

INSTALLATION INSTRUCTIONS

SAVE THESE INSTRUCTIONS

LPW2445 240 VOLT MODEL

It is **ALWAYS** recommended to order your unit with or without the thermostat for your particular application. If your unit has been ordered incorrectly please contact the factory for the nearest distributor or retailer in your area. Adding a built-in thermostat after installation is complicated and could result in creating wiring errors and shorting out this unit.

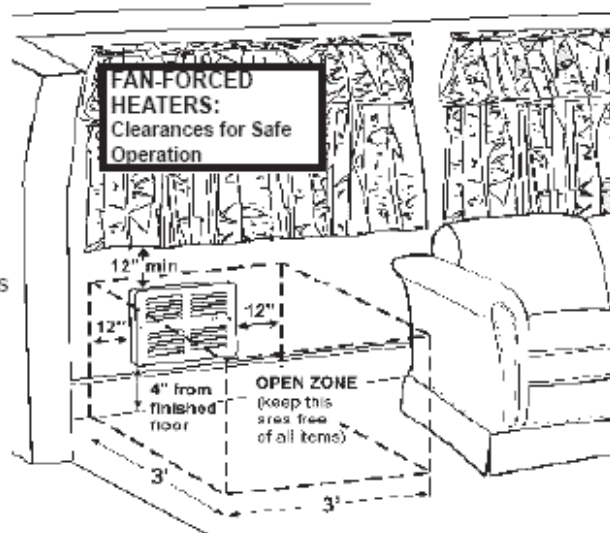
Instructions for wall mount heater using remote line voltage thermostat

It is **extremely important** to verify the electrical power supply is the same voltage as the heater you are installing. **240 and 120 Volt heaters are not interchangeable.** Powering a 240 Volt unit with 120 Volt supply wires will reduce the heater's output by approximately 75%. Powering a 120 Volt unit with 240 Volt supply wires will destroy the heater and voids all warranties.

WIRING NOTICE: For heaters without built-in thermostats - using remote or wall-mounted thermostats. The power **must** be brought to the heater first (not to the wall-mounted or remote thermostat). This is necessary to provide power for the fan to cool down the element after the thermostat has opened. Use single pole line voltage wall thermostat or switch to control this heater.

CAUTION: Open the circuit breaker supplying the heater before attempting installation, maintenance, or repairs. Lock or tag circuit breaker panel door. Failure to do so could result in serious electrical shock, burns, or possible death.

1. Remove heater contents from carton and check for shipping damage.
2. Remove grill by loosening the four mounting screws along the sides of the front panel.
3. Detach interior assembly from the wall can by removing the four screws along each side of the interior panel. Lift and tilt assembly away from the top of the wall can. Free the bottom edge from the metal lip inside the wall can. Place the interior assembly in a safe location until the wall can is mounted.
4. Remove one knockout from the wall can, and thread supply wires through the hole. Use an approved cable connector to prevent wires from chafing. Connect groundwire to green pigtail.
5. Mount heater wall can on wall studs a minimum of 6" from side wall and 10" from floor, using the holes provided in the sides of the box. The face of the box should be flush with the finished wall. Installation of the interior and grill to the wallbox cover an approximate 5/8" periphery along the outer area of the opening.
6. After wall can is secured, interior assembly leads may be attached to supply wires and interior secured to wall can. **NOTE:** The LPW wall heater is equipped with two steel elements having a capacity of 2250 Watts each, for a combined capacity of 4500 Watts. The heater is factory-wired at 4500 Watts. To adjust the heater for lower wattages remove the appropriate colored wire according to the illustration and wattage diagram provided on the back side of this sheet. Be sure to insulate and secure the unused lead.
7. Reinstall interior assembly on wall box using screws provided.
8. Mount grill to interior with screws provided.
9. Installation is now complete and the heater ready for use.



VISUAL ALARM

This heater includes a visual alarm to warn that parts of the heater are getting excessively hot. If the alarm flashes, immediately turn the heater off and inspect for any objects on or adjacent to the heater that may cause high temperatures. Do not operate the heater with the alarm flashing.

Maintenance & Warranty

The high quality and superior design of this unit will enable years of maintenance free performance. Once yearly, the heater should be checked for lint or dust accumulation but no further maintenance is required. The motor is permanently lubricated and sealed. A five-year warranty is provided on the Pic-A-Watt® element and 1-year on all materials, components and workmanship.

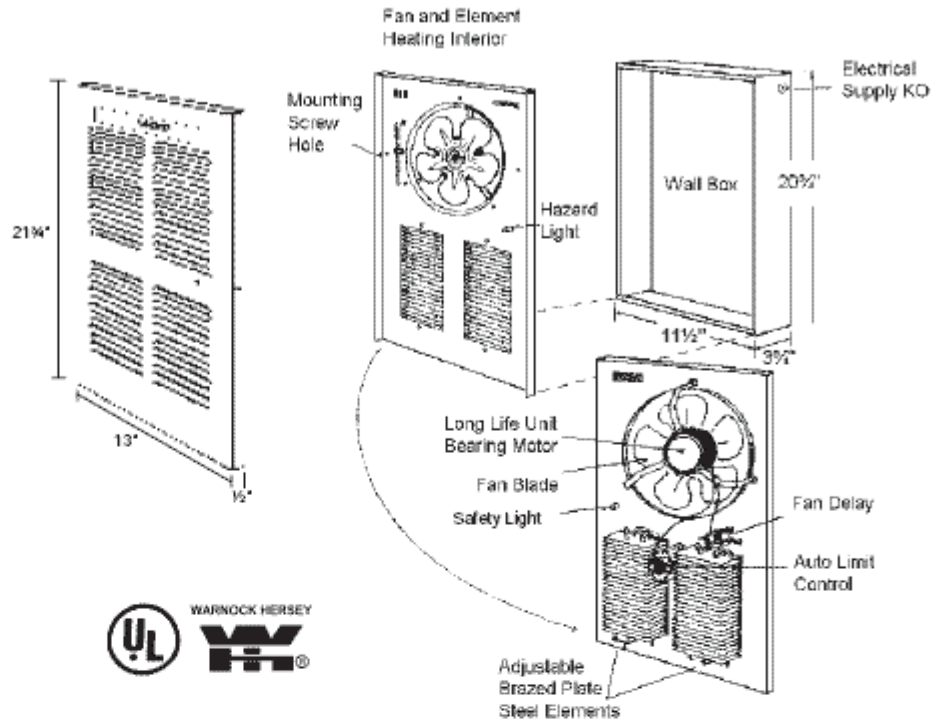
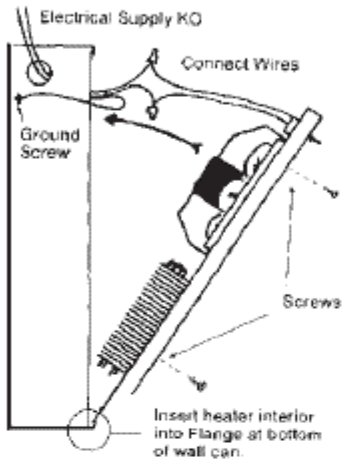
LPW2445.indd : 4/08

OWNERS GUIDE & INSTALLATION INSTRUCTIONS SHOULD BE LEFT WITH HEATER FOR HOME OWNER

INSTALLATION INSTRUCTIONS

SAVE THESE INSTRUCTIONS

This heater includes a visual alarm to warn that parts of the heater are getting excessively hot. If the alarm flashes immediately turn the heater off and inspect for any objects on or adjacent to the heater that may cause high temperatures.

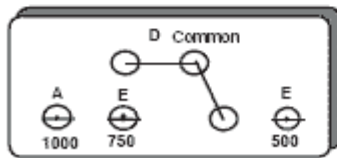
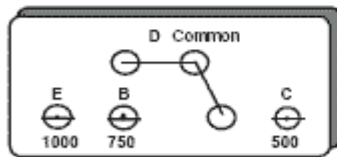


INSTALLATION INSTRUCTIONS

This heater is shipped from the factory wired for maximum wattage of 4500 Watts at 240 Volts. To reduce the wattage unplug (disconnect) an insulated push on terminal and wrap with electrical tape to prevent the possibility of electrical contact with other parts.

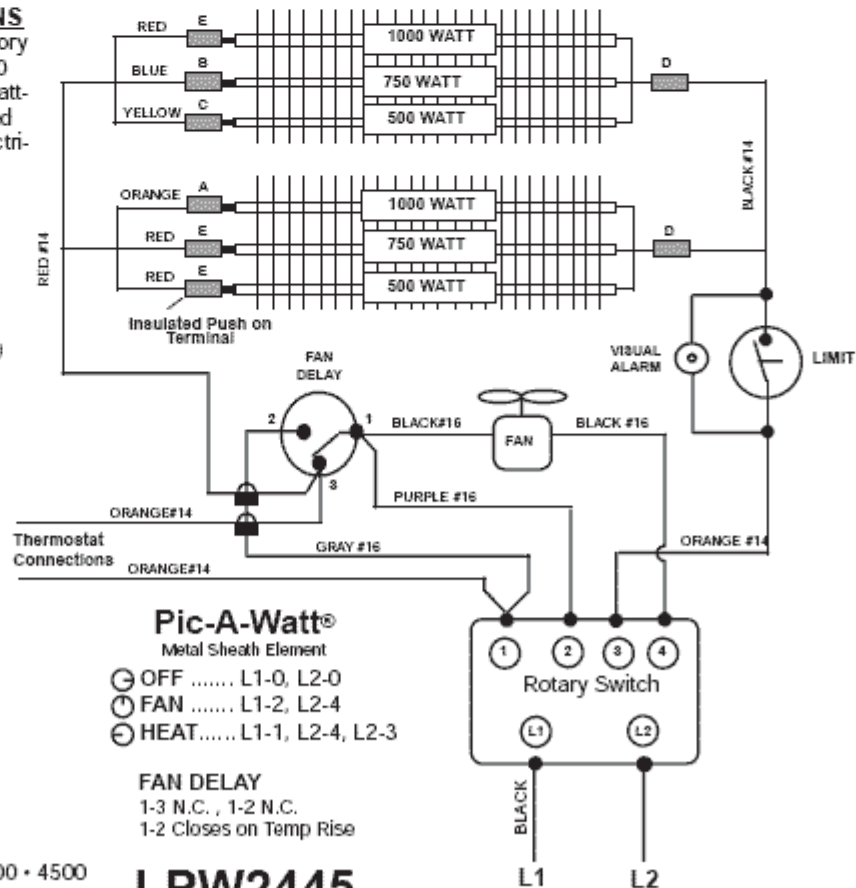
Field Wattage Selection

- A - ORANGE Disconnects 1000 Watts
- B - BLUE Disconnects 750 Watts
- C - YELLOW Disconnects 500 Watts
- D - BLACK Do Not Disconnect (Common)
- E - RED Do Not Disconnect



END VIEW OF ELEMENT SHOWING QUICK CONNECT TERMINALS

2250 • 2750 • 3000 • 3250 • 3750 • 4000 • 4500
WATTAGES AVAILABLE IN ONE UNIT



Pic-A-Watt® Metal Sheath Element

- ⊖ OFF L1-0, L2-0
- ⊙ FAN L1-2, L2-4
- ⊙ HEAT L1-1, L2-4, L2-3

FAN DELAY
1-3 N.C., 1-2 N.C.
1-2 Closes on Temp Rise

LPW2445

LPW2445.indd : 4/08