

# Compact Convection Cabinet Heater KCC Series



**Model Code:**

KCC	2/3/4	-24	20	-1	-R	-T	-DS1
A	B	C	D	E	F	G	H

**A:** Series  
**B:** Length  
**C:** 20 - 208V 24 - 240V  
 27 - 277V 48 - 480V  
**D:** Watts (20=2000 - 50=5000)  
**E:** -1 single phase -3 three phase  
**F:** Recess or Surface mount  
**G:** SP Stat  
**H:** Double Pole Disconnect Switch

- Convection Heat
- Quiet Running
- Aluminum fin element
- Powder-coated
- Standard color: almond (-A)
- Ceramic Element
- 18 gauge cabinet
- 1 or 3-phase
- Capillary tube limit
- 5-year limited warranty



## The KCC Series Cabinet Heater



The King heavy KCC cabinet heater can be placed almost anywhere. Typical uses are hall or entryways where a deep cabinet heater would be too intrusive. The slim design is great for schools, office, air terminals, auditoriums, apartments, restaurants, churches, factory's, theaters and other locations where a clean impact resistant 18 gauge construction and entry way or comfort heating is needed. The KCC uses the time tested ceramic core heating elements that King developed over 50 years ago and have a very long life. Available in a slim 4" surface mount or the recess in wall installation. A sub-base is available when installing close to the floor to fill the gap. Thermostats, Contactors and Disconnect switches are available as options. Textures powder coated finish in an almond color.

### Ordering Information \*Add suffix 1-for single phase, 3-for three phase      \*Add suffix R-for recessed mount, S-for surface mount

	MODEL	VOLTS	WATTS	(1ph) AMPS	(3ph)	BTUH(000)	LENGTH	SHIP WEIGHT lbs
208V	KCC2-2020-*	208	2000	9.6	5.6	6.8	24"	30
	KCC3-2030-*	208	3000	14.4	8.3	10.2	36"	40
	KCC4-2040-*	208	4000	19.2	11.1	13.6	48"	50
	KCC4-2050-*	208	5000	24	13.9	17	48"	50
240V	KCC2-2420-*	240	2000	8.3	4.8	6.8	24"	30
	KCC3-2430-*	240	3000	12.5	7.2	10.2	36"	40
	KCC4-2440-*	240	4000	16.7	9.6	13.6	48"	50
	KCC4-2450-*	240	5000	20.8	12.0	17	48"	50
277V	KCC2-2720-*	277	2000	7.2	n/a	6.8	24"	30
	KCC3-2730-*	277	3000	10.3	n/a	10.2	36"	40
	KCC4-2740-*	277	4000	14.4	n/a	13.6	48"	50
	KCC4-2750-*	277	5000	18	n/a	17	48"	50
480V	KCC2-4820-*	480	2000	4.2	2.4	6.8	24"	30
	KCC3-4830-*	480	3000	6.5	3.6	10.2	36"	40
	KCC4-4840-*	480	4000	8.3	4.8	13.6	48"	50
	KCC4-4850-*	480	5000	10.4	6	17	48"	50

## Engineering Specifications

*Contractor shall supply and install KCC Series cabinet heaters manufactured by King Electrical Mfg. Company. Heaters shall be of the wattage and voltage as indicated on the plans.*

**Construction:** Heaters shall be constructed in 18 gauge galvanized Steel with epoxy powder-coated manufacturer's standard finish. A louvered front cover with intake and outlet grille will protect element area and provide ample air flow to dissipate heated air.

**Element:** The superior performance comes from the proven technology of the ceramic thermal storage heater core. A 7/8" diameter aluminum tube is filled with a special high density ceramic that stores the thermal energy. The oversized fins (4.875 in<sup>2</sup>) are made from durable (0.015" thick) high grade aluminum which produces better heat transfer than other elements. The benefit of the technology comes when the thermostat

is turned off and the element continues to radiate heat.

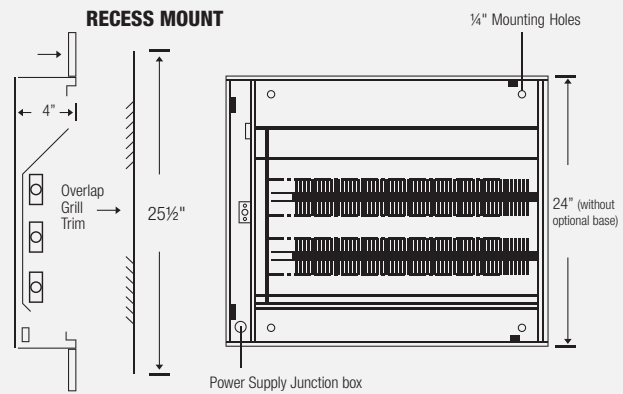
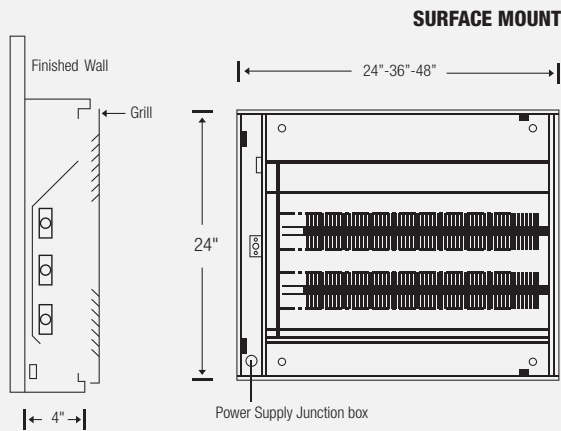
It also reduces temperature swings by heating and cooling more evenly. A fired refractory ceramic core with two large diameter Nickel Chromium coils attached with high temperature Nickel connectors and stranded Nickel wire, terminated in a junctionbox.

**Controls:** A built-in thermal cutout shall automatically shut off the heater in case of overheating. A built-in thermostat for temperature control will have a range from 40° - 95°F and be of the high accuracy capillary tube-type. Disconnect switches in junctionbox will be provided if necessary.

**Approvals:** cULus

# Compact Convection Cabinet Heater KCC Series

## Mounting Data

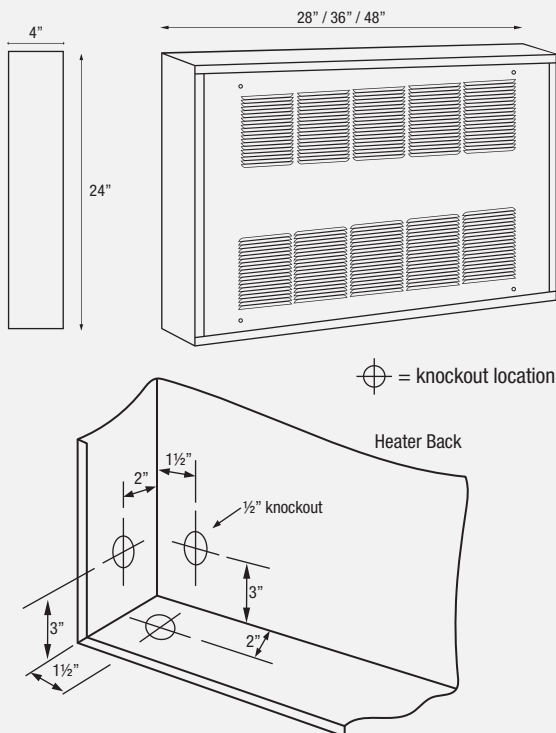


**MOUNTING NOTE:** 1" minimum mounting height from finished floor to allow clearance for the grill overlap.

## Control Options

- A line voltage terminal block can be provided for wiring to a remote line voltage thermostat.
- A power contactor with line voltage coil can be provided to remotely switch the heater.
- A power contactor and 24V transformer can be provided to remotely switch the heater.
- A 3-position switch can be provided for manual HEAT/FAN/OFF control.
- A 2-Pole Disconnect switch can be provided for 1-Phase heaters.
- A 3-Pole Disconnect can be provided for 3-Phase heaters.
- A floor sub-base can be provided for direct floor contact.
- A built-in 1-Pole thermostat can be provided for convenience.
- A built-in 2-Pole thermostat can be provided for convenience.
- A tamperproof built-in thermostat can be provided without a knob, temperature adjustments are made with a screw driver.

## Dimensional Data



## Control Options

ADD SUFFIX	DESCRIPTION
-RT	Line Voltage Terminal Block
-CX	Power Contactor
-RT24	24 Volt Contactor & Transformer
-3PS	3-Position Switch
-DS1	Double Pole Disconnect Switch (1-Phase)
-DS3	Three Pole Disconnect Switch (3-Phase)
-SB-24	Subbase - 24", 2" tall, 3" deep
-SB-36	Subbase - 36", 2" tall, 3" deep
-SB-48	Subbase - 48", 2" tall, 3" deep
-T	25 Amp Single Pole Thermostat (not tamperproof)
-T2	25 Amp Double Pole Thermostat (not tamperproof)
-TP	25 Amp Tamperproof (stotted shaft), single pole

## Highmass Ceramic Element

