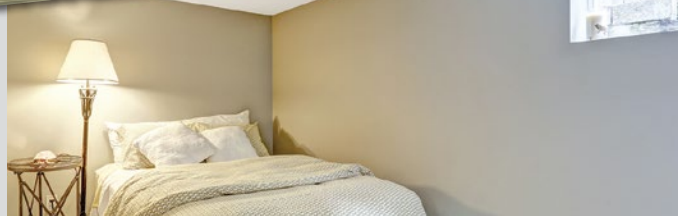
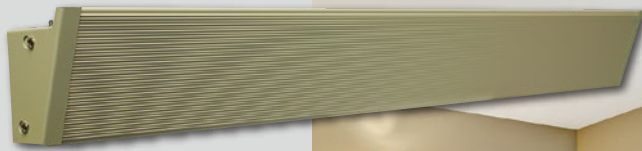


Cove Heater KCV Series



Model Code:

KCV	12	10
A	B	C
A: Series		
B: 12 - 120V 20 - 208V		
24 - 240V		
C: Watts (210 - 1800)		



- Radiant & Convection Heat
- Long Life Elements
- Silent Running
- Junction box at each end
- Extruded aluminum front panel
- Powder coated high temp. finish
- Easy surface-mount installation
- Ribbed front for maximum surface radiation
- Open-back design for maximum convection
- 1/2" diameter knockouts for 1/2" conduit
- Standard color: almond (white optional)
- 2-year limited warranty



The KCV Series Cove Heater

The **KCV cove heater** is a radiant heater that also produces convection heat by heating the air similar to a baseboard. By combining the quick comfort of radiant heat along with the sustained warmth of convection heat, warm air is uniformly dispersed throughout the room. The cove heater is mounted near the ceiling, eliminating furniture placement problems. Surface temperatures are lower than baseboard or fan heaters, making a pleasant form of heat similar to older ceiling cable heating systems. With no moving parts this heater is quiet and maintenance free. Typical uses are day care centers, assisted living housing, housing developments, laundry rooms, bathrooms, bedrooms.

Ordering Information

	MODEL	UPC	VOLTS	COLOR	WATTS	AMPS	LENGTH	SHIP WEIGHT lbs
120V	KCV1202	11801	120	ALMOND	210	1.8	24"	5.5
	KCV1202W	11802	120	WHITE	210	1.8	24"	5.5
	KCV1204	11800	120	ALMOND	420	3.5	34"	6.7
	KCV1204W	11799	120	WHITE	420	3.5	34"	6.7
	KCV1206	11803	120	ALMOND	560	4.7	47"	9.3
	KCV1206W	11804	120	WHITE	560	4.7	47"	9.3
	KCV1207	11806	120	ALMOND	700	5.8	59"	11.2
	KCV1207W	11807	120	WHITE	700	5.8	59"	11.2
	KCV1209	11808	120	ALMOND	840	7.0	71"	11.2
	KCV1209W	11809	120	WHITE	840	7.0	71"	11.2
	KCV1210	11812	120	ALMOND	935	7.8	83"	15.3
	KCV1210W	11813	120	WHITE	935	7.8	83"	15.3
	KCV1212	11815	120	ALMOND	1125	9.4	94"	16.8
	KCV1212W	11814	120	WHITE	1125	9.4	94"	16.8
208V	KCV1215	11810	120	ALMOND	1400	11.7	118"	26.0
	KCV1215W	11811	120	WHITE	1400	11.7	118"	26.0
	KCV2004	11816	208	ALMOND	420	2.0	34"	6.7
	KCV2004W	11818	208	WHITE	420	2.0	34"	6.7
	KCV2006	11817	208	ALMOND	560	2.7	47"	9.3
	KCV2006W	11825	208	WHITE	560	2.7	47"	9.3
	KCV2007	11819	208	ALMOND	700	3.4	59"	11.2
	KCV2007W	11826	208	WHITE	700	3.4	59"	11.2
	KCV2009	11820	208	ALMOND	840	4.0	71"	13.1
	KCV2009W	11828	208	WHITE	840	4.0	71"	13.1
	KCV2010	11821	208	ALMOND	935	4.5	83"	15.3
	KCV2010W	11829	208	WHITE	935	4.5	83"	15.3
	KCV2012	11822	208	ALMOND	1125	5.4	94"	16.8
	KCV2012W	11831	208	WHITE	1125	5.4	94"	16.8
KCV2015	11823	208	ALMOND	1400	6.7	118"	21.2	
KCV2015W	11832	208	WHITE	1400	6.7	118"	21.2	
KCV2018	11795	208	ALMOND	1800	8.7	118"	21.2	
KCV2018W	11796	208	WHITE	1800	8.7	118"	21.2	

Cove Heater KCV Series

Ordering Information

240V

MODEL	UPC	VOLTS	COLOR	WATTS	AMPS	LENGTH	SHIP WEIGHT lbs
KCV2404	11824	240/208*	ALMOND	420/315	1.8/1.5	34"	6.7
KCV2404W	11834	240/208*	WHITE	420/315	1.8/1.5	34"	6.7
KCV2406	11827	240/208*	ALMOND	560/420	2.3/2.0	47"	9.3
KCV2406W	11835	240/208*	WHITE	560/420	2.3/2.0	47"	9.3
KCV2407	11830	240/208*	ALMOND	700/525	2.9/2.5	59"	11.2
KCV2407W	11837	240/208*	WHITE	700/525	2.9/2.5	59"	11.2
KCV2409	11833	240/208*	ALMOND	840/630	3.5/3.0	71"	13.1
KCV2409W	11840	240/208*	WHITE	840/630	3.5/3.0	71"	13.1
KCV2410	11836	240/208*	ALMOND	935/701	3.9/3.4	83"	15.3
KCV2410W	11841	240/208*	WHITE	935/701	3.9/3.4	83"	15.3
KCV2412	11839	240/208*	ALMOND	1125/844	4.7/4.0	94"	16.8
KCV2412W	11838	240/208*	WHITE	1125/844	4.7/4.0	94"	16.8
KCV2415	11842	240/208*	ALMOND	1400/1050	5.8/5.0	118"	26.0
KCV2415W	11844	240/208*	WHITE	1400/1050	5.8/5.0	118"	26.0
KCV2418	11843	240/208*	ALMOND	1800/1350	7.5/6.5	118"	26.0
KCV2418W	11798	240/208*	WHITE	1800/1350	7.5/6.5	118"	26.0

*Dual rated heaters will draw 13% less amps and 25% less wattage when operated at 208V.

Engineering Specifications

Construction:

- Constructed of extruded aluminum with a maximum cross section thickness of .962".
- With sawtooth profile to increase radiating surface area.
- Open on top and bottom for maximum convection heating room air.
- With 32 cubic inch junction box at both ends, furnished with 1/2" knockouts on back and top.
- Ni-Chrome wire embedded in Magnesium Oxide powder enclosed and sealed in aluminum sheath.

- Element wattage density of approximately 150 watts per linear foot.
- With full length back case constructed of 22 gauge electrogalvanized steel with baked enamel finish.
- Two year limited warranty.

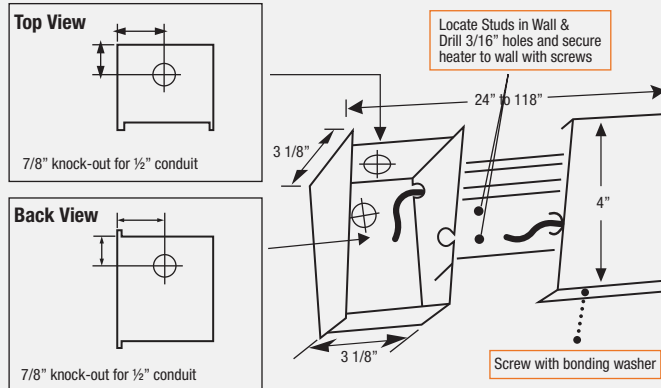
Ratings and Approvals:

- The heaters shall be available in ratings from 250 - 1800 watts at 120 and 208/240 Volts.
- cULus

Accessories/Options

MODEL	DESCRIPTION	WEIGHT lbs
KCVT-1R	Single Pole Right side wiring thermostat	.25
KCVT-1L	Single Pole left side wiring thermostat	.25
KCVT-2R	Double Pole Right side wiring thermostat	.25
KCVT-2L	Double Pole Left side wiring thermostat	.25
-04-09	Joint Cover (To Combine 2 KCVs) Almond	.09
-04-09-W	Joint Cover (To Combine 2 KCVs) White	.09
-W	White	N/A

Dimensional Data



MINIMUM CLEARANCE

Heaters are not to be mounted closer than 2 1/2" from drywall ceiling or 6" from vinyl or drop ceiling.
Heaters to be mounted at least 6 feet from floor.

