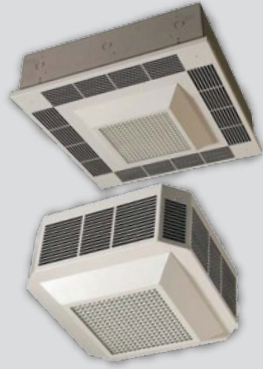




# Commercial Ceiling Heater KDS Series



## Model Code:

KDS	A	24	20
A	B	C	D

A: Series

B: A=Surface R=Recessed mount

C: 20 - 208V 24 - 240V

27 - 277V 48 - 480V

D: Watts (20=2000 - 100=10000)

E: -1 single phase -3 three phase



- Totally enclosed fan and lifetime-lubricated ball bearing motor
- Three stainless steel tubular heating elements with aluminum fins
- High-limit temperature control with automatic reset
- Fan delay purges heater of residual heat
- Installation recessed into a T-bar ceiling for KDSR units
- Installation surface mounted for KDSA or KDSB units
- Recommended installation height: 8-12 ft. (2.4-3.6m)
- Standard color: white (-BW) (Almond optional)
- Built-in contactor for: all units at 347V, 480V, 600V, all units from 5-10 kW, and all units at 3-Phase
- Continuous circulation controlled by a built in switch (with power-on indicator light (-CV))
- 208V, 240V, 277V, 347V, 480V, 600V, 1 or 3-Phase
- Standard finish: epoxy/polyester powder paint
- Outlet grill made of flat ribbon wire
- 1-year warranty against defects, 10-year on element

## The KDS Series Ceiling Heater

Designed for ceiling mount, this unit heater provides a high level of comfort. Driven by a powerful motor, the fan creates circulation by blowing downward warm air accumulation near ceilings.

## Specifications

*Contractor shall supply and install KDS Series electric heaters of the wattage and voltage as indicated on the plans.*

**Color:** Standard: white, almond. Optional: Almond, metallic silver, bronze, metallic charcoal, aluminum, semi-gloss black. Custom colors available upon request.

**Finish:** Standard: epoxy/polyester powder paint.

**Voltage:** 208V, 240V, 277V, 347V, 480V, 600V, 1 or-3 phase.

**Construction:** Grill made of flat ribbon wire. High-limit temperature control with automatic reset.

**Fan:** Totally enclosed and lifetime-lubricated ball bearing motor. Fan delay purges heater of residual heat.

**Heating element:** Three stainless steel tubular heating elements with aluminum fins.

**Warranty:** 1-year warranty against defects. 10-year warranty on the heating elements.

**Control:** Line voltage control standard. Built-in 240V contactor for: all units from 5 to 10kW, all units at 347V, 480V, 600V, all units at 3-phase. 24V and 120V control circuit available. Built-in tamperproof thermostat available. 24V relay (with or without transformer) available. Continuous circulation controlled by a built-in switch with power-on indicator light available (-CV). Any remote thermostat or relay must be connected to the heater control terminal block. 4

**Installation:** Recommended height: between 8 ft. (2.4 m) and 12 ft. (3.6 m). Recessed into insulated or T-bar ceiling (KDSR). Surface mounting (KDSA and KDSB).

**Application:** Apartment building, commercial building, drop ceiling, stairwell, garage.

# Commercial Ceiling Heater KDS Series

## Ordering Information \*Add suffix -A for optional almond color

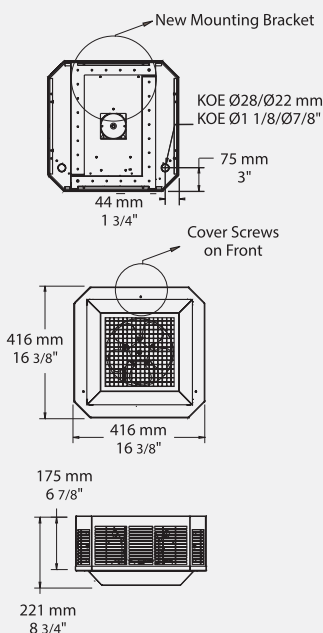
	<b>SURFACE MODEL</b> <i>KDSA</i>	<b>UPC</b>	<b>RECESS MODEL</b> <i>KDSR</i>	<b>UPC</b>	<b>SURFACE MODEL</b> <i>KDSB</i>	<b>UPC</b>	<b>VOLTS</b> <i>1ph</i>	<b>WATTS</b>
<b>240V</b>	KDSAU2420-1	30850	KDSRU2420-1	30906			240	2000
	KDSAU2430-1	30852	KDSRU2430-1	30908			240	3000
	KDSAU2440-1	30854	KDSRU2440-1	30910			240	4000
	KDSAU2450-1	30856	KDSRU2450-1	30912			240	5000
					KDSBU2475-1	30962	240	7500
				KDSBU24100-1	30964	240	10000	
<b>208V</b>	KDSAU2020-1	30858	KDSRU2020-1	30914			208	2000
	KDSAU2030-1	30860	KDSRU2030-1	30916			208	3000
	KDSAU2040-1	30862	KDSRU2040-1	30918			208	4000
	KDSAU2050-1	30864	KDSRU2050-1	30920			208	5000
					KDSBU2075-1	30966	208	7500
				KDSBU20990-1	30968	208	9900	
<b>277V</b>	KDSAU2720-1	30866	KDSRU2720-1	30922			277	2000
	KDSAU2730-1	30868	KDSRU2730-1	30924			277	3000
	KDSAU2740-1	30870	KDSRU2740-1	30926			277	4000
	KDSAU2750-1	30872	KDSRU2750-1	30928			277	5000
					KDSBU2775-1	30970	277	7500
				KDSBU27100-1	30972	277	10000	
<b>480V</b>	KDSAU4820-1	30874	KDSRU4820-1	30930			480	2000
	KDSAU4830-1	30876	KDSRU4830-1	30932			480	3000
	KDSAU4840-1	30878	KDSRU4840-1	30934			480	4000
	KDSAU4850-1	30880	KDSRU4850-1	30936			480	5000
					KDSBU4875-1	30974	480	7500
				KDSBU48100-1	30976	480	10000	
	<b>SURFACE MODEL</b> <i>KDSA</i>	<b>UPC</b>	<b>RECESS MODEL</b> <i>KDSR</i>	<b>UPC</b>	<b>SURFACE MODEL</b> <i>KDSB</i>	<b>UPC</b>	<b>VOLTS</b> <i>3ph</i>	<b>WATTS</b>
<b>240V</b>	KDSAU2420-3	30882	KDSRU2420-3	30938			240	2000
	KDSAU2430-3	30884	KDSRU2430-3	30940			240	3000
	KDSAU2440-3	30886	KDSRU2440-3	30942			240	4000
	KDSAU2450-3	30888	KDSRU2450-3	30944			240	5000
					KDSBU2475-3	30978	240	7500
				KDSBU24100-3	30980	240	10000	
<b>208V</b>	KDSAU2020-3	30890	KDSRU2020-3	30946			208	2000
	KDSAU2030-3	30892	KDSRU2030-3	30948			208	3000
	KDSAU2040-3	30894	KDSRU2040-3	30950			208	4000
	KDSAU2050-3	30896	KDSRU2050-3	30952			208	5000
					KDSBU2075-3	30982	208	7500
				KDSBU20990-3	30984	208	9900	
<b>480V</b>	KDSAU4820-3	30898	KDSRU4820-3	30954			480	2000
	KDSAU4830-3	30900	KDSRU4830-3	30956			480	3000
	KDSAU4840-3	30902	KDSRU4840-3	30958			480	4000
	KDSAU4850-3	30904	KDSRU4850-3	30960			480	5000
					KDSBU4875-3	30986	480	7500
				KDSBU48100-3	30988	480	10000	

# Commercial Ceiling Heater KDS Series

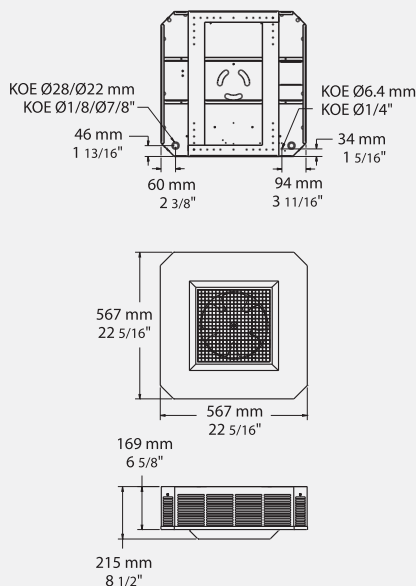
## Dimensional Data

⊕ = knockout location

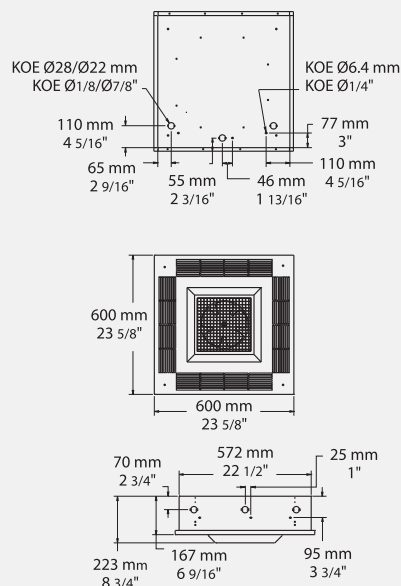
### KDSA - Surface 2-5kW, 25 lbs (11.4 kg)



### KDSB - Surface 7.5-10kW, 34 lbs (15.5 kg)



### KDSR - Recessed 2-5kW, 31 lbs (14.1 kg)



## Control Options

MODEL	DESCRIPTION
Product no-RT	Factory installed (Only) 24V relay with transformer
Product no-R	Factory installed 24V relay without transformer
Product no-120	Factory installed 120V control circuit
Product no -RCV24	Factory installed summer fan 24V remote control + pilot light (switch not included)
Product no -RCV240	Factory installed summer fan 240V remote control + pilot light (switch not included)
KDSA-T-BAR KDSB-T-BAR	Adapter for T-bar ceiling (KDSA/KDSB kits)
Product no-CV	Factory installed summer fan switch + pilot light
Product no -DIS20	Factory installed disconnect switch 277V and less, double pole, 20 Amp
Product no -DIS40	Factory installed disconnect switch 600V max, three pole, 40 Amp
Product no -DIS80	Factory installed disconnect switch 600V, three pole, 80 Amp
KDS-T-AV	Built-in tamper-proof thermostat kit
Product #-T-AV	Factory installed built-in tamper-proof thermostat

## Options

ADD SUFFIX	DESCRIPTION
-A	Almond color
-AE	Metallic Silver color (10% up-charge applies)
-BZ	Bronze color (10% up-charge applies)
-CM	Metallic Charcoal color (10% up-charge applies)
-AL	Aluminum color (10% up-charge applies)
-NL	Semi-Gloss Black (10% up-charge applies)
-BW	White