



# Portable Baseboard KP/KPH Series



### Model Code:

KP	12	10
A	B	C

A: Series  
B: Volts 120V  
C: Watts 1000



- Aluminum finned element
- Convection Heat
- All angle tip-over switch
- 6 ft. cord w/ grounded plug, 120V
- Baked enamel finish
- Molded base feet
- Carrying handle on back
- Standard Color: white
- Full length safety cutout
- Quiet running
- Pilot light
- Built in thermostat
- 1-year limited warranty

## The KP/KPH Series Portable Baseboard Heater

A portable baseboard is an easy way to add supplementary heat to any room. Baseboards are quiet and trouble-free. A tip-over switch is standard so if the heater is knocked over it will automatically shut off. A built-in thermostat and a 6 foot, 3-wire grounded outlet plug for additional safety are provided. This heater is so rugged it is approved for U.S. government contracts.

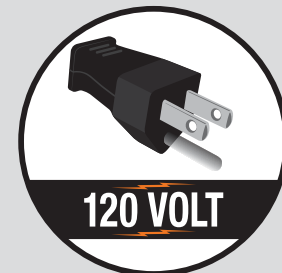
### Ordering Information

MODEL	UPC	VOLTS	WATTS	AMPS	LENGTH	SHIP WEIGHT lbs
KP1210	10142	120	1000	8.3	4 ft.	11.5
KPH1210	10143	120	1000	8.3	3 ft.	9.0

### Engineering Specifications

Approvals: UL (E29778)

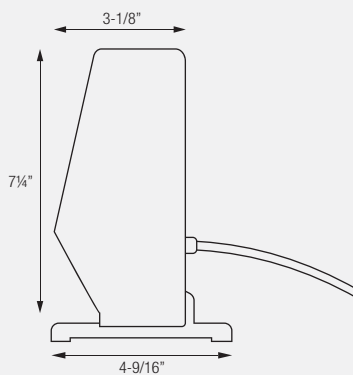
### Plug Configurations



120 VOLT

NEMA 5-15P

### Dimensional Data



### Crush Proof Design

