

Portable Baseboard KP Series



Model Code:

| | | |
|---------------|----|----|
| KP | 12 | 10 |
| A | B | C |
| A: Series | | |
| B: Volts 120V | | |
| C: Watts 1000 | | |



- Aluminum finned element
- Convection Heat
- All angle tip-over switch
- 6 ft. cord w/ grounded plug, 120V
- Baked enamel finish
- Molded base feet
- Carrying handle on back
- Standard Color: white
- Full length safety cutout
- Quiet running
- Pilot light
- Built in thermostat
- 1-year limited warranty

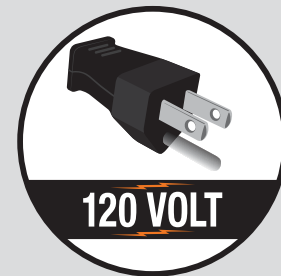
The KP Series Portable Baseboard Heater

A portable baseboard is an easy way to add supplementary heat to any room. Baseboards are quiet and trouble-free. A tip-over switch is standard so if the heater is knocked over it will automatically shut off. A built-in thermostat and a 6 foot, 3-wire grounded outlet plug for additional safety are provided. This heater is so rugged it is approved for U.S. government contracts.

Ordering Information

| MODEL | UPC | VOLTS | WATTS | AMPS | LENGTH | SHIP WEIGHT lbs |
|---------|-------|-------|-------|------|--------|-----------------|
| KP1210 | 10142 | 120 | 1000 | 8.3 | 4 ft. | 11.5 |
| KPH1210 | 10143 | 120 | 1000 | 8.3 | 3 ft. | 9.0 |

Plug Configurations



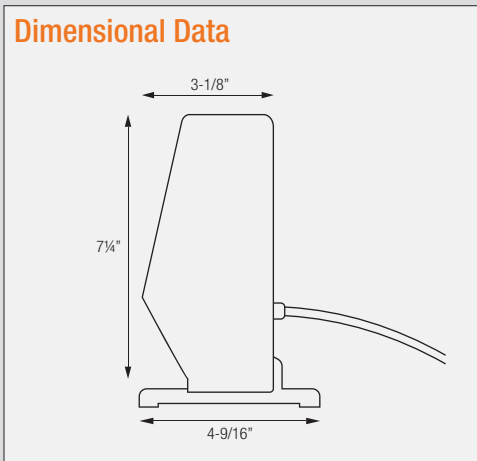
120 VOLT

NEMA 5-15P

Engineering Specifications

Approvals: UL (E29778)

Dimensional Data



Crush Proof Design

