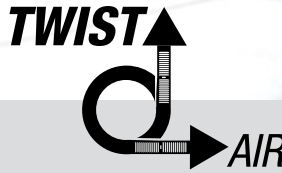




Multi-Watt Horizontal/Vertical Heater KTW Series



Convertible design for both vertical and horizontal applications



Model Code:

KTW	12	15	-HLS	-RGB	-T
A	B	C	D	E	F

A: Series
 B: 12 - 120V 24 - 240V
 C: Watts (250 to 1500)
 D: High/Low Switch
 E: Grill Style
 F: Thermostat (optional)



- Triple Coil Nichrome Element
- C-Frame Motor
- Squirrel Cage Blower
- Patented Smart Limit Protection®
- 20 Gauge Powder Coated Grill
- 7 Wattages in one heater
- Standard Color: Black, (optional almond, white or stainless)
- Low Profile
- 120 or 240 volts
- 2-year limited warranty

Horizontal / Vertical Heater

King introduces another first. The only convertible cabinet heater that can be installed either vertically or horizontally on the market. This narrow profile heater is only 3-5/8" tall and specifically designed to fit into kitchen or bathroom cabinets, providing warm comfortable air for a cold bathrooms or kitchens saving valuable floor and wall space. For application other than kickspace, use the KTW-TG Grill.

Ordering Information

	MODEL	UPC	COLOR	VOLTS	WATTS	AMPS	SHIP WEIGHT lbs
120V	KTW1215-RGB	20597	BLACK	120	1500	12.5	11
	KTW1215-HLS-TGW	20599	WHITE	120	1500	12.5	11
	KTW1215-HLS-TGSS	20601	STAINLESS STEEL	120	1500	12.5	11
	KTW1215-HLS-NG	20611	NO GRILLE	120	1500	12.5	10
240V	KTW2415-RGB	20598	BLACK	240/208*	1500/1125*	6.3/5.5	11
	KTW2415-HLS-TGW	20600	WHITE	240/208*	1500/1125*	6.3/5.5	11
	KTW2415-HLS-NG	20612	NO GRILLE	240/208*	1500/1125*	6.3/5.5	10

*Dual rated heaters will draw 13% less amps and 25% less wattage when operated at 208V.

Engineering Specifications

Contractor shall supply and install, KTW Series limited space forced-air electric heaters, manufactured by King Electrical Mfg. Company. Heaters shall be of the wattage and Voltage as indicated on the plans.

Ratings: Heaters shall be available in wattages of 250 to 1,500 at 120 volts or dual rated from 208 volts to 240 volts.

Blower and Motor: A tangential cylindrical blower, delivering 70 CFM, shall be driven by a shaded pole, permanently lubricated, C-frame type motor with impedance protection and sealed bearings. Motors shall be the same voltage as the heater.

Elements: Element assemblies shall have a 3-wattage element construction of coiled nickel chromium, alloy corrosion resistant wire strung with a minimum of two rows of muscovite insulator. Element assemblies shall have factory provided connection to allow field modification of wattage at time of installation.

Thermal Overload: Heaters shall be equipped with King's patented thermal overload Smart Limit Protection®, which disconnects elements and motor in the event normal operating temperatures are exceeded.

If thermal overload trips due to abnormal operating temperatures, thermal overload shall remain open until manually reset by turning the heater off for fifteen minutes. Automatic reset of thermal overloads, which allow the element to continue to cycle under abnormal conditions, will not be accepted.

Hi/Lo selector switch: Wattage can be adjusted from 250-1250 watts in the low position and 750-1500 watts in the hi position.

Wall Can: The wall can shall be 20-gauge steel and shall contain two 1/2" knockouts for power leads. The wall can shall be supplied with a factory installed grounding wire.

Grill: The grill shall be louvered, one piece design. The grill shall be epoxy powder coated in the color specified on the plans or stainless steel.

Approval: cULus (E41422)

Multi-Watt Horizontal/Vertical Heater KTW Series

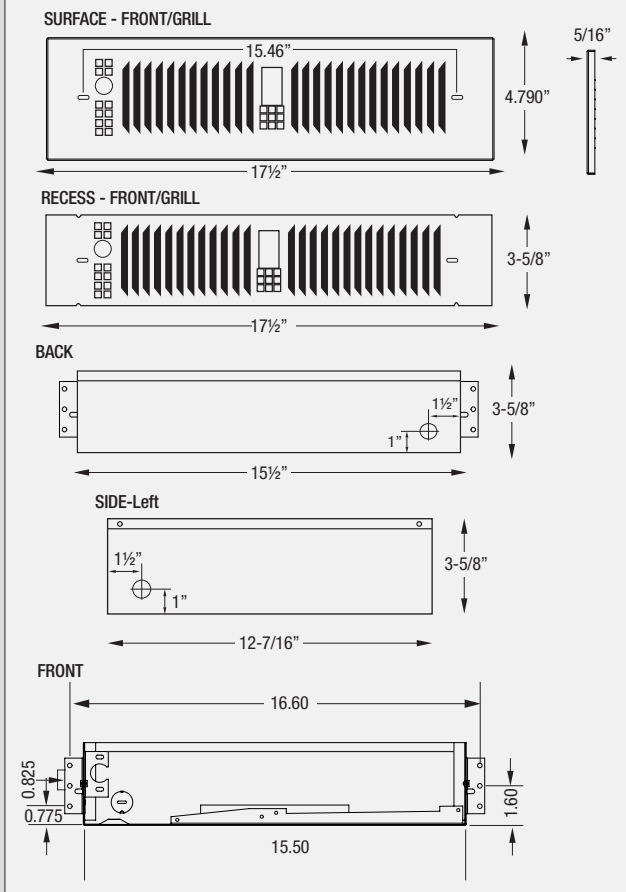
Accessories *Separately Packaged

MODEL	UPC	DESCRIPTION	WEIGHT lbs
KTW-HLS	20576	Hi-Lo wattage Selector Switch Kit Assembly	0.4
KTW-RGA	20577	Recess Grill, Almond	1.0
KTW-RGB	20578	Recess Grill, Black	1.0
KTW-RGSS	20579	Recess Grill, Stainless Steel	1.0
KTW-RGW	20580	Recess Grill, White	1.0
KTW-TGA	20581	Trim Grill, Almond	1.0
KTW-TGB	20582	Trim Grill, Black	1.0
KTW-TGSS	20583	Trim Grill, Stainless Steel	1.0
KTW-TGW	20584	Trim Grill, White	1.0
TKIT-1BW	20654	Built-in Single Pole Single Throw Thermostat Kit, Bright White	0.5
TKIT-2BW	20655	Built-in Double Pole Single Throw Thermostat Kit, Bright White	0.5
TKIT-1	11058	Built-in Single Pole Single Throw Thermostat Kit, Almond	0.5
TKIT-2	11059	Built-in Double Pole Single Throw Thermostat Kit, Almond	0.5

Internal View of the KTW



Dimensional Data - KTW



Location for Heater: KTW

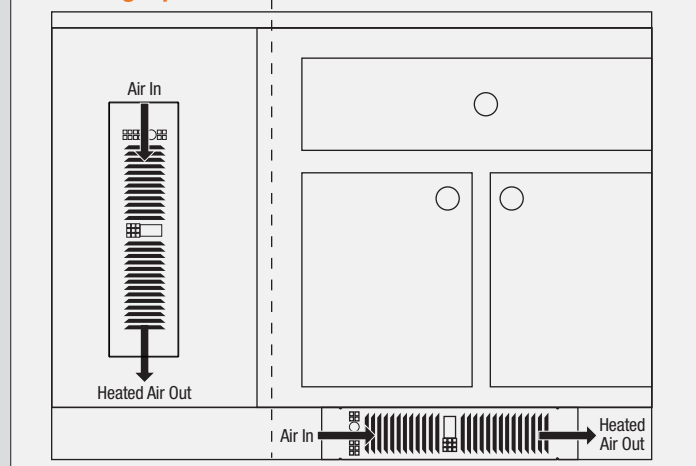
This heater has been designed to allow it to be recessed at floor level in the toe space of cabinets or under counters or at the base of walls.

Minimum Clearance In Wall, Vertical Installation

When placed in a wall or a filler section of a cabinet.

Front	Top	Bottom	Sides
36"	0"	2"	0"
91cm	0cm	5cm	0cm

Mounting Options



Minimum Clearance In Toe Space Installation

When placed in a wall or a filler section of a cabinet.

Front	Top	Bottom	Sides
36"	0"	0"	6"
91cm	0cm	0cm	15.24cm