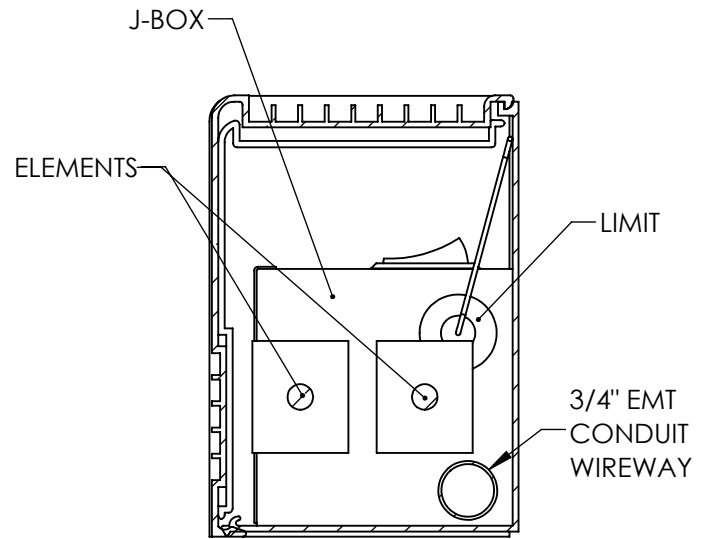
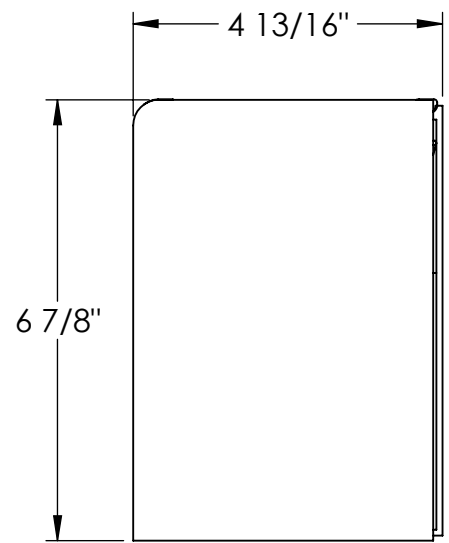
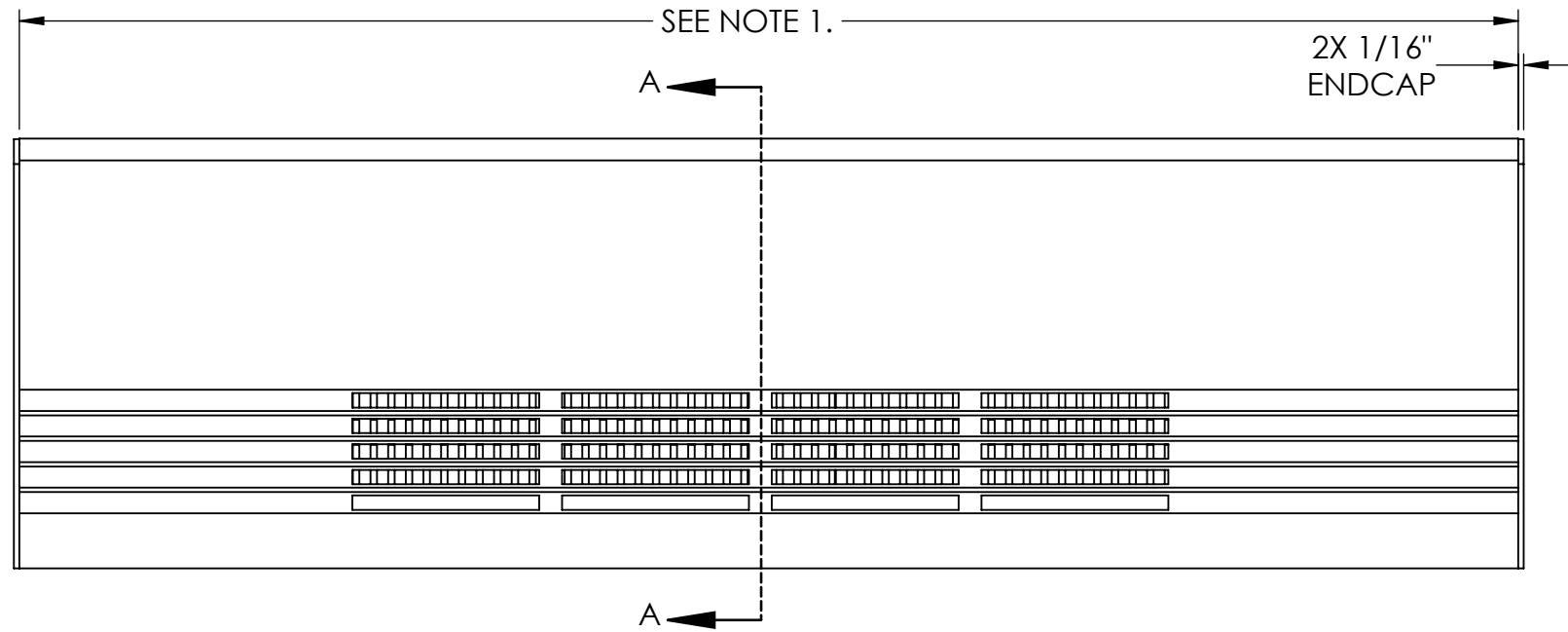
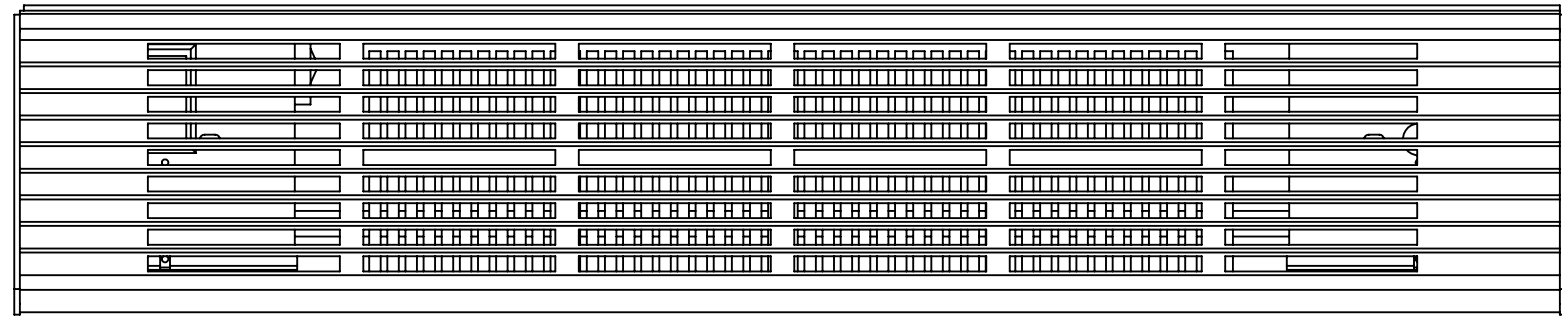


REVISIONS			
REV.	DESCRIPTION	DRAWN	APPROVED
-	INITIAL RELEASE	BR 05/23/18	



SECTION A-A
SCALE 1 : 3

NOTES: UNLESS OTHERWISE SPECIFIED
 1. STANDARD LENGTHS IN 1' INCREMENTS FROM 2'-12';
 CUSTOM LENGTHS ALSO AVAILABLE

UNLESS OTHERWISE SPECIFIED: DIMENSIONS ARE IN INCHES TOLERANCES: ANGULAR: ±1° TWO PLACE DECIMAL ±.03 THREE PLACE DECIMAL ±.015 SURFACES: ✓ MATERIAL:	NAME	DATE
	DRAWN B. REYNOLDS	05/23/18
	CHECKED	
	ENG APPR.	
	MFG APPR.	
	Q.A.	
	COMMENTS:	

king Electrical Mfg.
 9131 10th Ave S.
 Seattle, WA 98108

DESCRIPTION:
LBF ASSEMBLY

SIZE	PART NO.	REV
B		-

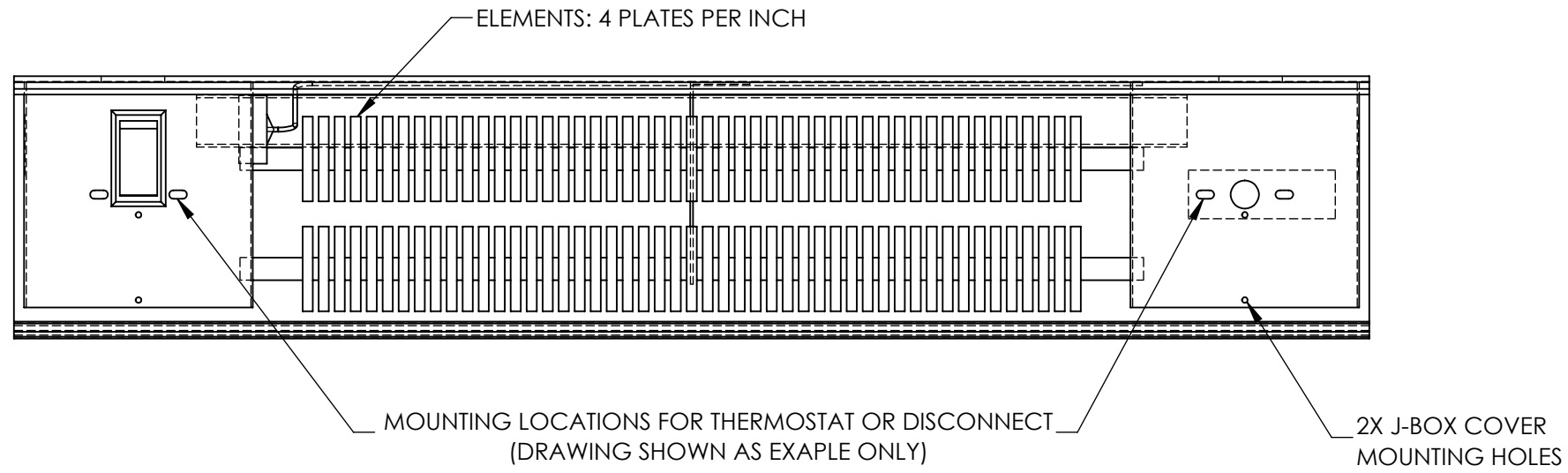
PROPRIETARY AND CONFIDENTIAL
 THE INFORMATION CONTAINED IN THIS DRAWING IS THE SOLE PROPERTY OF KING ELECTRICAL MFG. ANY REPRODUCTION IN PART OR AS A WHOLE WITHOUT THE WRITTEN PERMISSION OF KING ELECTRICAL MFG. IS STRICTLY PROHIBITED.

UNLESS OTHERWISE SPECIFIED:
 DIMENSIONS ARE IN INCHES
 DO NOT SCALE DRAWING

8 7 6 5 4 3 2 1

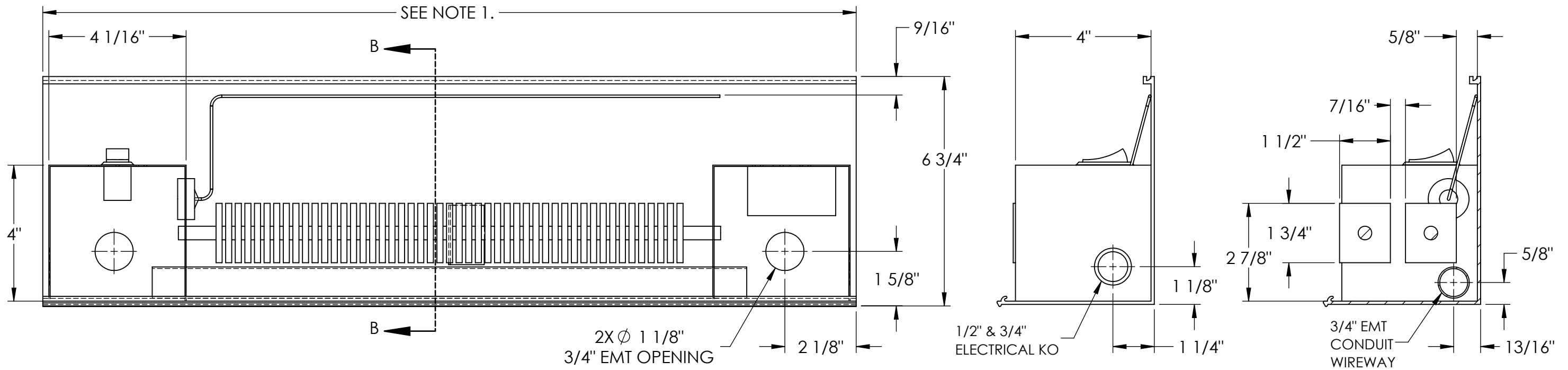
D

D



C

C



SECTION B-B
SCALE 1 : 3

ENDCAPS AND COVERS REMOVED FROM VIEWS

A

A

8 7 6 5 4 3 2 1

king Electrical Mfg.
 9131 10th Ave S.
 Seattle, WA 98108

PROPRIETARY AND CONFIDENTIAL

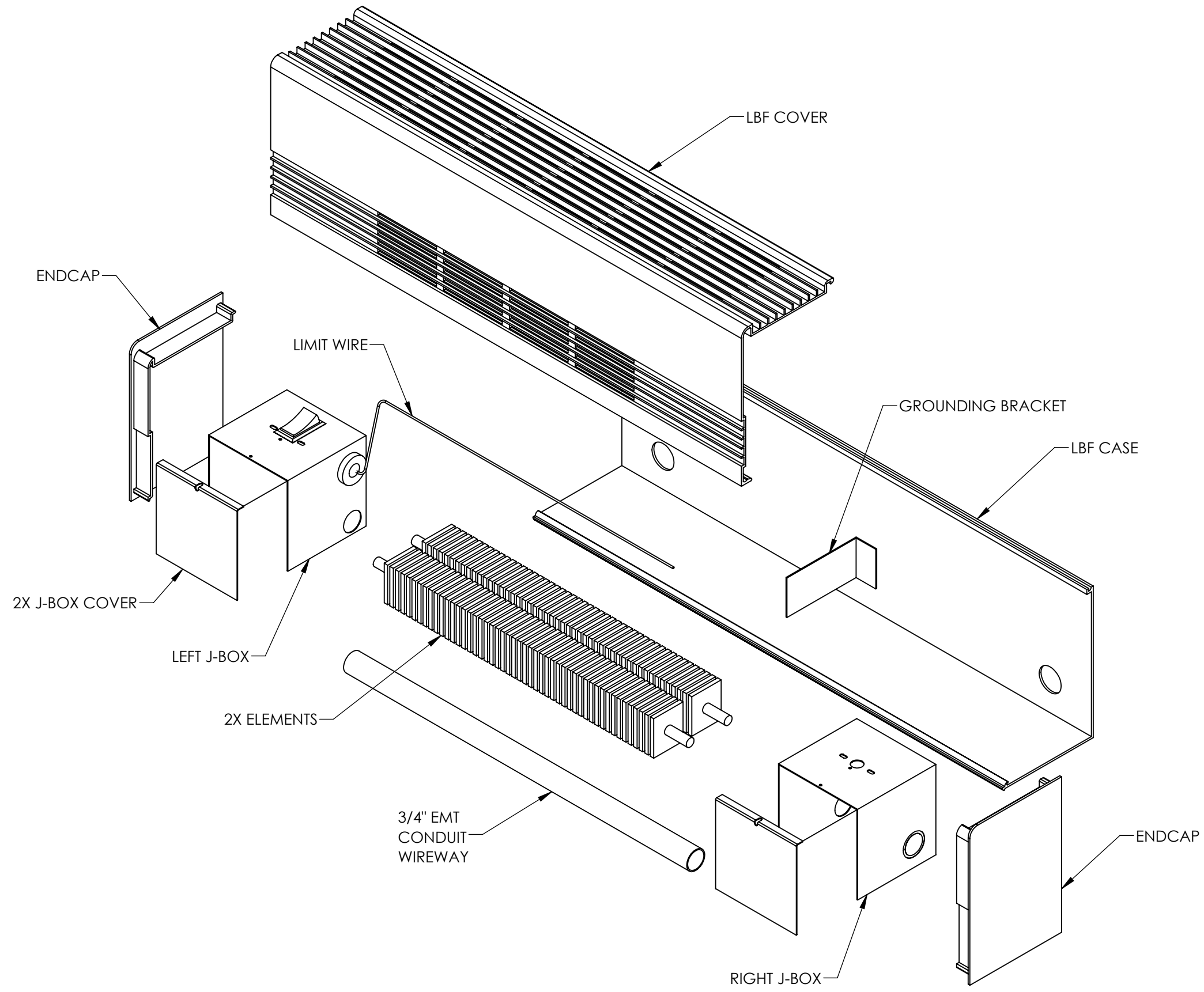
THE INFORMATION CONTAINED IN THIS DRAWING IS THE SOLE PROPERTY OF KING ELECTRICAL MFG. ANY REPRODUCTION IN PART OR AS A WHOLE WITHOUT THE WRITTEN PERMISSION OF KING ELECTRICAL MFG. IS STRICTLY PROHIBITED.

SIZE	DESCRIPTION:	REV
B	LBF ASSEMBLY	-
DO NOT SCALE DRAWING	SCALE: N/A	SHEET 2 OF 3

8 7 6 5 4 3 2 1

D
C
B
A

D
C
B
A



PROPRIETARY AND CONFIDENTIAL
 THE INFORMATION CONTAINED IN THIS DRAWING IS THE SOLE PROPERTY OF KING ELECTRICAL MFG. ANY REPRODUCTION IN PART OR AS A WHOLE WITHOUT THE WRITTEN PERMISSION OF KING ELECTRICAL MFG. IS STRICTLY PROHIBITED.

king Electrical Mfg.		
9131 10th Ave S. Seattle, WA 98108		
SIZE	DESCRIPTION:	REV
B	LBF ASSEMBLY	-
DO NOT SCALE DRAWING	SCALE: N/A	SHEET 3 OF 3

8 7 6 5 4 3 2 1