

Portable Shop Heater PSH2440



Model Code:

PSH	12	15	T
A	B	C	D
A: Series			
B: 12 - 120V			
C: Watts (1500)			
D: T - Thermostat			



- Standard color: Yellow with black accents
- Includes both comfort grip & storage handle
- High limit temperature control with manual reset
- 300 CFM fan
- Stainless steel tubular heating element
Built-in thermostat (45-85°F)
- Standard finish epoxy/polyester paint 240V, 1-Phase
- Handle may be used as a reel for the electric cable
- Mounting bracket for wall or ceiling installation included
- Mounting brackets allow 360° rotation of the unit
- 4000W may be plugged in to 3-pronged, 20A 250 VAC, 240V outlet
- 6 ft.(2m)molded electric cable
- Auto fan delay
- 51° F temperature rise
- 1-year limited warranty

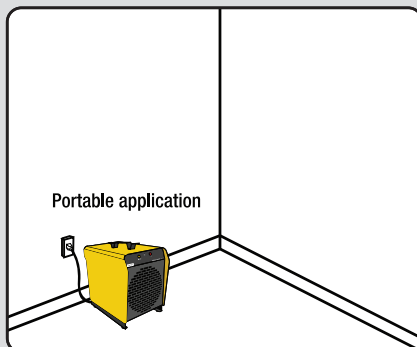
The PSH Portable Shop Heater

The PSH is a high power portable heater designed to provide a back-up heating source at an affordable price. Perfectly suited for the workshop, garage or construction sites. The convenient 6 foot cord allows greater mobility to areas needing heating, while the handle serves as a reel for the cord when not in use. Easily set the desired temperature with the built-in thermostat. Sure stop high-limit temperature control with manual reset provides overheat protection. With a 300 CFM fan, heat is dispersed efficiently. Standard color: Yellow. 240 Volt Single Phase. 1-year warranty.

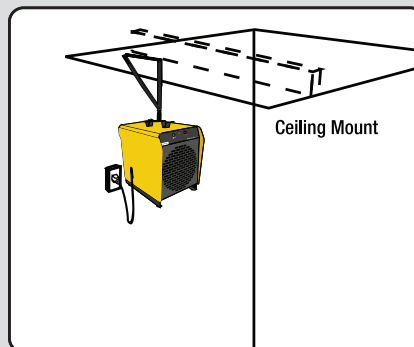
Ordering Information

MODEL	UPC	VOLTS	WATTS	AMPS	Plug Type
PSH2440TB	20637	240	4,000	20	240V Plug

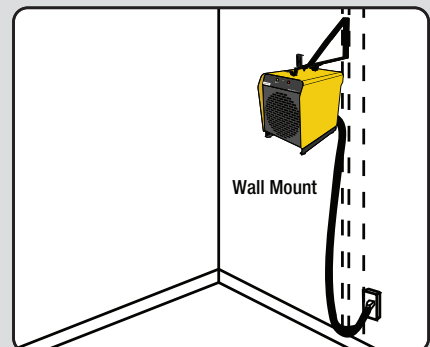
Easy Installation



Place on the floor and plug into 20 Amp outlet



Mount bracket to ceiling joist and attach heater



Mount bracket to wall stud and attach heater

Specifications

BTU.....	13,000B
Watts.....	3,750W
Heating Area (ft²).....	450 ft²
Power (Volts).....	240V~60Hz
Amps.....	20 A
Heat Settings 1.....	On/Off
Heat Settings 2.....	Thermostat

Minimum Clearance

front.....	3 ft.
top.....	1 ft.
sides.....	1 ft.
rear.....	1 ft.

