

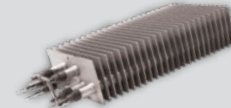


Model Code:

PX 24 17 -WD -R
 A B C D E

- A: Series
- B: 12 - 120V 20 - 208V 24 - 240V
- C: Watts 15-1500W 17-1750W
- D: Color
- E: Color Box Packaging

ComfortCraft



Pic-A-Watt
 Selectable Wattage Element



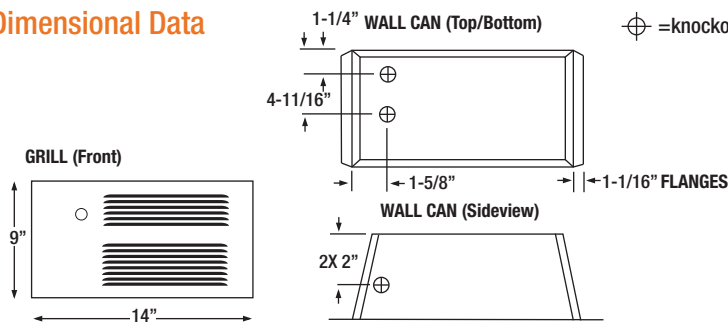
- Modern Curved Design
- Pic-A-Watt® Element
- Multiple Wattage Options
- Whisper Quiet Blower Design
- Zonal Heating Systems Save Money
- C-Frame Motor
- Patented Smart Limit Protection®
- 20 gauge powder-coated grill
- Standard Color: White Dove
- Design Colors Available
- 120, 208, 240 Volts
- 5-Year Limited Warranty



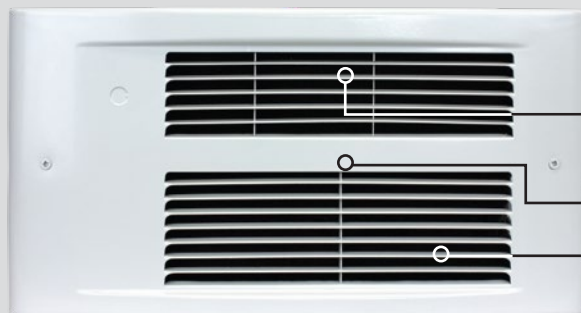
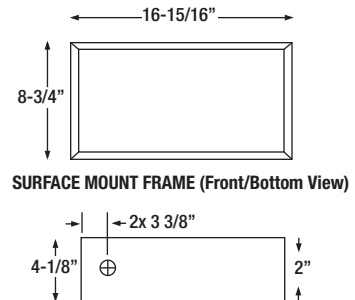
The PX Series ComfortCraft Wall Heater

King refines comfort with the modern architectural design of the PX series ComfortCraft wall heater. The PX series heater delivers nearly 100% efficient electric heat, perfect for large living areas yet whisper quiet enough for bedrooms. The premium combination of an efficient high-mass steel element and whisper quiet squirrel cage blower, offers top of the class performance and years of trouble-free operation. PX comes with five year warranty and 30+ year history of reliability. For best results use with an electronic line voltage wall thermostat. Also available with a built-in thermostat. King's exclusive Pic-A-Wat heating element allows customers to select from a range of wattage options, tailoring the heater to a room's specific heating requirements. For smaller areas, choose a lower wattage to efficiently heat the room. For larger rooms, choose a higher wattage and maximize comfort. It's as easy as unplugging a wire to select the wattage during installation. Now That's Smart!

Dimensional Data



Optional Surface Mount Frame Accessory



(Shown in White Dove)

- — **Modern Curved Grill** – Simultaneously makes a bold statement and blends in with any décor
- — **Selectable Wattage** – Tailor the heater to an area's specific heating requirements
- — **Patented Smart Limit Protection®**
- — **Whisper quiet squirrel cage blower**

ComfortCraft Wall Heater PX Series



Engineering Specifications

Contractor shall supply and install PX ComfortCraft Series in-wall forced-air electric heaters manufactured by King Electrical Mfg. Company, of the wattage and voltage as indicated on the plans.

Ratings: Heaters shall be available in wattages of 250 to 1,500 at 120 or 250-1750 at 208, or 240 Volts.

Blower and Motor: A whisper quiet tangential blower, delivering 75 CFM, shall be driven by a shaded pole, permanently lubricated, C-frame type motor with impedance protection and sealed bearings. Motors shall be the same voltage as the heater.

Elements: Element assemblies shall consist of three steel sheathed heating tubes in a furnace-brazed, plate-finned, block design. Each sheathed tube shall contain coiled Ni-Chrome wire embedded in an insulator of Magnesium Oxide. The element assembly shall provide up to seven (7) possible wattage configurations available for selection during field installation. The use of external resistors, diodes, or other weak links to obtain multiple wattages will not be acceptable.

Thermal Overload: Heaters shall be equipped with King's patented thermal overload Smart Limit Protection®, which disconnects elements

and motor in the event normal operating temperatures are exceeded.

If thermal overload trips due to abnormal operating temperatures, thermal overload shall remain open until manually reset by turning the heater off for 15 minutes. Automatic reset of thermal overloads, which allow the element to continue to cycle under abnormal conditions, will not be accepted.

Wall Cans: The wall can shall be 20 gauge electro-galvanized steel and shall contain a minimum of three (3) knockouts. The wall can shall have a factory installed, insulated and stranded copper ground-wire. Minimum 4" clearance to floors and 6" sidewalls. Zero clearance to combustibles in the wall.

Grill: The grill shall be a louvered, one-piece curved front design with rounded edges on all four sides, with duct flange on outlet to achieve maximum heat transfer. The grill shall be epoxy powder-coated in white dove, almondine, oiled bronze or satin nickel.

Approvals: cULus (E41422)

*Add suffix -WD-R for optional White Dove color -AD-R for optional Almondine color -SN-R for optional Satin Nickel color

Ordering Information -OB-R for optional Oiled Bronze color

BASE MODEL	VOLTS	WATTS	AMPS	WT. (lbs.)
PX1215	120	250•500•750•1000•1250•1500	2.1-12.5	12.5
PX2017	208	250•500•750•1000•1250•1500•1750	1.2-8.4	12.5
PX2417	240/208*	250•500•750•1000•1250•1500•1750	1.1-7.3	12.5

*Dual rated heaters will draw 13% less amps and 25% less wattage when operated at 208V.

Options

ADD SUFFIX	DESCRIPTION
-WD-R	White Dove Color - Color Box Packaging
-AD-R	Almondine Color - Color Box Packaging
-SN-R	Satin Nickel Color - Color Box Packaging
-OB-R	Oiled Bronze Color - Color Box Packaging

Order A' La Carte

MODEL	DESCRIPTION	WEIGHT lbs
PX1215-HRC	PX 120V, 1500W, Heat Box & Recessed Wall Can	10.0
PX2017-HRC	PX 208V, 1750W, Heat Box & Recessed Wall Can	10.0
PX2417-HRC	PX 240V, 1750W, Heat Box & Recessed Wall Can	10.0
PXG-WD	PX Grill, White Dove Color	2.2
PXG-AD	PX Grill, Almondine Color	2.2
PXG-SN	PX Grill, Satin Nickel Color	2.2
PXG-OB	PX Grill, Oiled Bronze Color	2.2
PXSMF-WD	PX Surface Mount Frame, White Dove Color (H 8-3/4 x W 16-15/16 x D 4-1/4)	2.4
PXSMF-AD	PX Surface Mount Frame, Almondine Dove Color (H 8-3/4 x W 16-15/16 x D 4-1/4)	2.4
PXSMF-SN	PX Surface Mount Frame, Satin Nickel Color (H 8-3/4 x W 16-15/16 x D 4-1/4)	2.4
PXSMF-OB	PX Surface Mount Frame, Oiled Bronze Color (H 8-3/4 x W 16-15/16 x D 4-1/4)	2.4
PX-RP	PX Rough In Plate - For New Construction	0.5
PXIC	PX Wall Can	3