

Commercial Radiant Heater RH Series



Model Code:

RH	33	B	1	B	25W
A	B	C	D	E	F

A: Series
B: Length
C: Housing Color
 B-Black, S-Stainless
D: Lamp Quantity
 E: Volts A=120, B=208
 C=240, D=480, E=575
F: Wattage



- Black powder-coat aluminized steel housing
- Optional stainless steel housing
- 0° to 45° adjustable brackets included
- Gold colored anodized aluminum reflectors
- Wide, symmetrical design
- Coiled tungsten filament in sealed quartz tube
- Porcelain end caps
- Instantaneous heat-up & cool-down
- Clear or optional glare reducing ruby quartz
- ETL Listed for indoor & outdoor applications
- Commercial/Industrial Approval
- Tested to CSA 22.2 #46 - M1988, UL 2021, 1997

The RH Radiant Heater Series

RH Series radiant heaters have the ability to transfer heat to a person or object without heating the surrounding air. Commonly used for indoor and outdoor application such as restaurant patios, parking garages, work stations, valet waiting areas, vestibules and airport/hospital entrances. RH series heaters are Ideal for any application requiring total or supplemental (spot) heating in commercial and industrial areas.

Models In Stock

LAMP COLOR	LAMP TYPE	BLACK (POWDER COAT)	UPC	VOLTS	WATTS	BTUH	AMPS	LAMP PART#	WT. (lbs.)
CLEAR (WHITE)	SINGLE LAMP	RH-33B1-B25W	32411	208	2,500	8,530	12.02	EL-072	19
CLEAR (WHITE)	SINGLE LAMP	RH-33B1-C25W	32412	240	2,500	8,530	10.42	EL-074	19
CLEAR (WHITE)	DOUBLE LAMP	RH-24B2-B16W	32425	208	3,200	10,919	15.38	EL-071	20
CLEAR (WHITE)	DOUBLE LAMP	RH-24B2-C16W	32426	240	3,200	10,919	13.33	EL-073	20
CLEAR (WHITE)	DOUBLE LAMP	RH-33B2-B25W	32428	208	5,000	17,061	24.04	EL-072	26
CLEAR (WHITE)	DOUBLE LAMP	RH-33B2-C25W	32429	240	5,000	17,061	20.83	EL-074	26
CLEAR (WHITE)	TRIPLE LAMP	RH-33B3-G25W †	32444	480	7,500	24,909	15.63	EL-076	32

Models Available for Special Order Single Lamp Models

LAMP COLOR	BLACK (POWDER COAT)	UPC	STAINLESS STEEL	UPC	VOLTS	WATTS	BTUH	AMPS	LAMP PART#	WT. (lbs.)
CLEAR (WHITE)	RH-24B1-A16W	32407	RH-24S1-A16W	32453	120	1,600	5,459	13.3	EL-070	15
CLEAR (WHITE)	RH-24B1-B16W	32408	RH-24S1-B16W	32454	208	1,600	5,459	7.69	EL-071	15
CLEAR (WHITE)	RH-24B1-C16W	32409	RH-24S1-C16W	32455	240	1,600	5,459	6.67	EL-073	15
CLEAR (WHITE)	RH-24B1-G16W	32410	RH-24S1-G16W	32456	480	1,600	5,459	3.33	EL-075	15
CLEAR (WHITE)	RH-33B1-B25W	32411	RH-33S1-B25W	32457	208	2,500	8,530	12.02	EL-072	19
CLEAR (WHITE)	RH-33B1-C25W	32412	RH-33S1-C25W	32458	240	2,500	8,530	10.42	EL-074	19
CLEAR (WHITE)	RH-33B1-G25W	32413	RH-33S1-G25W	32459	480	2,500	8,530	5.21	EL-076	19
CLEAR (WHITE)	RH-46B1-G36W †	32414	RH-46S1-G36W †	32460	480	3,650	12,454	7.6	EL-077	24
CLEAR (WHITE)	RH-46B1-H38W †	32415	RH-46S1-H38W †	32461	575	3,800	12,966	6.61	EL-078	24
REDUCED GLARE (RUBY)	RH-24B1-A16R	32416	RH-24S1-A16R	32462	120	1,600	5,459	13.3	EL-080	15
REDUCED GLARE (RUBY)	RH-24B1-B16R	32417	RH-24S1-B16R	32463	208	1,600	5,459	7.69	EL-081	15
REDUCED GLARE (RUBY)	RH-24B1-C16R	32418	RH-24S1-C16R	32464	240	1,600	5,459	6.67	EL-083	15
REDUCED GLARE (RUBY)	RH-24B1-G16R	32419	RH-24S1-G16R	32465	480	1,600	5,459	3.33	EL-085	15
REDUCED GLARE (RUBY)	RH-33B1-B25R	32420	RH-33S1-B25R	32466	208	2,500	8,530	12.02	EL-082	19
REDUCED GLARE (RUBY)	RH-33B1-C25R	32421	RH-33S1-C25R	32467	240	2,500	8,530	10.42	EL-084	19
REDUCED GLARE (RUBY)	RH-33B1-G25R	32422	RH-33S1-G25R	32468	480	2,500	8,530	5.21	EL-086	19
REDUCED GLARE (RUBY)	RH-46B1-G36R †	32423	RH-46S1-G36R †	32469	480	3,650	12,454	7.6	EL-087	24
REDUCED GLARE (RUBY)	RH-46B1-H38R †	32424	RH-46S1-H38R †	32470	575	3,800	12,966	6.61	EL-088	24

Commercial Radiant Heater RH Series

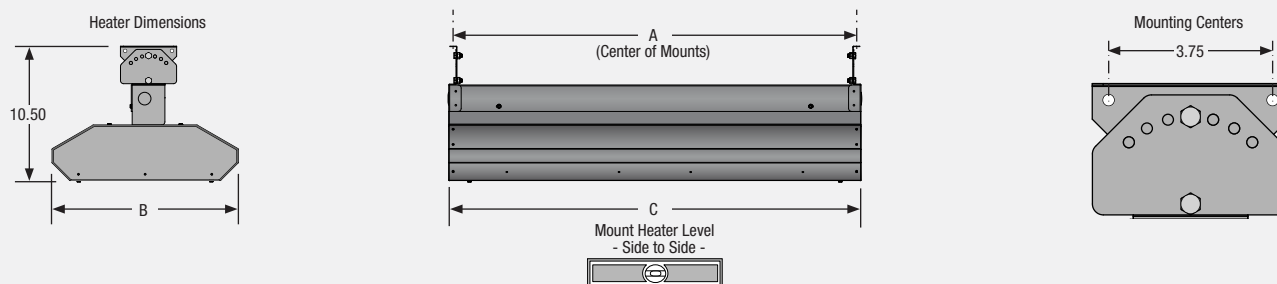
Dual Lamp Models

LAMP COLOR	BLACK (POWDER COAT)	UPC	STAINLESS STEEL	UPC	VOLTS	WATTS	BTUH	AMPS	LAMP PART#	WT. (lbs.)
CLEAR (WHITE)	RH-24B2-B16W	32425	RH-24S2-B16W	32471	208	3,200	10,919	15.38	EL-071	20
CLEAR (WHITE)	RH-24B2-C16W	32426	RH-24S2-C16W	32472	240	3,200	10,919	13.33	EL-073	20
CLEAR (WHITE)	RH-24B2-G16W	32427	RH-24S2-G16W	32473	480	3,200	10,919	6.67	EL-075	20
CLEAR (WHITE)	RH-33B2-B25W	32428	RH-33S2-B25W	32474	208	5,000	17,061	24.04	EL-072	26
CLEAR (WHITE)	RH-33B2-C25W	32429	RH-33S2-C25W	32475	240	5,000	17,061	20.83	EL-074	26
CLEAR (WHITE)	RH-33B2-G25W	32430	RH-33S2-G25W	32476	480	5,000	17,061	10.42	EL-076	26
CLEAR (WHITE)	RH-46B2-G36W †	32431	RH-46S2-G36W †	32477	480	7,300	24,909	15.21	EL-077	32
CLEAR (WHITE)	RH-46B2-H38W †	32432	RH-46S2-H38W †	32478	575	7,600	25,932	13.22	EL-078	32
REDUCED GLARE (RUBY)	RH-24B2-B16R	32433	RH-24S2-B16R	32479	208	3,200	10,919	15.38	EL-081	20
REDUCED GLARE (RUBY)	RH-24B2-C16R	32434	RH-24S2-C16R	32480	240	3,200	10,919	13.33	EL-083	20
REDUCED GLARE (RUBY)	RH-24B2-G16R	32435	RH-24S2-G16R	32481	480	3,200	10,919	6.67	EL-085	20
REDUCED GLARE (RUBY)	RH-33B2-B25R	32436	RH-33S2-B25R	32482	208	5,000	17,061	24.04	EL-082	26
REDUCED GLARE (RUBY)	RH-33B2-C25R	32437	RH-33S2-C25R	32483	240	5,000	17,061	20.83	EL-084	26
REDUCED GLARE (RUBY)	RH-33B2-G25R	32438	RH-33S2-G25R	32484	480	5,000	17,061	10.42	EL-086	26
REDUCED GLARE (RUBY)	RH-46B2-G36R †	32439	RH-46S2-G36R †	32485	480	7,300	24,909	15.21	EL-087	32
REDUCED GLARE (RUBY)	RH-46B2-H38R †	32440	RH-46S2-H38R †	32486	575	7,600	25,932	13.22	EL-088	32

Triple Lamp Models

LAMP COLOR	BLACK (POWDER COAT)	UPC	STAINLESS STEEL	UPC	VOLTS	WATTS	BTUH	AMPS	LAMP PART#	WT. (lbs.)
CLEAR (WHITE)	RH-24B3-B16W	32441	RH-24S3-B16W	32487	208	4,800	16,378	23.08	EL-071	25
CLEAR (WHITE)	RH-24B3-C16W	32442	RH-24S3-C16W	32488	240	4,800	16,378	20	EL-073	25
CLEAR (WHITE)	RH-24B3-G16W	32443	RH-24S3-G16W	32489	480	4,800	16,378	10	EL-075	25
CLEAR (WHITE)	RH-33B3-G25W †	32444	RH-33S3-G25W †	32490	480	7,500	24,909	15.63	EL-076	32
CLEAR (WHITE)	RH-46B3-G36W †	32445	RH-46S3-G36W †	32491	480	10,950	37,636	22.81	EL-077	40
CLEAR (WHITE)	RH-46B3-H38W †	32446	RH-46S3-H38W †	32492	575	11,400	38,898	19.83	EL-078	40
REDUCED GLARE (RUBY)	RH-24B3-B16R	32447	RH-24S3-B16R	32493	208	4,800	16,378	23.08	EL-081	25
REDUCED GLARE (RUBY)	RH-24B3-C16R	32448	RH-24S3-C16R	32494	240	4,800	16,378	20	EL-083	25
REDUCED GLARE (RUBY)	RH-24B3-G16R	32449	RH-24S3-G16R	32495	480	4,800	16,378	10	EL-085	25
REDUCED GLARE (RUBY)	RH-33B3-G25R †	32450	RH-33S3-G25R †	32496	480	7,500	24,909	15.63	EL-086	32
REDUCED GLARE (RUBY)	RH-46B3-G36R †	32451	RH-46S3-G36R †	32497	480	10,950	37,636	22.81	EL-087	40
REDUCED GLARE (RUBY)	RH-46B3-H38R †	32452	RH-46S3-H38R †	32498	575	11,400	38,898	19.83	EL-088	40

Dimensional Data



Physical Dimensions

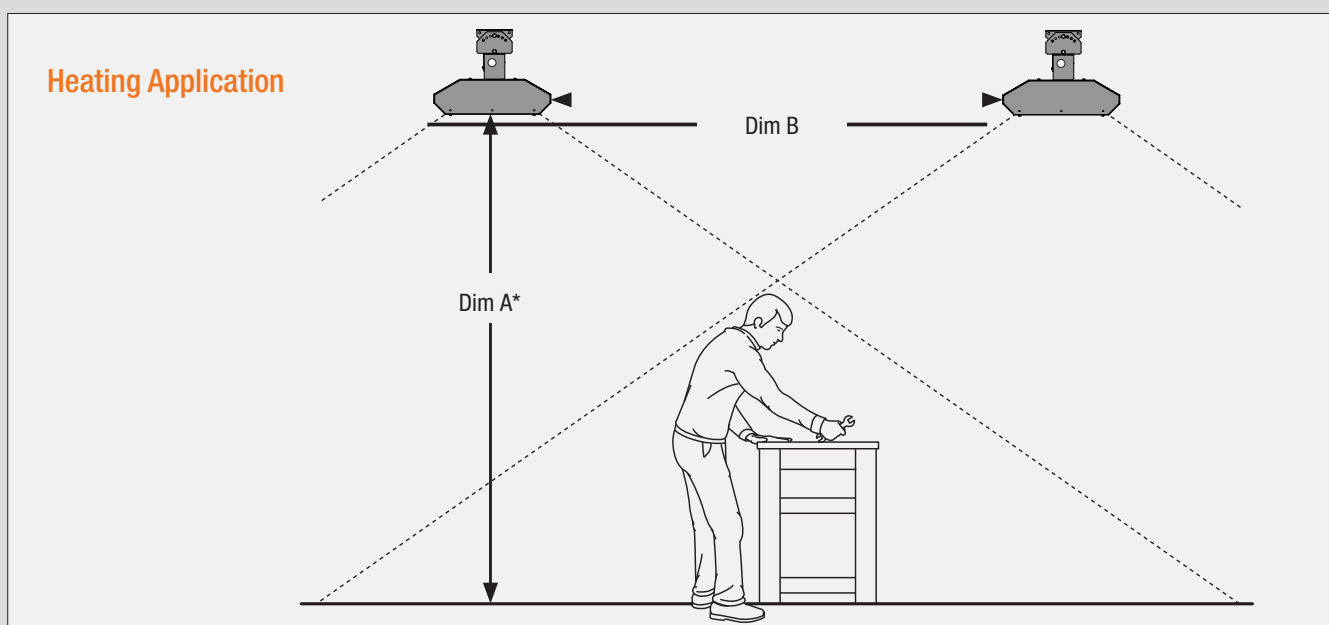
MODEL	A	B	C
RH-24-X1	23½"	9¼"	24"
RH-24-X2	23½"	15"	24"
RH-24-X3	23½"	20¾"	24"
RH-33-X1	32½"	9¼"	33"
RH-33-X2	32½"	15"	33"
RH-33-X3	32½"	20¾"	33"
RH-46-X1	45½"	9¼"	46"
RH-46-X2	45½"	15"	46"
RH-46-X3	45½"	20¾"	46"

Commercial Radiant Heater RH Series

RH Series Basic Heating Application Chart

SERIES	LAMP QTY.	RECOMMEND MOUNTING HEIGHT (Dim A)	RECOMMENDED DISTANCE BETWEEN HEATERS (Dim B)	APPROX. SQ. FT. COVERAGE	APPROX. WATTS PER SQ. FT.
RH-24	1	7 to 9 FT.	2 to 7 FT.	200	4
RH-24	2	7 to 9 FT.	3 to 9 FT.	200	8
RH-24	3	8 to 10 FT.	4 to 11 FT.	300	8
RH-33	1	7 to 9 FT.	3 to 9 FT.	200	6
RH-33	2	8 to 10 FT.	4 to 11 FT.	300	8
RH-33	3	8 to 10 FT.	5 to 13 FT.	300	11
RH-46	1	8 to 10 FT.	4 to 11 FT.	300	7 to 10
RH-46	2	10 to 14 FT.	5 to 13 FT.	500	8 to 12
RH-46	3	10 to 15 FT.	6 to 15 FT.	500	12 to 18

*Clearance to combustibles published in the RH Series Installation, Operation, Maintenance and Parts Manuals and on safety labels must be maintained at all times. Factory recommended mounting heights are listed as a guideline. If infrared heaters are mounted too low or too high, they may result in discomfort or lack of heat.



Replacement Lamp Elements

MODEL	UPC	VOLTS	WATTS	FOR USE WITH	LAMP LENGTH	LAMP COLOR	WEIGHT
EL-070A	32610	120	1,600	A16W	21" (533 mm)	CLEAR (WHITE)	2 lbs (0.9 kg)
EL-071A	32611	208	1,600	B16W	20" (533 mm)	CLEAR (WHITE)	2 lbs (0.9 kg)
EL-072A	32612	208	2,500	B25W	30" (762 mm)	CLEAR (WHITE)	3 lbs (1.4 kg)
EL-073A	32613	240	1,600	C16W	21" (533 mm)	CLEAR (WHITE)	2 lbs (0.9 kg)
EL-074A	32614	240	2,500	C25W	30" (762 mm)	CLEAR (WHITE)	3 lbs (1.4 kg)
EL-075A	32615	480	1,600	G16W	21" (533 mm)	CLEAR (WHITE)	2 lbs (0.9 kg)
EL-076A	32616	480	2,500	G25W	30" (762 mm)	CLEAR (WHITE)	3 lbs (1.4 kg)
EL-077A	32617	480	3,650	G36W	43" (1092 mm)	CLEAR (WHITE)	4 lbs (1.8 kg)
EL-078A	32618	575	3,800	H38W	43" (1092 mm)	CLEAR (WHITE)	4 lbs (1.8 kg)
EL-080A	19231	120	1,600	A16R	21" (533 mm)	REDUCED GLARE (RUBY)	2 lbs (0.9 kg)
EL-081A	19232	208	1,600	B16R	21" (533 mm)	REDUCED GLARE (RUBY)	2 lbs (0.9 kg)
EL-082A	19233	208	2,500	B16R	30" (762 mm)	REDUCED GLARE (RUBY)	3 lbs (1.4 kg)
EL-083A	19234	240	1,600	C16R	21" (533 mm)	REDUCED GLARE (RUBY)	2 lbs (0.9 kg)
EL-084A	19235	240	2,500	C25R	30" (762 mm)	REDUCED GLARE (RUBY)	3 lbs (1.4 kg)
EL-085A	19236	480	1,600	G16R	21" (533 mm)	REDUCED GLARE (RUBY)	2 lbs (0.9 kg)
EL-086A	19237	480	2,500	G25R	30" (762 mm)	REDUCED GLARE (RUBY)	3 lbs (1.4 kg)
EL-087A	19238	480	3,650	G36R	43" (1092 mm)	REDUCED GLARE (RUBY)	4 lbs (1.8 kg)
EL-0868A	19239	575	3,800	H38R	43" (1092 mm)	REDUCED GLARE (RUBY)	4 lbs (1.8 kg)

Commercial Radiant Heater RH Series

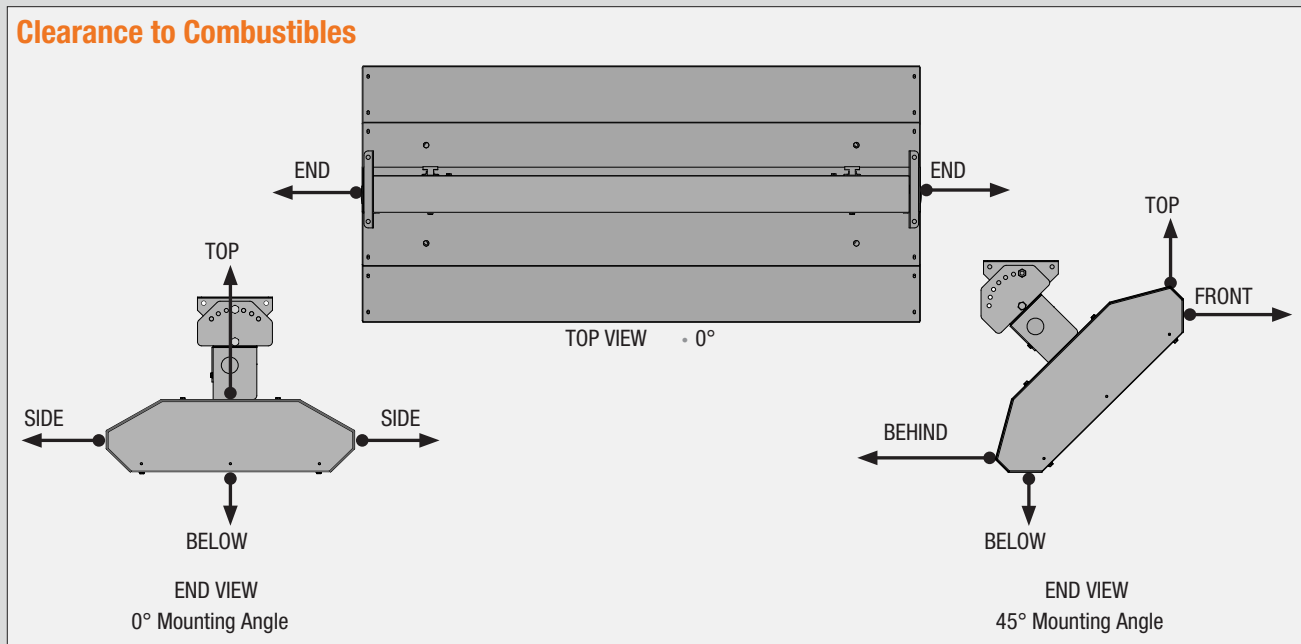
Clearance to Combustibles in Inches

Model Wattage	Mounting Angle	Side		End	Top	Below
		Front	Behind*			
1,600	0°	24	24	24	6	40
	45°	40	24	24	10	40
2,500	0°	24	24	24	6	46
	45°	46	24	24	10	46
3,200	0°	24	24	24	6	56
	45°	56	24	24	10	56
3,650 3,800	0°	24	24	24	6	62
	45°	62	24	24	10	62
4,800	0°	24	24	24	6	72
	45°	72	24	24	10	72
5,000	0°	24	24	24	6	72
	45°	72	24	24	10	72
7,300	0°	24	24	24	6	84
	45°	84	24	24	10	84
7,500 7,600	0°	24	24	24	6	84
	45°	84	24	24	10	84
10,950 11,400	0°	24	24	24	6	96
	45°	96	24	24	10	96

*A minimum clearance of 36 inches must be maintained from behind another heater

NOTE: Ensure that building materials with a low heat tolerance (i.e., awnings, fabrics, plastics, sprinklers, insulation, etc.) are protected against degradation. This may require the heater to be mounted at a distance in excess of the published clearances to combustibles. Contact the material manufacturer for specific details.

Clearance to Combustibles



Commercial Radiant Heater RH Series

Accessories

*Highlighted models are in stock, others are available for special order.

MODEL	UPC	DESCRIPTION	WEIGHT
EL-1WG33	32576	Wire guard fits 33" single element.	4 lbs (1.8 kg)
EL-2WG24	32578	Wire guard fits 24" double element.	4 lbs (1.8 kg)
EL-2WG33	32579	Wire guard fits 33" double element.	5 lbs (2.3 kg)
EL-3WG33	32582	Wire guard fits 33" triple element.	7 lbs (3.2 kg)
EL-1FR33	32585	Recessed mount fits 33" single element	7 lbs (3.2 kg)
EL-2FR24	32587	Recessed mount fits 24" double element	7 lbs (3.2 kg)
EL-2FR33	32588	Recessed mount fits 33" double element	10 lbs (4.5 kg)
SMWC-36	32597	Variable heat controller 208/240 Volt; 15 Amp. 3600 Watts max.	3 lbs (1.5 kg)
EL-1WG24	32575	Wire guard fits 24" single element.	3 lbs (1.4 kg)
EL-1WG46	32577	Wire guard fits 46" single element.	5 lbs (2.3 kg)
EL-2WG46	32580	Wire guard fits 46" double element.	6 lbs (2.7 kg)
EL-3WG24	32581	Wire guard fits 24" triple element.	6 lbs (2.7 kg)
EL-3WG46	32583	Wire guard fits 46" triple element.	8 lbs (3.6 kg)
EL-1FR24	32584	Recessed mount fits 24" single element	5 lbs (2.3 kg)
EL-1FR46	32586	Recessed mount fits 46" single element	13 lbs (5.9 kg)
EL-2FR46	32589	Recessed mount fits 46" double element	15 lbs (6.8 kg)
EL-3FR24	32590	Recessed mount fits 24" triple element	16 lbs (7.3 kg)
EL-3FR33	32591	Recessed mount fits 33" triple element	19 lbs (8.6 kg)
EL-3FR46	32592	Recessed mount fits 46" triple element	21 lbs (9.5 kg)
PLQ	32593	Clearance Safety Limit Sign. 24 ga. aluminum 10" x 7". Sign is designed to be hung or adhered at clearance to combustible limit. Repeats clearance warnings.	1 lb (0.5 kg)
CE-40-24	32594	Contactors with enclosures. Ideal switching device for use with other control equipment. NEMA 1 Enclosures. Magnetic contactor with Load rating up to 600V Max., 3-Pole, 40 amps. 24 volt coil. Overload protection must be additionally provided.	8 lbs (3.6 kg)
CE-60-24	32595	Contactors with enclosures. Ideal switching device for use with other control equipment. NEMA 1 Enclosures. Magnetic contactor with Load rating up to 600V Max., 3-Pole, 60 amps. 24 volt coil. Overload protection must be additionally provided.	14 lb (6.4 kg)
SMWC-18	32596	Variable heat controller 120 Volt; 15 Amp. 1800 Watts max.	3 lbs (1.5 kg)
SCR208-30-1	32598	SCR controller. Single-phase 208/240 Volt. 30 Amp max. Enclosure Included	15 lbs (7kg)
SCR208-30-3	32599	SCR controller. Three-phase 208/240 Volt. 30 Amp max. Enclosure Included	40 lbs (18kg)
SCR208-80-3	32600	SCR controller. Three-phase 208/240 Volt. 80 Amp max. Enclosure Included	50 lbs (23kg)
SCR480-30-3	32601	SCR controller. Three-phase 480 Volt. 30 Amp max. Enclosure Included	40 lbs (18kg)
SCR480-80-3	32602	SCR controller. Three-Phase 480 Volt. 80 Amp max. Enclosure Included	50 lbs (23kg)
SCR-MA-AO	32603	Add-on option for SCR Series controllers to allow 4-20 ma control.	
SCR-DCV-AO	32604	dd-on option for SCR Series controllers to allow 2-10 Volts DC control.	
TH-1A66	32605	Heater thermostat with 40-85°F range. Double line break when positive off. For use on heaters up to 277V. 22 amps at 120 or 240 VAC non-inductive; 18 amps at 277 VAC non-inductive. Common thermostat when amperage permits.	2 lbs (0.9 kg)
VHC-3	32606	Variable heat controller suitable for up to a 3kW of infrared heater at 208- 240V supply. Integral ON/OFF switch. Fully adjustable power setting. High reliability triac used. Must be mounted in a protected area.	2 lbs (0.9 kg)
MS-3	32607	Motion sensor utilizes passive infrared technology to detect heat radiation of moving human bodies and will activate for a user-determined time period (2-18 mins.) Suitable for up to 3kW at 240V. Manual ON/OFF override. Waterproof (IP55). For wall or ceiling mount.	1 lb (0.5 kg)
TC-6	32608	Push button timer control. Suitable for up to 6kW of infrared heaters at 208-240V supply. Electronic soft start - extends lamp life. Tamper-proof Push Button. Fully adjustable time delay from 5 to 70 minutes. Red LED indicator when active. Waterproof (IP55 rated).	2 lbs (0.9 kg)
LCD-3H	32609	Energy saving snow switch allows heater operation only when required during snowfall and when temperatures remains closed for 1-hour hold-on time after precipitation has stopped. 24VAC required for operation and switches 24VAC signal. One device can operate multiple units. Must use in conjunction with a contactor.	2 lbs (0.9 kg)