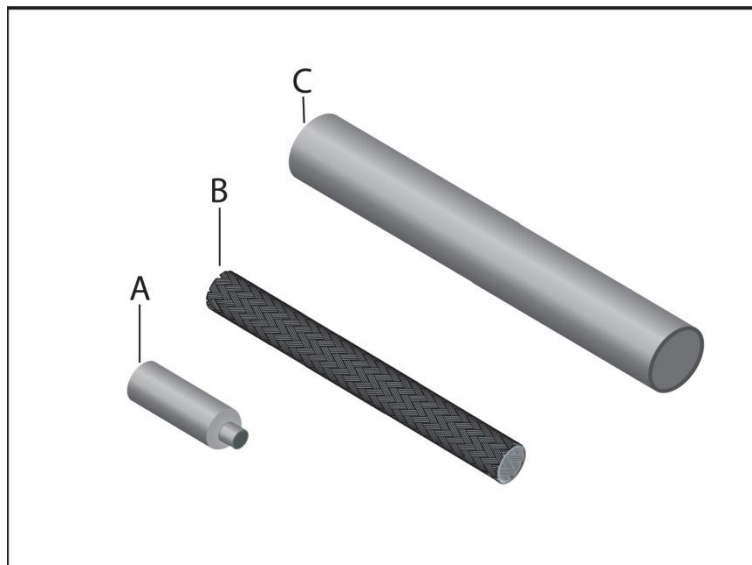


## Installation, Operation and Maintenance Instructions

### IMPORTANT: Save These Instructions!



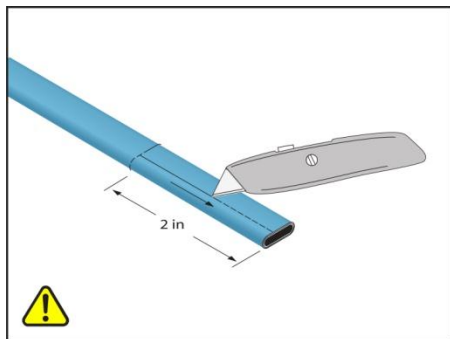
**DESCRIPTION:**

SR self-regulating heating cables are designed for a variety of pipe freeze protection as well as roof and gutter deicing applications. The heat output (wattage) increases and decreases based on the temperature, so the cable adjusts automatically to varying climate conditions. This unique feature ensures maximum energy efficiency by increasing the heat output only when it is needed. No thermostat is required.

**⚠ WARNING: ELECTRIC SHOCK HAZARD**  
 Disconnect all power before installing or servicing the heating cable and accessories. SR heating cable must be grounded properly in accordance with the National Electrical Code (NEC). Failure to comply can result in personal injury or property damage. Only a qualified licensed electrical contractor shall install and service of SR heating cable and accessories, otherwise the warranty is voided.

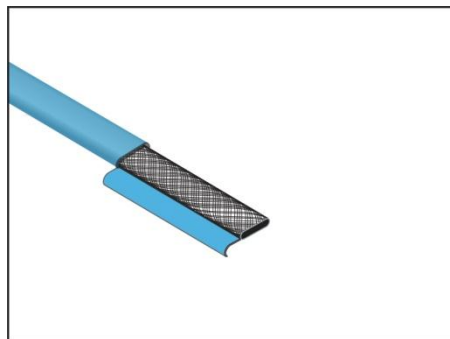
Item	Qty	Description
A	2	Black heat shrink tube (3/4" dia. x 5" length)
B	2	Woven braid sleeve ( 1/2" dia. x 4" length)
C	2	Black heat shrink cap ( 1/2" dia. x 1-1/4" length)

Note:-All electrical wiring, including Ground Fault Circuit Interrupters (GFCI), must be done according to the NEC and local codes by a qualified installer. Article 426 of ANSI/NFPA 70 of National Electrical Code (NEC section 62 of CAN/CSA-C22.1, Canadian Electrical Code, Part I(CEC) governs the installation of this heat systems

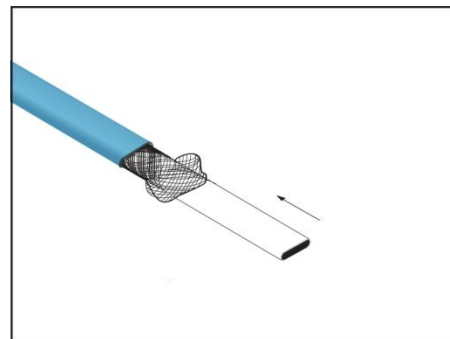


**1** Score the outer jacket 2" from the end of the cable.

**CAUTION:** When removing the outer jacket, be careful not to damage the braid or the base cable insulation.



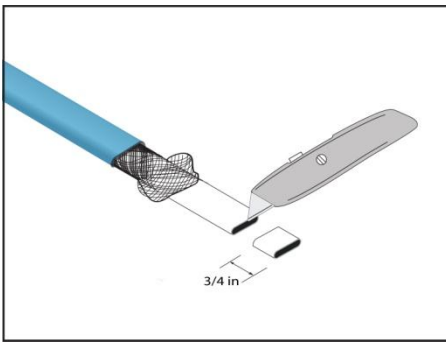
**2** Remove the outer jacket to expose the braid.



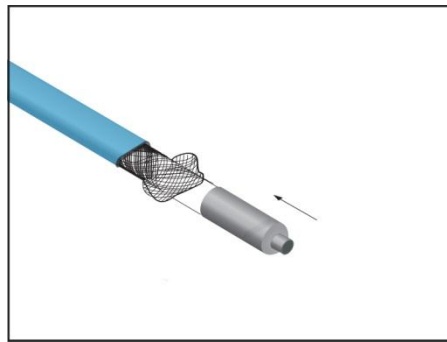
**3** Push the braid back off the end of the cable.

**WARNING: ELECTRIC SHOCK HAZARD**  
 Do not connect the bus wires together. Keep braid out of heat shrink cap.

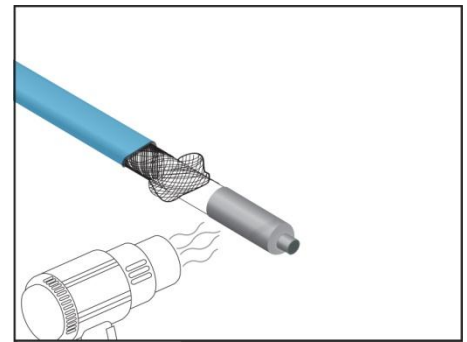




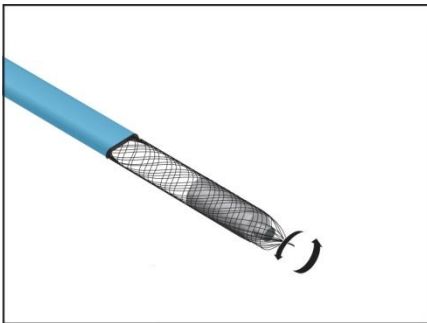
**4** Push back the braid and cut 3/4" off the end of the cable..



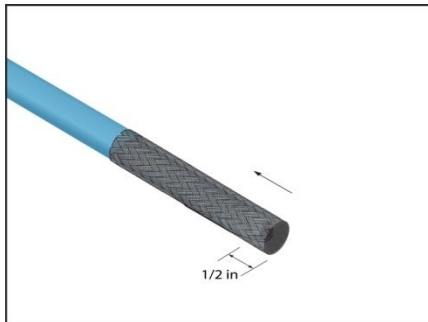
**5** Push back the braid and slide the heat shrink cap over the end of the cable..



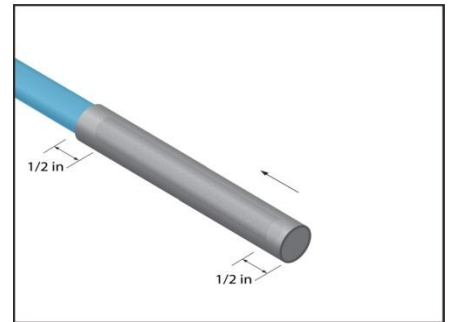
**6** Apply heat evenly until the cap shrinks around the cable.



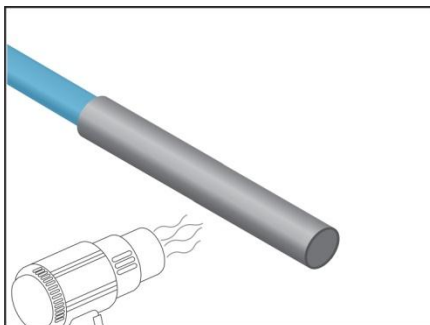
**7** Pull the braid back over the end cap and twist the braid end together.



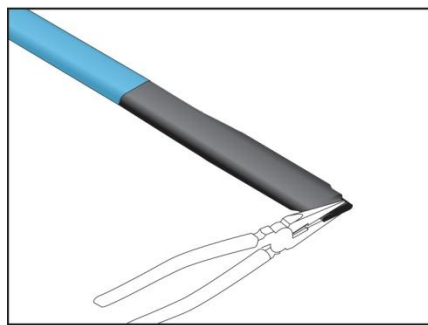
**8** Slide the 4" woven braid sleeve over the cable, allowing 1/2" to extend past the end.



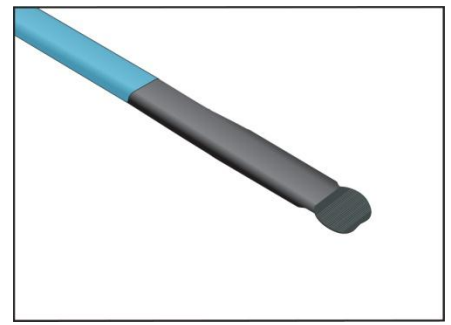
**9** Slide the 5" heat shrink tube over the woven braid, allowing it to extend 1/2" past the end of the woven sleeve just applied.



**10** Apply heat evenly to the heat shrink tube until it shrinks around the cable



**11** While the shrink tubing is still hot, gently squeeze the end with pliers and hold it until it has cooled.



**12** The end must remain sealed after the pliers are removed. If the tube does not remain sealed, then repeat steps 7 and 8.

### Warranty Information:

King Electrical Mfg. Company will repair or replace, without charge to the original owner, any heating cable found to be defective or malfunctioning within the 2 year warranty. **In Case of Product Failure:** Contact King Electrical Mfg. Co. at 800.603.5464. The owner will be required to provide, within the designated warranty period, the following information: model number, date of purchase, and a complete description of the problem encountered with product. Upon receipt of the aforementioned, the company will reply to the owner within a period not to exceed fifteen (15) working days, and will provide the action to be taken by owner. **Terms:** This warranty requires the owner or his agent install the equipment in accordance with the National Electrical Code, any other applicable heating or electrical codes and the manufacturer's installation instructions. It further requires that reasonable and necessary maintenance be performed on the unit. Failure of proper maintenance by owner will void the warranty in its entirety. The company is not liable for any actions it deems to be abuse or misuse of the product. The customer shall be responsible for all costs incurred in the removal or reinstallation of products, including, but not limited to, labor costs, and shipping costs incurred to return products to King Manufacturing. At their discretion, King Manufacturing will decide to either repair or replace the product, with no charge to the owner, with return freight paid by King. The Company shall not be liable for consequential damages arising with respect to the product, whether based upon negligence, tort, strict liability or contract. No other written or oral warranty applies, nor any warranties by Representatives, Dealers, Employees of King or any other person. King Manufacturing can be contacted by phone at 206.762.0400, fax 206.763.7738 or website [www.king-electric.com](http://www.king-electric.com). The company's minimum liability shall not in any case exceed the list price for the product claimed to be defective.