

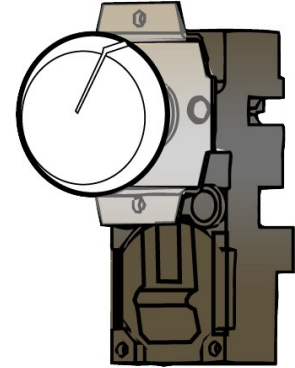
INSTALLATION INSTRUCTIONS



TKIT-1 & TKIT-2

Inbuilt Thermostat for the KT, KTW, PAW, W and WHF model heaters

SPECIFICATIONS	Resistive Load	
Source 120 VAC	25 AMP	@ 3000W
Source 208 VAC	25 AMP	@ 5200W
Source 220 VAC	25 AMP	@ 5500W
Source 240 VAC	25 AMP	@ 6000W
Source 277 VAC	18 AMP	@ 4985W
Temperature range	40° -90° F	(4° -32° C)
Frequency	50-60 Hz	
Accuracy	7° F +/- 3.5° C	
Inductive Load	1/2HP	
Snap Action / Open On Temp. Rise/ Bimetal Sensor		



DANGER

ELECTRIC SHOCK OR FIRE HAZARD

READ ALL WIRE SIZING, VOLTAGE REQUIREMENTS AND SAFETY DATA TO AVOID PROPERTY DAMAGE AND

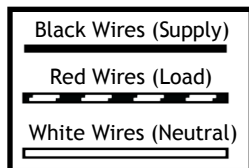
⚠ WARNING ⚠

READ CAREFULLY - These instructions were written to help prevent difficulties that might arise during thermostat installation. Studying the instructions first may save considerable time and money later. Observing the following procedures will keep installation time to a minimum. Save these instructions for future use.

INSTRUCTIONS

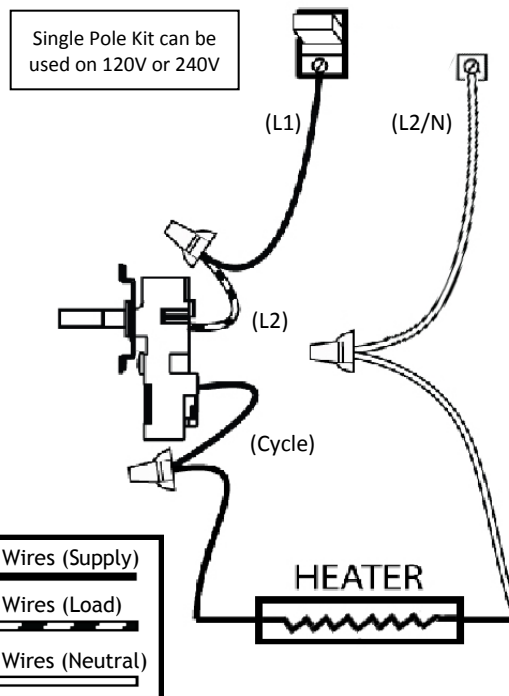
⚠ WARNING: Turn off power at the breaker before installing.

1. Mount Thermostat with provided screws.
2. Wire the thermostat with RED thermostat wires to breaker, BLACK thermostat wires to heater, white neutral wires to heater.
3. Install heater assembly into wall can.
4. Remove 1/2" knockout in grill.
5. Mount grill with provided screws.
6. Place plastic knob by pushing through grill opening.

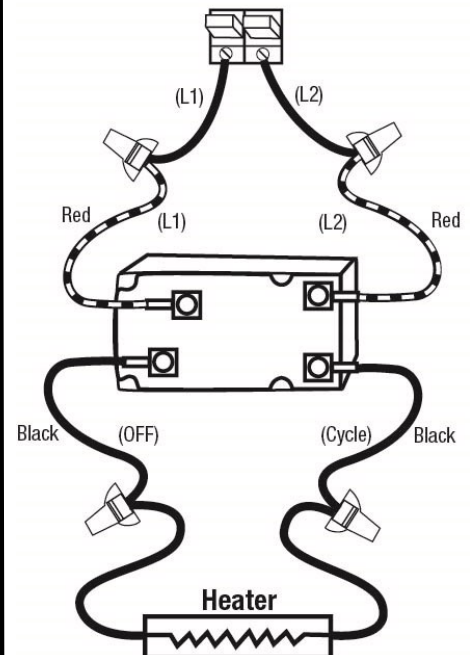


WIRING DIAGRAMS

TKIT-1 Single Pole



TKIT - 2 Double Pole
(Positive OFF)



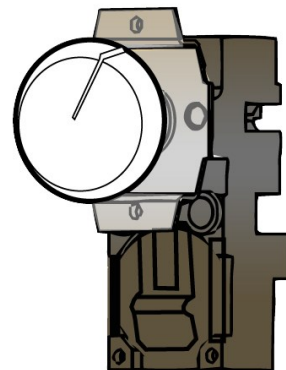
INSTALLATION INSTRUCTIONS



TKIT-1 & TKIT-2

Inbuilt Thermostat for the KT, KTW,
PAW, W and WHF model heaters

SPECIFICATIONS	Resistive Load	
Source 120 VAC	25 AMP	@ 3000W
Source 208 VAC	25 AMP	@ 5200W
Source 220 VAC	25 AMP	@ 5500W
Source 240 VAC	25 AMP	@ 6000W
Source 277 VAC	18 AMP	@ 4985W
Temperature range	40° -90° F	(4° -32° C)
Frequency	50-60 Hz	
Accuracy	7° F +/- 3.5° C	
Inductive Load	1/2HP	



⚠ DANGER ⚠

ELECTRIC SHOCK OR FIRE HAZARD

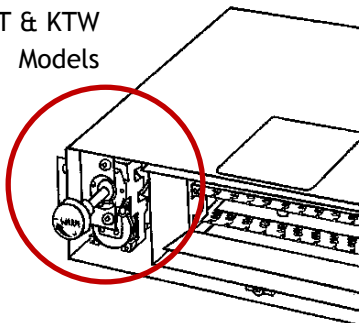
READ ALL WIRE SIZING, VOLTAGE REQUIREMENTS AND SAFETY DATA TO AVOID PROPERTY DAMAGE AND



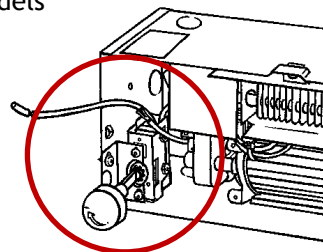
MOUNTING LOCATIONS

Use the two sheet metal screws provided to fasten the mounting bracket as shown above. Use the two machine screws to mount the thermostat to the mounting bracket.

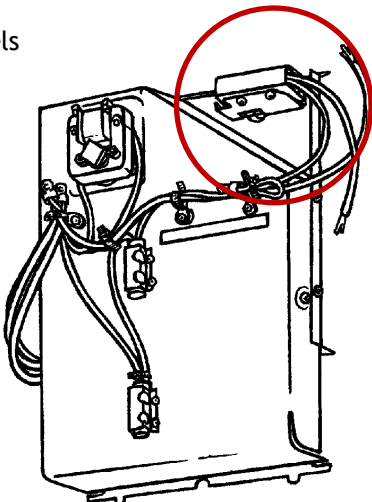
KT & KTW
Models



PAW Models



W Models



WHF
Models

