



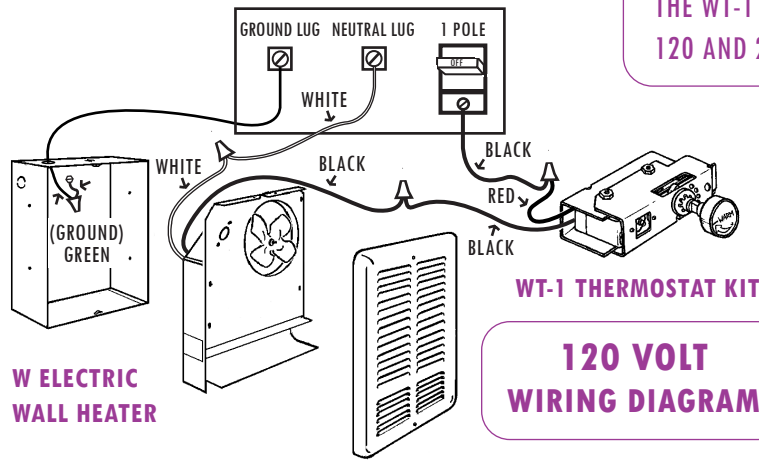
KING ELECTRICAL MFG. CO.  
SEATTLE, WA 98108

# WT-1

IN-BUILT THERMOSTAT KIT FOR  
KING MODEL **W** ELECTRIC  
WALL HEATER - SINGLE POLE



## MAIN BREAKER



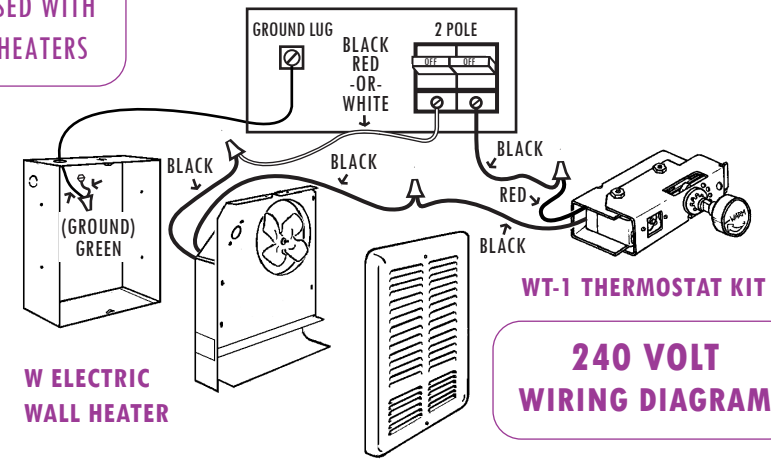
WT-1 THERMOSTAT KIT

## 120 VOLT WIRING DIAGRAM

W ELECTRIC WALL HEATER

THE WT-1 CAN BE USED WITH  
120 AND 240 VOLT HEATERS

## MAIN BREAKER



WT-1 THERMOSTAT KIT

## 240 VOLT WIRING DIAGRAM

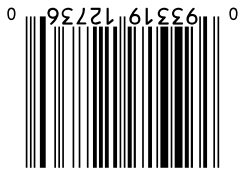
W ELECTRIC WALL HEATER

## DANGER:

RISK OF SEVERE ELECTRICAL SHOCK. DISCONNECT POWER FROM MAIN BREAKER PANEL FIRST BEFORE INSTALLATION.

FOR USE WITH:  
120, 208, 240 VAC / 22 AMP  
277 VAC / 18 AMP

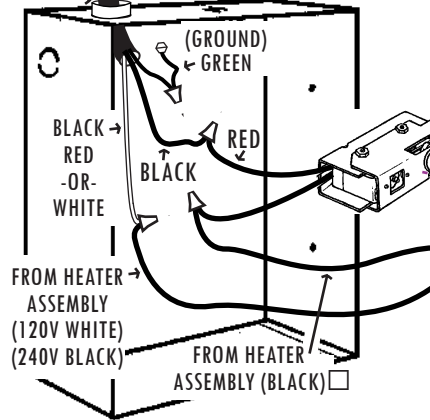
TEMPERATURE RANGE: 40° - 90°F



W SERIES HEATER  
ACCESSORY FOR THE

# WT-1

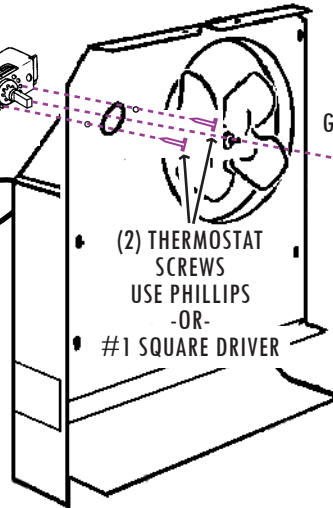
↑ TO POWER SUPPLY  
STRAIN RELIEF BUSHING



WALL CAN

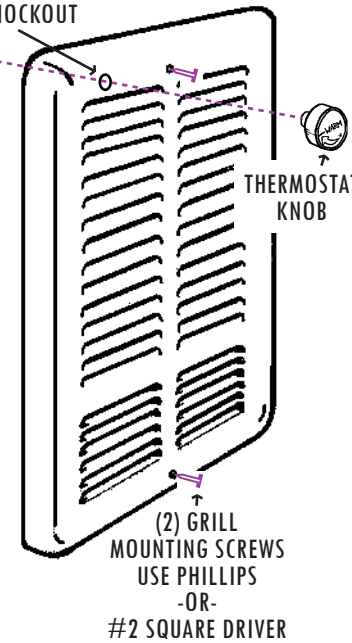
HEATER ASSEMBLY

## W SERIES HEATER WITH WT-1 INSTALLATION

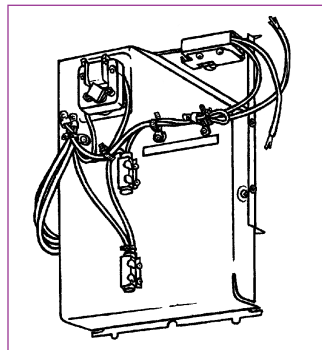


1/2" DIAMETER GRILL KNOCKOUT

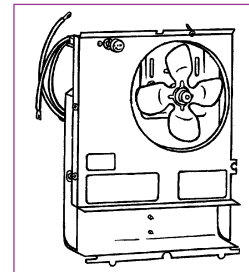
GRILL



WT-1 INSTALLED (BACK VIEW)



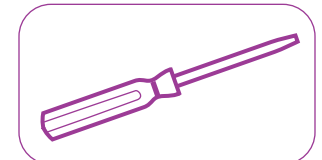
WT-1 INSTALLED (FRONT VIEW)



## INSTRUCTIONS

1. MOUNT THERMOSTAT WITH 2 SCREWS PROVIDED.
2. COMPLETE WIRING AS SHOWN FOR THE WT-1.
3. INSTALL HEATER ASSEMBLY INTO WALL CAN.
4. REMOVE 1/2" GRILL KNOCKOUT FOR THERMOSTAT SHAFT.
5. MOUNT GRILL WITH 2 SCREWS.
6. PLACE PLASTIC KNOB ON THERMOSTAT SHAFT BY PUSHING KNOB THROUGH GRILL OPENING.

## TOOLS:



PHILLIPS #1 SQUARE #2 SQUARE

