



Industrial Portable Unit Heater PCK Series



Model Code:

PCK 48 20 -3 -T -DT -YJ
A B C D E F G

A: Series
B: 20 - 208V, 24 - 240V
48-480V
C: kiloWatts (10 - 30)
D: -1 = Single Phase
-3 = Three Phase
E: -T = Thermostat
F: -DT =
G: -YJ = Yellow Jacket



Outdoor rating optional

- Built-in thermostat
- 24V control for heat or fan only
- steel spiral finned elements
- Long life 3R cast iron motor
- N.E.M.A. 12 gasket construction
- 12" duct collar suitable for flexible dust hoses
- Convenient carrying handles
- Optional frame
- High visibility Yellow Jacket high tensile 18GA steel enclosure
- Large capacity dual-inlet blower handles high static pressure & moves large air volumes (1500 CFM)
- 95 lbs. without frame, 125 lbs. with industrial frame

PCK Industrial Portable Unit Heater

The King PCK "Yellow Jacket" Industrial portable unit heater is constructed to hold up to the rigorous demands of a jobsite or industrial facility. This unit heater is the very BEST heat source to assist in complete "Dry-out" applications, where dry electric heat is preferred to propane or kerosene space heaters. In addition, electric heat omits absolutely no odor, flame or carbon monoxide. The high CFM and moderate temperature rise are also key features to make this unit heater the very best solution for temporary large capacity heating and dry-out applications. Comes standard with a 12" collar for adding a flexible duct to extend the heated air to where it is needed. The -IF (Industrial Frame) complies with the FAA's Airport regulations of 18 inch above the ground for air inlet of the heater to reduce the jet fuel vapor being drawn in. An Outdoor rain proof rating can be added to the portable unit heater by adding the -OR (Outdoor Rating) to the Model number. This will allow you to place the heater outside in the rain and feed heated air into a building structure, plane, container, apartment, ship or any work area requiring heated dry fresh air and not take up space in the work area. The -OR option adds an intake rain baffle and electrical compartment rain cover and is UL approved for Outdoor Use. Many options are available. We can build one for your application.

Ordering Information

	MODEL	UPC	kiloWATTS	VOLTS	PHASE
208V	PCK2010-1	22186	10	208	1
	PCK2010-3	22187	10	208	3
	PCK2015-1	22188	15	208	1
	PCK2015-3	22189	15	208	3
	PCK2020-3	22190	20	208	3
	PCK2025-3	22191	25	208	3
	PCK2030-3	22192	30	208	3
240V	PCK2410-1	22193	10	240	1
	PCK2410-3	22194	10	240	3
	PCK2415-1	22195	15	240	1
	PCK2415-3	22196	15	240	3
	PCK2420-3	22197	20	240	3
	PCK2425-3	22198	25	240	3
	PCK2430-3	22199	30	240	3
480V	PCK4810-3	22200	10	480	3
	PCK4815-3	22201	15	480	3
	PCK4820-3	22202	20	480	3
	PCK4825-3	22203	25	480	3
	PCK4830-3	22204	30	480	3

Accessories

MODEL	UPC	DESCRIPTION
PCK-IF	22205	HEAVY DUTY INDUSTRIAL STEEL FRAME
PCK-IFCS	22206	CORD STORAGE SHELF
PCK-OR	22207	OUTDOOR RATING INLET RAIN BAFFLE W/ ELECTRICAL AND CORD COVER
RT100	22208	REMOTE THERMOSTAT W/100 FT. CORD

Optional heavy duty 1" x 2" steel frame for protection, convenient stackable storage and mobility from job site to job site.

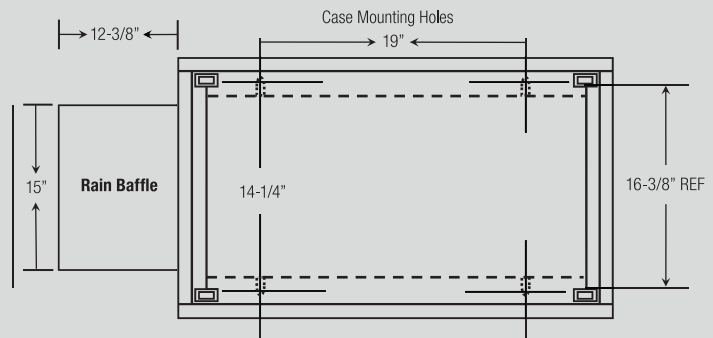
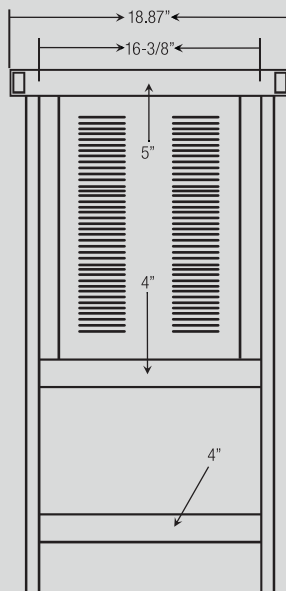
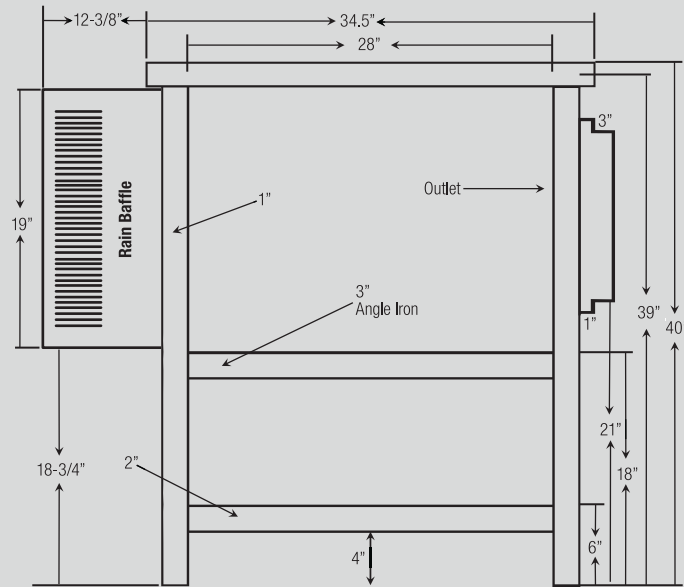
Industrial Portable Unit Heater PCK Series



Shown with industrial steel frame and cord storage tray

Dimensional Data

#	QUANTITY	DESCRIPTION
1	4	1 X 2 X 39 Rect. tubing
2	2	1 X 2 X 28 Rect. tubing
4	4	1 X 2 X 16-3/8 Rect. tubing
5	2	1 X 2 X 18-3/8 Rect. tubing
3	2	2 X 2 X 30 Angle



Shown with ducting



Shown with short steel frame 25-1/2"



Outdoor rating inlet rain baffle with electrical and cord cover