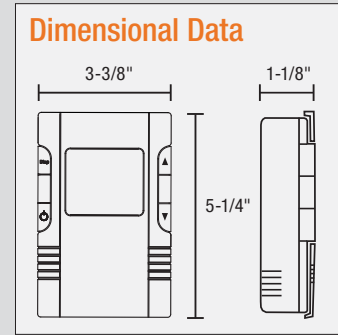


# Two Circuit Thermostat HP Series



- 7 day programming
- Save Up to 28% on heating costs
- Dual single pole design with 4 wires
- Easy dial program operation
- Snap action relays
- Shallow design allows more wiring room inside full electrical boxes
- 3 minute cycle rate reduces temperature swings
- Even temperature control
- Power Failure Restart: occupant's set point
- Complies with all codes requiring anticipated or electronic thermostats
- Heat Indicator: LCD, "Heater On"
- White color with gray print
- Accuracy:  $\pm 9^{\circ}\text{F}$
- Battery Powered AA

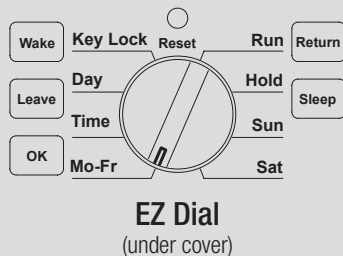
## Ordering Information

MODEL	UPC	TYPE	PACKAGING	WIRE LEADS	VOLTS	AMPS	TEMP RANGE
HP30	19068	Electronic Line Voltage	Single Box	4 Wire	120/208/240	16 per pole	40°F-93°F

## The HP Series Thermostat

**Two Circuit Thermostat** - Allows 2 independent 15 or 20 amp 2 pole circuit breakers to be controlled by one thermostat location. When a large room needs multiple heater circuits but requires one control location.

Featuring a new dial, protected from wandering fingers under the front cover, function selection is an easy twist to the left or right.

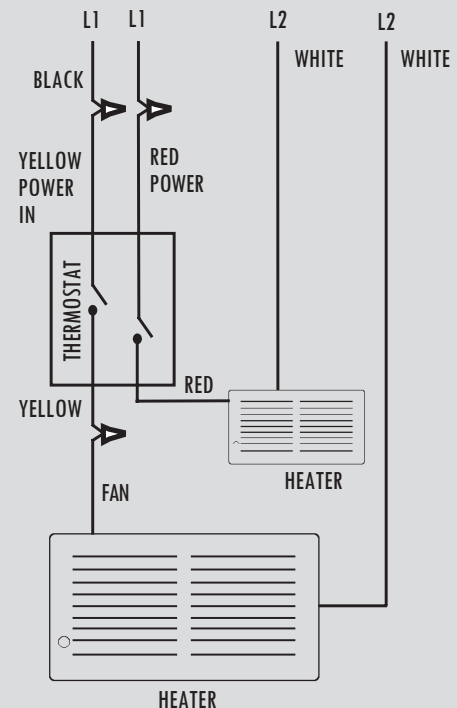


Need to quickly raise or lower the heat? Just push the up or down arrows. Tap the display button to show time, set point or current temperature. This smart thermostat will conveniently tell you by LCD icon when to change the batteries! At King we know what you want and always strive to give it to you.

## OPERATION SCHEMATIC

TWO CIRCUIT  
16 AMPS MAX. PER CIRCUIT

## 2 Independent 2-Pole Breakers



## Specifications

**Temperature Range:** 40°F - 93°F (4°-34°C)

**Temperature Default:** Programs Set Point

**Display Format:** LCD

**Display Size:** Large Format

**Illumination:** Seattle blue, on touch of key

**Sample Rate:** Every 60 seconds

**Delay On:** 1 second for relay 2

**Heat Indicator:** LCD "heater On"

**Relay Rating:** 16 Amps x (2) resistive or inductive

**Relay:** AA battery powered

**Mounting:** 2x4 electrical box

**Accuracy:**  $\pm .9^{\circ}\text{F}$

**Maximum Amps:** 16 resistive or inductive

**Maximum Watts per Pole:**

7700 @ 240V

6656 @ 208V

3840 @ 120V

**Minimum Watts:** 0

**Power Supply:** 1 to 240 Volts AC

1 to 30 Volts DC

**Installation:** Leveling of the thermostat is not required.

Mounting screws are provided. Mount the thermostat about five feet above the floor in an area with good air circulation. Avoid mounting the thermostat where it will be affected by drafts, air from ducts and radiant heat sources such as appliances, the sun or plumbing pipes. Typically the best location is above a light switch for that room.