



9131 10th Ave. South - Seattle, WA 98108 - Customer Svc Ph: 800-603-5464 - Fax: 206-763-7738 - Email: sales@king-electric.com

Date:	Contact Name:
Company:	Contact Phone:
Job:	Contact Fax:
P.O. #:	Contact E-Mail:

### What Do I Need to Know to Quote or Order a Duct Heater?

A separate form must be completed and sent to King for each type of duct heater that is required on a project.

Duct Heater Number:	
Heater Label:	
Tag Number:	
Item Number:	

DUCT TYPE	RECTANGULAR		ROUND	
	Duct Size	Height		Diameter
	Width			
Slip In or Flange Mount				
Is the Duct Internally Insulated?				
If so, How thick is the Insulation? <small>Note: Set Recess Equal to the Internal Insulation Thickness</small>				
Left Hand or Right Hand Offset Control Box?				
KW Required				
Voltage Required				
Phase Required				
Stages Required				
Control Voltage Required				

### What Accessories or Options are Required?

(See Catalog or Submittal for Details)

<input type="checkbox"/> Gasketed Cover*	<input type="checkbox"/> Power Fusing (Std. for hrs > 48A)	<input type="checkbox"/> Pilot Light-Heater Energized*
<input type="checkbox"/> 80/20 A-Wire	<input type="checkbox"/> Fan Interlock Relay*	<input type="checkbox"/> Pilot Light-Stage Energized*
<input type="checkbox"/> Stainless Steel Terminals	<input type="checkbox"/> Airflow Switch	<input type="checkbox"/> Pilot Light-A.F. Switch Open*
<input type="checkbox"/> Vapor Barrier*	<input type="checkbox"/> Adjustable Airflow Switch*	<input type="checkbox"/> Disconnect Switch+
<input type="checkbox"/> Derated Coil-60 Watt Density*	<input type="checkbox"/> Transformer	<input type="checkbox"/> Mercury Contactor*+
<input type="checkbox"/> Derated Coil-45 Watt Density*	<input type="checkbox"/> Transformer Fusing-Primary	<input type="checkbox"/> Electronic Step Controller*+
<input type="checkbox"/> Derated Coil-35 Watt Density*	<input type="checkbox"/> Transformer Fusing-Secondary	<input type="checkbox"/> SCR+
<input type="checkbox"/> Derated Coil-25 Watt Density*	<input type="checkbox"/> P.E. Switch (Pneumatic Control)*	<input type="checkbox"/> Room Thermostat
<input type="checkbox"/> Bottom Mount Heater*	<input type="checkbox"/> Time Delay*	<input type="checkbox"/> Duct-Stat (Only Available w/ SCR or Electronic Step Controller)
<input type="checkbox"/> Remote Panel Option*	<input type="checkbox"/> Vertical Mount*+	

\*=Not Available on Round Duct Heaters    +=Not Available on Bottom Mount Duct Heaters

### Special Notes / Requirements:

--

#### Notes:

- Please see the installation instructions for installation details and restrictions.
- For slip in heaters being installed into an internally insulated duct, decrease the height by 2 times the insulation thickness, decrease the width by the insulation thickness, and add a recess equal to the insulation thickness.
- All heaters will require either a fan relay or an airflow switch per UL requirements. If neither is chosen, a fan relay will be specified. If both a fan relay and airflow switch are required, both must be specified as options/accessories. (Note: Fan relay is not available on SCR controlled heaters.)
- Power fusing is standard on all heaters above 48.0 amps. Power fusing must be specified as an option/accessory if required for heaters rated 48 amps or less.

# Duct Heater Specifications:

Duct heater shall be Slip-in or Flanged type and shall be UL approved for zero clearance to combustible surfaces. The heater shall bear a UL/CSA label. Control panel and element housing shall be constructed of heavy gauge galvanized steel. All heating elements shall be made of nickel/chromium resistance wire with ends terminated by means of staking and heliarc welding to machine screws. Heating element support structure shall consist of galvanized steel wire formed and constructed to support ceramic bushings through which the heating element passes. Control cabinet shall be constructed of heavy gauge galvanized steel with multiple knockouts for field wiring. Control cabinet shall have a solid cover also of heavy gauge galvanized steel and held in place with hinges and tool-release latches. Two latches shall be employed when latched side of cover is 48 inches or greater.

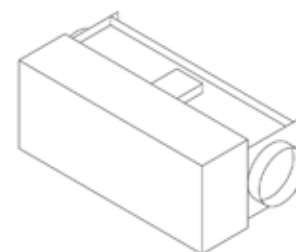
Duct heater shall be supplied with primary over temperature protection by built in disc type automatic reset thermal cutouts and secondary over temperature protection by built in disc type manually resettable thermal cutouts. These devices must function independently of one another and are not acceptable if series connected in the control circuit wiring. A disconnecting magnetic control circuit is required. All duct heaters will require either a fan interlock circuit or an airflow switch.

Over-current protection by means of factory-installed fusing within the control cabinet shall be provided for heaters rated at more than 48 amps. Heating elements shall be subdivided and fused accordingly.

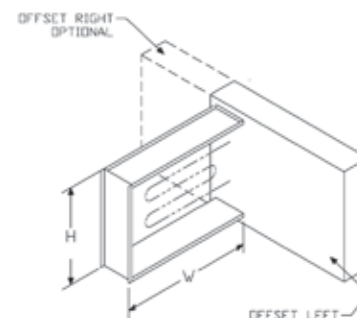
All wiring, component sizing, component spacing and protective devices within the control cabinet shall be factory installed and comply with NEC and UL standards. All heaters shall function properly with a 50 or 60 HZ power supply.

A wiring diagram depicting layout and connections of electrical components within the control cabinet shall be affixed to the inside of the control cabinet cover.

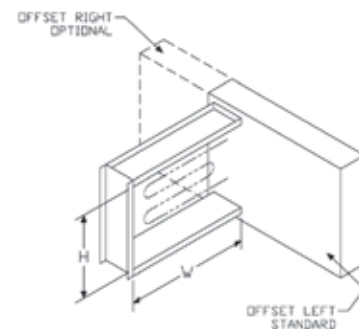
A rating plate label shall be affixed to the exterior of the control cabinet cover which states model number, serial number, volts, amps, phase, frequency, control volts, volt-amps and minimum airflow requirements.



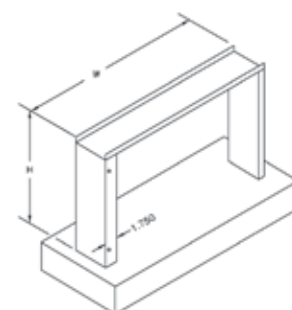
Round Duct



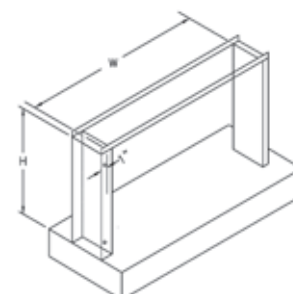
STD. Duct S-Type



STD. Duct F-Type



Bottom Mount Duct S-Type



Bottom Mount Duct F-Type

