

# Infrared Radiant Heater ELX Series



### Model Code:

ELX 24 B 2 208 H.O.MW  
A B C D E F

- A: Series
- B: Length in Inches
- C: Housing Color  
B-Black, S-Stainless
- D: Lamp Quantity
- E: Volts= 208, 240 & 480V
- F: Lamp Type - High Output  
Medium Wave



- Instantaneous Heat-up & Cool-down
- Clear quartz lamps with woven tungsten elements
- High-output medium-wave type lamps
- High-wattage heater with a visible orange glow
- 2720W, 4250W, and 6400W models are available
- 208V, 240V and 480V models are available
- Heats objects not the surrounding air
- Black powder-coat Steel or 304 Stainless Steel Housing depending on model
- 0° to 45° adjustable brackets included
- Anodized aluminum reflectors
- Rated for indoor & outdoor applications

## The ELX Infrared Radiant Heater Series

**ELX Series radiant heaters** have the ability to transfer heat to a person or object without heating the surrounding air. Commonly used for indoor and outdoor application such as restaurant patios, parking garages, work stations, valet waiting areas, vestibules and airport/hospital entrances. ELX series heaters are ideal for any application requiring total or supplemental (spot) heating in commercial and industrial areas. Featuring woven tungsten elements produce a high-output medium-wave infrared heat energy with a visible orange glow. With less intense light than short-wave infrared, ELX series heaters are a great choice for outdoor patios and applications where high heat is required but less visible light is desired. Heaters are equipped with a specially designed reflector for optimal radiant heat output. Optional wall mounting brackets allow adjustment of the heating direction.

### Ordering Information -

MODEL	UPC	VOLTAGE	TOTAL WATTAGE	LENGTH	BTU	# OF LAMPS	LAMP TYPE	FINISH	WT. (LBS)
ELX-24B2-208-HOMW	55521	208	2720	24"	9,281	2	H.O. MW	BLACK	20
ELX-24B2-240-HOMW	55522	240	2720	24"	9,281	2	H.O. MW	BLACK	20
ELX-33B2-208-HOMW	55523	208	4250	33"	14,502	2	H.O. MW	BLACK	30
ELX-33B2-240-HOMW	55524	240	4250	33"	14,502	2	H.O. MW	BLACK	30
ELX-33S2-480-HOMW	55525	480	4250	33"	14,502	2	H.O. MW	STAINLESS STEEL	30
ELX-46S2-480-HOMW	55526	480	6400	46"	21,838	2	H.O. MW	STAINLESS STEEL	45

### Accessories

MODEL	UPC	DESCRIPTION	SHIP WEIGHT lbs
EL-2WG24	32578	Wire Guard Fits 24" Double Element	4
EL-2WG33	32579	Wire Guard Fits 33" Double Element	5
EL-2WG46	32580	Wire Guard Fits 46" Double Element	6
EL-2FR24	32587	Recessed Mount Fits 24" Double Element, Black Finish	7
EL-2FR33	32588	Recessed Mount Fits 33" Double Element, Black Finish	10
EL-2FR33-SS	31006	Recessed Mount Fits 33" Double Element, Stainless Steel	10
EL-2FR46	32589	Recessed Mount Fits 46" Double Element	15
SMWC-18	32596	Variable Heat Controller 120 Volt, 15 Amp 1800 Watts Max	3
SMWC-36A	32597	Variable Heat Controller 208/240 Volt, 15 Amp 3600 Watts Max	5

MODEL	UPC	DESCRIPTION	SHIP WEIGHT lbs
PLQ	32593	Clearance Safety Limit Sign. 24 ga. aluminum 10" x 7". Sign is designed to be hung or adhered at clearance to combustible limit. Repeats clearance warnings.	1
CE-40-24	32594	Contactors with enclosures. Ideal switching device for use with other control equipment. NEMA 1 Enclosures. Magnetic contactor with Load rating up to 600V Max., 3-Pole, 40 amps. 24 volt coil. Overload protection must be additionally provided.	8
CE-60-24	32594	Contactors with enclosures. Ideal switching device for use with other control equipment. NEMA 1 Enclosures. Magnetic contactor with Load rating up to 600V Max., 3-Pole, 40 amps. 24 volt coil. Overload protection must be additionally provided.	14

# Infrared Radiant Heater ELX Series

## Accessories

MODEL	UPC	DESCRIPTION	SHIP WEIGHT lbs
TH-1A66	32605	Heater thermostat with 40-85°F range. Double line break when positive off. For use on heaters up to 277V. 22 amps at 120 or 240 VAC non-inductive; 18 amps at 277 VAC non-inductive. Common thermostat when amperage permits. Do Not use with contactor panels	2
VHC-3	32606	Variable heat controller suitable for up to a 3kW of infrared heater at 208-240V single phase supply.	2
MS-3	32607	Motion sensor utilizes passive infrared technology to detect heat radiation of moving human bodies and will activate for a user-determined time period (2-18 mins.) Suitable for 2.5kW-3kW at 208V-240V. Manual ON/OFF override. Waterproof (IP55). For wall or ceiling mount.	1
TC-6	32608	Push button timer control. Suitable for 5kW-6kW of infrared heaters at 208-240V single phase supply. Electronic soft start - extends lamp life. Tamper-proof Push Button. Fully adjustable time delay from 5 to 70 minutes. Red LED indicator when active. Waterproof (IP55 rated).	2

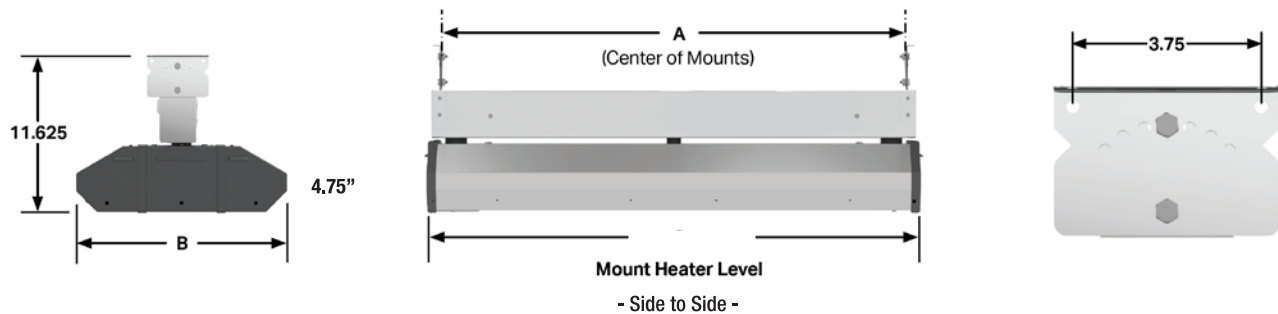
## Replacement Lamp Elements

MODEL	VOLTS	WATTS	LAMP LENGTH	LAMP TYPE
EL-HO-B24	208	1,360	24"	HIGH OUTPUT MEDIUM WAVE
EL-HO-C24	240	1,360	24"	HIGH OUTPUT MEDIUM WAVE
EL-HO-B33	208	2,125	33"	HIGH OUTPUT MEDIUM WAVE
EL-HO-C33	240	2,125	33"	HIGH OUTPUT MEDIUM WAVE
EL-HO-G33	480	2,125	33"	HIGH OUTPUT MEDIUM WAVE
EL-HO-G46	480	3,200	46"	HIGH OUTPUT MEDIUM WAVE

## Physical Dimensions

MODEL	A	B	C
ELX-24B2-208-HOMW	23½"	15¼"	24½"
ELX-24B2-240-HOMW	23½"	15¼"	24½"
ELX-33B2-208-HOMW	32½"	15¼"	33½"
ELX-33B2-240-HOMW	32½"	15¼"	33½"
ELX-33S2-480-HOMW	32½"	15¼"	33½"
ELX-46S2-480-HOMW	45½"	15¼"	46½"

## Dimensional Data



# Infrared Radiant Heater ELX Series

## ELX Heating Application Chart

Series	Lamp Quantity	Minimum Mounting Height (Ft.)	Recommended Mounting Height (Ft.) [Dim. A]	Recommended Distance Between Heaters (Ft.) [Dim. B]	Approximate Square Foot Coverage
ELX-24	2	8	10 to 12	6 to 12	400
ELX-33	2	10	12 to 14	7 to 14	600
ELX-46	2	12	14 to 16	8 to 16	850

\*Clearance to combustibles published in the ELX Series Installation, Operation, Maintenance and Parts Manuals and on safety labels must be maintained at all times. Factory recommended mounting heights are listed as a guideline. If infrared heaters are mounted too low or too high, they may result in discomfort or lack of heat.

## ELX Estimating Required Load

Type of Building	Watts Required per Square Foot at Floor Level
Insulated	10
Uninsulated	16
Outdoor Sheltered	25 to 30
Outdoor Unsheltered	30 to 45

\*When comfort heating people, (2) heaters should be used to heat both sides of the individual. Heater installation shall comply with all IOPM, NEC, ANSI/NFPA-70, CEC, and local restrictions.

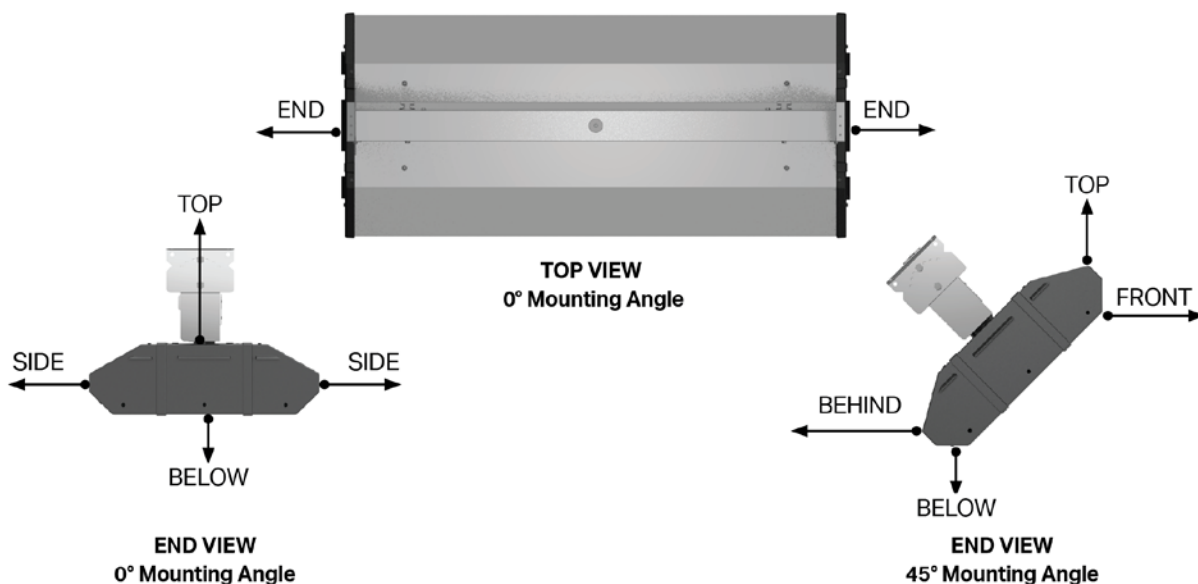
## ELX Clearances to Combustibles in Inches (Millimeters) - see Figure 1.1

Length	Mounting Angle	Side					Min. Mtg. Height
		Front	Behind	End	Top	Below	
<b>Double Element</b>							
24"	0°	28 (712)	28 (712)	26 (661)	6 (153)	86 (2185)	8 Ft.
33"	0°	28 (712)	28 (712)	26 (661)	6 (153)	86 (2185)	10 Ft.
46"	45°	86 (2185)	4 (102)	26 (661)	10 (254)	86 (2185)	10 Ft.

Heaters mounted on an angle between 0° and 45° must maintain clearances posted for 0° or 45° whichever is greater.

**NOTE:** Ensure that building materials with a low heat tolerance (i.e. awnings, fabrics, plastics, sprinklers, insulation, etc.) are protected against degradation. This may require the heater to be mounted at a distance in excess of the published clearances to combustibles. Contact the material manufacturer for specific details.

## ELX Clearances to Combustibles



# Infrared Radiant Heater ELX Series

## Heating Application

