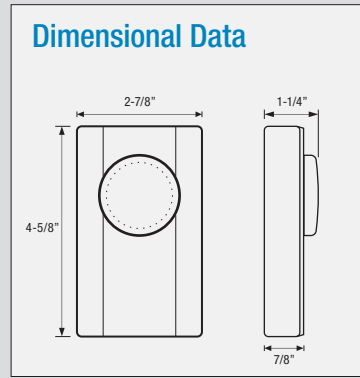


# Line Voltage Cooling Thermostat K101-C



- For line voltage cooling applications
- Clean, beveled style suits any decor
- Sits flush against wall
- Includes °C and °F control dials
- Bi-metal sensing element
- Mounts directly to a 2x4 inch vertical electrical outlet box
- Fully vented cover allows air sensing in all directions
- Large knob allows easy adjustment to all temperatures
- Single Pole, Operates 41° - 90° F (3°- 32°C)
- No ground wire design

## The K101-C Cooling Thermostat

The K101-C cooling thermostat has a larger, more sensitive, bi-metal sensor that improves temperature accuracy to  $\pm 3^\circ$  F. This feature achieves a better comfort level with a reduced temperature swing as compared to economy models. Modern appearance with large knob for easy adjustments. No ground wire, making installation fast and easy. For cooling only.

### Ordering Information

MODEL	UPC	DESCRIPTION
K101-C	20631	Single Pole - WHITE, Cooling Only

### Specifications

**Temperature Range:** 41° F-90° F (5° C- 32° C)

**Accuracy:**  $\pm 3^\circ$  F (1.6°C)

**Max Power:** 2640W@ 120VAC (22A)

**Max Power:** 4576W@208VAC (22A)

**Max Power:** 5280W@ 240VAC (22A)

**Max Power:** 4986W@ 277VAC (18A)

**Sensing Element:** Bi-metal

**Certification:**

### Installation

Single Pole wiring  
K101-C

