

Architectural Draft Barrier KDBA Series



Model Code:

KDBA	12	040	-731
A	B	C	D

- A: Series
- B: Volts (12=120, 24=240, 27=270)
- C: Watts (040=400)
- D: Length in mm (-731=731mm)

- Steel tubular heating elements with aluminum fins
- Front fresh air inlet or bottom (-BAI); top warm air outlet
- Standard watt density of 275W/ft. (900W/m)
- Low watt density of 200W/ft. (650W/m)
- Linear high-limit temperature control with automatic reset
- Standard color: bright white epoxy/polyester powder paint
- 18 gauge steel cabinet
- Available in 120, 208, 240, 277, 347 or 600 volts, 1 phase
- 1-year warranty against defects



The KDBA Series Draft Barrier

A compact, economical draft barrier. Made from steel the KDBA draft barrier is an economical alternative to the aluminum model, yet offering comparable performance. With its rectangular shape, the KDBA is perfect for wall-to-wall installations.

Ordering Information Standard models (275W/ft)

WATTS	240V/208V	208V (1 ph)	UPC	208V (3 ph)	UPC	240V/208V	UPC	277V	UPC	LENGTH	WT. (lbs.)
500	500/375	KDBA12050	31552	KDBA20050	31562	KDBA24050	31580	KDBA27050	31598	28 13/16	10.5
750	750/563	KDBA12075	31554	KDBA20075	31564	KDBA24075	31582	KDBA27075	31600	38 13/16	12.7
1000	1000/750	KDBA12100	31556	KDBA20100	31566	KDBA24100	31584	KDBA27100	31602	49 1/16	14.9
1250	1250/938	KDBA12125	31558	KDBA20125	31568	KDBA24125	31586	KDBA27125	31604	58 9/16	17
1500	1500/1125	KDBA12150	31560	KDBA20150	31570	KDBA24150	31588	KDBA27150	31606	67 1/4	18.8
1750	1750/1313			KDBA20175	31572	KDBA24175	31590	KDBA27175	31608	76 9/16	20.8
2000	2000/1500			KDBA20200	31574	KDBA24200	31592	KDBA27200	31610	85 3/8	22.7
2250	2250/1688			KDBA20225	31576	KDBA24225	31594	KDBA27225	31612	94 3/16	24.6
2500	2500/1875			KDBA20250	31578	KDBA24250	31596	KDBA27250	31314	103 3/8	26.6

Ordering Information Low density models (200W/ft)

WATTS	240V/208V	120V	UPC	208V	UPC	240V/208V	UPC	277V	UPC	LENGTH	WT. (lbs.)
400	400/225	KDBA12040-731	31616	KDBA20040-731	31628	KDBA24040-731	31646	KDBA27040-731	31664	28 13/16	10.5
600	600/375	KDBA12060-985	31618	KDBA20060-985	31630	KDBA24060-985	31648	KDBA27060-985	31666	38 13/16	12.7
800	800/563	KDBA12080-1246	31620	KDBA20080-1246	31632	KDBA24080-1246	31650	KDBA27080-1246	31668	49 1/16	14.9
1000	1000/750	KDBA12100-1487	31622	KDBA20100-1487	31634	KDBA24100-1487	31652	KDBA27100-1487	31670	58 9/16	17
1200	1200/938	KDBA12120-1708	31624	KDBA20120-1708	31636	KDBA24120-1708	31654	KDBA27120-1708	31672	67 1/4	18.8
1600	1600/1125	KDBA12160-2168	31626	KDBA20160-2168	31638	KDBA24160-2168	31656	KDBA27160-2168	31674	85 3/8	22.7
1800	1800/1313			KDBA20180-2393	31640	KDBA24180-2393	31658	KDBA27180-2393	31676	94 3/16	24.6
2000	2000/1500			KDBA20200-2625	31642	KDBA24200-2625	31660	KDBA27200-2625	31678	103 3/8	26.6
2250	2250/1688			KDBA20225-2625	31644	KDBA24225-2625	31662	KDBA27225-2625	31680	103 3/8	26.6

Specifications

Contractor shall supply and install KDBA Series electric heaters of the wattage and voltage as indicated on the plans.

Color: Standard: white, almond. Optional: metallic silver, bronze, metallic charcoal, aluminum, semi-gloss black. Custom colors available.

Finish: Standard: epoxy/polyester powder paint. Optional: steel plated.

Voltage: 120V, 208V, 240V/208V, 277V, 347V, 600V, 50/60 Hz, 1-phase.

Construction: 16-gauge steel front cover. 18-gauge satin coat steel cabinet.

Screw assembly for added strength. Full length built-in wireway. Front fresh air inlet or bottom (-BAI); top warm air outlet. Clean back available (-BD). Linear high-limit temperature control with automatic reset. High altitude version available (-HA). End caps included.

Heating Element: Stainless steel tubular heating element with aluminum fins.

Floating heating element on high-temperature nylon bushings eliminating expansion noises.

Watt Density: Standard watt density. Low watt density.

Control: Built-in thermostat available with a control knob or tamperproof. Mechanical, electronic or pneumatic relays available (installed on the right end only). King highly recommends the use of an electronic wall thermostat for greater comfort.

Installation: Heater must be installed at least 2 in. from finished floor (for -BAI option). Mounting holes spaced on 4 in. intervals for ease of installation. Wall or floor mounted installation. Variety of accessories available for wall-to-wall installation. Pedestal kit available.

Warranty: 1-year warranty against defects.

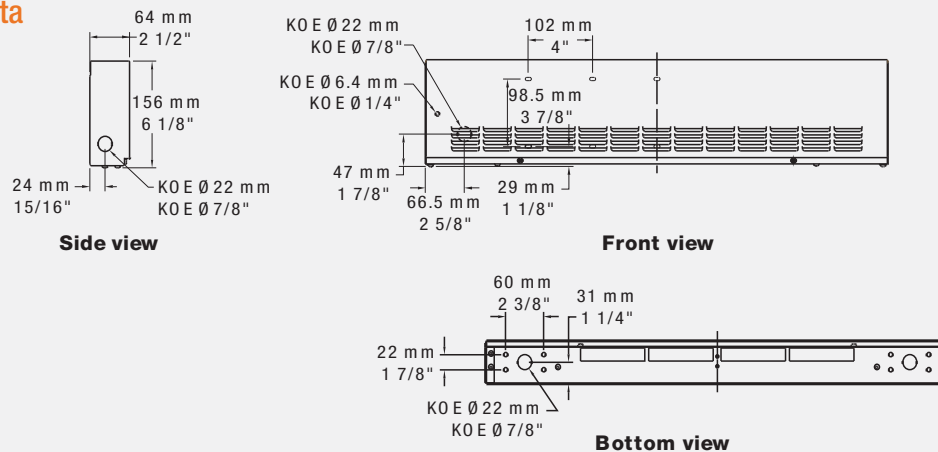
Application: Commercial building, office building, hospital, daycare center, private residence.

Architectural Draft Barrier KDBA Series

Options

ADD SUFFIX	DESCRIPTION
-BW	Bright White
-A	Almond Color
-AE	Metallic Silver
-BZ	Bronze
-CM	Metallic Charcoal
-AL	Aluminum
-NL	Semi-Gloss Black
-HA	High altitude version linear high-limit temperature control with automatic reset
-BAI	Bottom fresh air inlet

Dimensional Data



Control Options

MODEL	DESCRIPTION
KDBA-T-AV (1-3)	Single-pole tamperproof thermostat adjustable with a screwdriver
	120V, 208V, 240V/25A, 277V/10A
KDBA-T2-AV (1-2)	Double-pole tamperproof thermostat adjustable with a screwdriver
	120V, 208V, 240V/25A, 277V/10A
KDBA-T (1-3)	Single-pole thermostat with control knob
	120V, 208V, 240V/25A, 277V/10A
KDBA-T2 (1-2)	Double-pole thermostat with control knob
	120V, 208V, 240V/25A, 277V/10A
KDBA-RT-120	24V relay with transformer - 120V/22A
KDBA-RT-208	24V relay with transformer - 208V/22A
KDBA-RT-240	24V relay with transformer - 240V/22A
KDBA-RT-277	24V relay with transformer - 277V/19A
KDBA-R	24V relay without transformer
	120V, 208V, 240V/22A, 277V/19A
Product no-TRIAC	Factory installed 24V electronic relay 15A, 347V and less
Product no-TRIACT	Factory installed 24V electronic relay with transformer - 15A, 208V to 347V max.
Product no-PM	Factory installed pneumatic relay - 20A, 480V max.
Product no-DIS	Factory installed disconnect switch 20A, 277V max.

- 1) Setting range: 40°F to 100°F (5°C to 37°C)
- 2) "Off" position
- 3) Thermostat connect will remain open down to -31°F (-35°C) when set at its minimum

Accessories

MODEL	DESCRIPTION	DIMENSIONS (in)
KDBA-CI	Inside corner	4
KDBA-CE	Outside corner	4
KDBA-PE	Round pedestal kit (2)	3
KDBA-PEC	Square-shaped pedestal kit (2)	2
KDBA-JT	Splice plate	2
KDBA-JT-PE	Contour splice plate for BD option and/or heater with pedestals	2
Product no-HA	Factory installed linear high-limit temperature control for high altitude (6000 ft. to 8200 ft.)	
Product no-BD	Factory installed clean back	
KDBA-SV-XX	Empty cabinet with length XX mm	
Product no-BAI	Factory installed bottom fresh air inlet with smooth front panel	