

Compact Unit Heater KBP-LHP Series



Model Code:

KBP 24 06 -1 -S2 -MB -T -LHP
A B C D E F G H

- A: Series
- B: 12 - 120V 20 - 208V 24 - 240V
- C: Watts (950 to 5700)
- D: -1 = Single Phase
-3MP = Single or Three Phase
- E: -S2 = Series 2
- F: -MB = Mounting Bracket
- G: -T = In-Built Thermostat
- H: -HLP = High-Low Heat Switch & Pilot Lights



- Dual Pic-A-Watt® elements
- Multiple wattage selection
- Includes high/low heat switch
- Includes pilot lights for power indication & safety limit status
- Built-in thermostat or field-convert to remote line voltage stat
- 385 CFM output
- Aluminum fan blade
- Adjustable louvers to direct airflow
- Hinged electrical enclosure access
- Seattle energy code compliant
- Fan delay
- Easy-Connect thermostat terminal block
- Solid riveted construction for consistent, long-term durability
- Patented Smart Limit Protection®
- Universal (wall/ceiling) mounting bracket included
- Long life cast iron motor
- Standard color: onyx gray
- 5-year limited warranty

Multiple Wattage Compact Unit Heater With High-Low Switch & Indicator Lights

The KBP-LHP Series is a versatile multi wattage unit heater designed for improved control and easy installation. It includes a factory installed high/low heat switch and pilot lights for power and safety status, plus a built in thermostat that can be converted to a remote line voltage thermostat. Its rugged flow through design delivers fast even heat for residential and commercial spaces, while dual Pic-A-Watt steel fin elements provide flexible wattage options. An integral fan delay helps increase efficiency by continuing to disperse residual heat during cool down.

Ordering Information - Built-In Thermostat Models

MODEL	UPC	WATTS	MAX BTUH (000)	PHASE	VOLTS	AMPS	CFM	TEMP. RISE	AIR THROW	MAX MOUNT HEIGHT (ft.)	WT. (lbs.)
KBP1230-1-S2-MB-T-LHP	70715	2850-1900-950	9,727	1	120	23.8 - 7.9	385	23°F-8°F	12 ft.	8 ft.	26
KBP2005-1-S2-MB-T-LHP	70716	5000-4000-3600-2900-1450-950	17,060	1	208	24.0 - 4.6	385	47°F-8°F	12 ft.	8 ft.	24
KBP2406-1-S2-MB-T-LHP	70717	5700-4750-3800-2850-1900-950	19,454	1	240/208*	23.8 - 4.0	385	47°F-8°F	12 ft.	8 ft.	26

*Approved for 208V operation. Heater will draw 13% less Amps and 25% less wattage

Optional Field-Installed Control Kit

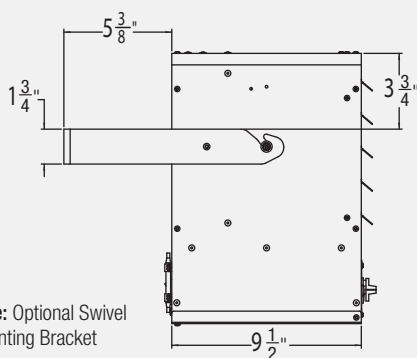
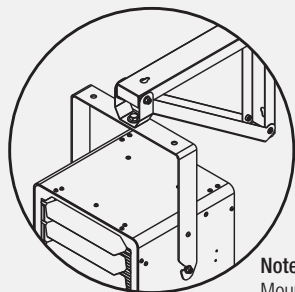
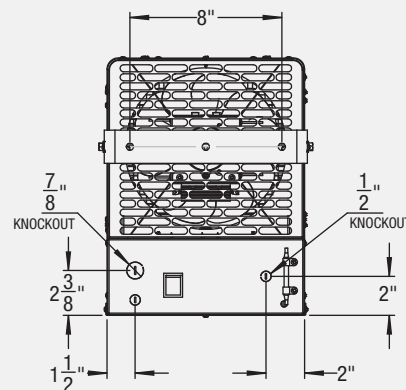
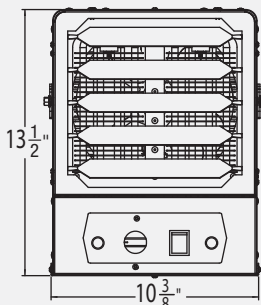
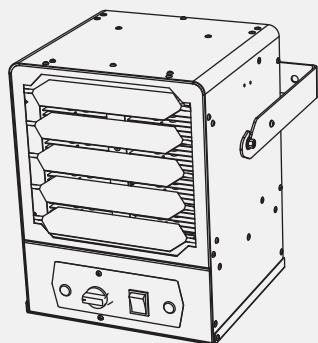
MODEL	UPC	DESCRIPTION
KBP-S2-T	70562	Single Pole In-Built Replacement Thermostat Kit
KBP-S2-SMB	70570	Optional Swivel Mounting Bracket
KBP-S2-MB	70571	Replacement Universal Mounting Bracket

TEMPERATURE RISE PER WATTAGE CHART

WATTS	BTUH	CFM	TEMP. RISE	WATTS	BTUH	CFM	TEMP. RISE
950	3,242	385	8	3800	12,969	385	31
1000	3,413	385	8	4000	13,652	385	33
1900	6,485	385	16	4160	14,198	385	34
2000	6,826	385	16	4750	16,212	385	39
2850	9,727	385	23	5700	19,454	385	47
3000	10,239	385	25	6000	20,478	385	49

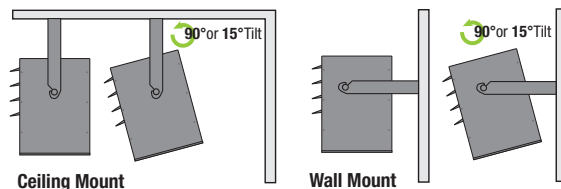
Dimensional Data

Minimum clearance from combustibles: 18" from front,
2" from top, 6" from sides and 5" from rear. Minimum clearance 6' from floor.



Note: Optional Swivel Mounting Bracket

Easy Installation



Engineering Specifications

Contractor shall supply and install KBP LHP Series unit heaters manufactured by King Electrical Mfg. Company. Heaters shall be of the wattage and voltage as indicated on the plans.

Construction: All exterior and interior enclosure components are fabricated from 20-gauge electrogalvanized steel with a rust-inhibiting baked enamel finish. Components are assembled using solid mechanical rivets rather than spot welding, eliminating heat-affected zones and hidden weld defects. Riveted joints are fully visible and inspectable, providing consistent structural integrity under vibration and thermal cycling. Smooth rounded corners provide a clean, modern appearance.

Pic-A-Watt Heating Element: Exclusive King multi-tap element allows field adjustment to several wattages at time of installation. Steel sheath elements of various resistance are copper brazed to steel plate fins producing a multi-wattage heating element.

Thermostat Options:

Built-in Thermostat: Single pole factory installed hydraulic capillary tube thermostat for precision heating control. Operating range 40° to 90° F. Includes an Easy-Connect thermostat terminal block to field convert to accept a line voltage (240V/25Amp) remote thermostat.

High/Low Heat Switch: Factory-installed, line-voltage rated high/low heat selector switch providing manual selection between two preset wattage outputs. Switch allows field operation without rewiring and maintains all safety limit protections in both heat settings.

Pilot Lights: Factory-installed pilot lights provide visual indication of heater status, including power-on operation and high-limit safety activation for quick diagnostics and safe operation.

Fan Delay Switch: The fan continues to operate after the thermostat shuts off in order to remove the residual heat left in the elements. Power must not be interrupted.

Adjustable Outlet Louver: Louvers direct air up or down as needed for the heating application.

Rear Intake Screen: Heavy gauge steel screen protects against foreign objects making accidental contact with the rotating fan blade.

CFM: 385

Universal Mounting Bracket: Combination ceiling/wall bracket is included with every heater. Allows for 15-degree downward tilt.

Unit Bearing Motor: Permanently lubricated, long life, unit bearing 4-Pole motor with 20 cc of oil. Enclosed rotor provides long-lasting, trouble-free operation. Thermally protected. 1500 RPM.

Patented Smart Limit Protection (U.S. Patent #6,748,163 B2): Equipped with King's patented thermal overload Smart Limit Protection®, which disconnects elements and motor in the event normal operating temperatures are exceeded. If thermal overload trips due to abnormal operating temperatures, thermal overload shall remain open until manually reset by turning the heater off for 15 minutes. Automatically reset of thermal overloads, which allow the element to continue to cycle under abnormal conditions, will not be accepted.

Standard Color: Onyx Gray

Easy Installation: A hinged quick access panel located on the bottom of the heater allows for quick wiring and easy maintenance for the life of the heater. Includes universal wall/ceiling bracket for simple installation.

Approval: cULus (E41422) Seattle Energy Code Compliant