



SUBMITTAL SHEET

Job Name: _____

Submitted By: _____

Date: _____

Location: _____

Architect: _____

Engineer: _____

Approved By: _____

Date: _____

Contractor: _____

Submitted By: _____

King Contact: _____

Quotes@king-electric.com

Date: _____

| Tag | Qty | Item Number | Watts | Volts | PH | Amps | Weight |
|-----|-----|-------------|-------|-------|----|------|--------|
| | | | | | | | |
| | | | | | | | |
| | | | | | | | |
| | | | | | | | |
| | | | | | | | |
| | | | | | | | |
| | | | | | | | |
| | | | | | | | |
| | | | | | | | |
| | | | | | | | |
| | | | | | | | |
| | | | | | | | |
| | | | | | | | |
| | | | | | | | |
| | | | | | | | |
| | | | | | | | |
| | | | | | | | |

Accessories

| Tag | Qty | Item Number |
|-----|-----|-------------|
| | | |
| | | |

Compact Convection Cabinet Heater KCC Series



Model Code:

| | | | | | | | |
|-----|-------|-----|----|----|----|----|------|
| KCC | 2/3/4 | -24 | 20 | -1 | -R | -T | -DS1 |
| A | B | C | D | E | F | G | H |

A: Series
B: Length
C: 20 - 208V 24 - 240V
 27 - 277V 48 - 480V
D: Watts (20=2000 - 50=5000)
E: -1 single phase -3 three phase
F: Recess or Surface mount
G: Single Pole Thermostat
H: Double Pole Disconnect Switch

- Convection heat
- Aluminum fin element
- Silent running
- Powder-coated
- Standard color: almond
- High mass ceramic heating-core
- 18 gauge cabinet
- 1 or 3-phase
- Capillary tube safety limit
- 5-year limited warranty



The KCC Series Cabinet Heater

The King heavy-duty KCC cabinet heater can be placed almost anywhere. Typical uses are hall or entryways where a deep cabinet heater would be too intrusive. The slim design is great for schools, office, air terminals, auditoriums, apartments, restaurants, churches, factory's, theaters and other locations where a clean impact resistant 18 gauge construction and entry way or comfort heating is needed. The KCC uses the time tested ceramic core heating elements that King developed over 50 years ago and have a very long life. Available in a slim 4" surface mount or the recess in wall installation. A sub-base is available when installing close to the floor to fill the gap. Thermostats, Contactors and Disconnect switches are available as options. Textured powder coated finish in an almond color.

Ordering Information - single phase

| | MODEL | VOLTS | WATTS | 1-PH AMPS | BTUH(000) | CONTROL VOLTAGE | LENGTH | SHIP WEIGHT lbs |
|-------------|-------------|-------|-------|-----------|-----------|-----------------|--------|-----------------|
| 208V | KCC2-2010-1 | 208 | 1000 | 4.8 | 3.4 | 208V | 24" | 30 |
| | KCC2-2020-1 | 208 | 2000 | 9.6 | 6.8 | 208V | 24" | 30 |
| | KCC3-2030-1 | 208 | 3000 | 14.4 | 10.2 | 208V | 36" | 40 |
| | KCC4-2040-1 | 208 | 4000 | 19.2 | 13.6 | 208V | 48" | 50 |
| | KCC4-2050-1 | 208 | 5000 | 24 | 17 | 208V | 48" | 50 |
| 240V | KCC2-2410-1 | 240 | 1000 | 4.2 | 3.4 | 240V | 24" | 30 |
| | KCC2-2420-1 | 240 | 2000 | 8.3 | 6.8 | 240V | 24" | 30 |
| | KCC3-2430-1 | 240 | 3000 | 12.5 | 10.2 | 240V | 36" | 40 |
| | KCC4-2440-1 | 240 | 4000 | 16.7 | 13.6 | 240V | 48" | 50 |
| | KCC4-2450-1 | 240 | 5000 | 20.8 | 17 | 240V | 48" | 50 |
| 277V | KCC2-2710-1 | 277 | 1000 | 3.6 | 3.4 | 277V | 24" | 30 |
| | KCC2-2720-1 | 277 | 2000 | 7.2 | 6.8 | 277V | 24" | 30 |
| | KCC3-2730-1 | 277 | 3000 | 10.3 | 10.2 | 277V | 36" | 40 |
| | KCC4-2740-1 | 277 | 4000 | 14.4 | 13.6 | 277V | 48" | 50 |
| | KCC4-2750-1 | 277 | 5000 | 18 | 17 | 277V | 48" | 50 |
| 480V | KCC2-4810-1 | 480 | 1000 | 2.1 | 3.4 | 24V | 24" | 30 |
| | KCC2-4820-1 | 480 | 2000 | 4.2 | 6.8 | 24V | 24" | 30 |
| | KCC3-4830-1 | 480 | 3000 | 6.5 | 10.2 | 24V | 36" | 40 |
| | KCC4-4840-1 | 480 | 4000 | 8.3 | 13.6 | 24V | 48" | 50 |
| | KCC4-4850-1 | 480 | 5000 | 10.4 | 17 | 24V | 48" | 50 |

*Note: 480V models come standard w/24V contactor & transformer

Ordering Information - three phase

| | MODEL | VOLTS | WATTS | 3-PH AMPS | BTUH(000) | CONTROL VOLTAGE | LENGTH | SHIP WEIGHT lbs |
|-------------|-------------|-------|-------|-----------|-----------|-----------------|--------|-----------------|
| 208V | KCC2-2010-3 | 208 | 1000 | 2.8 | 3.4 | 208V | 24" | 30 |
| | KCC2-2020-3 | 208 | 2000 | 5.6 | 6.8 | 208V | 24" | 30 |
| | KCC3-2030-3 | 208 | 3000 | 8.3 | 10.2 | 208V | 36" | 40 |
| | KCC4-2040-3 | 208 | 4000 | 11.1 | 13.6 | 208V | 48" | 50 |
| | KCC4-2050-3 | 208 | 5000 | 13.9 | 17 | 208V | 48" | 50 |
| 240V | KCC2-2410-3 | 240 | 1000 | 2.4 | 3.4 | 240V | 24" | 30 |
| | KCC2-2420-3 | 240 | 2000 | 4.8 | 6.8 | 240V | 24" | 30 |
| | KCC3-2430-3 | 240 | 3000 | 7.2 | 10.2 | 240V | 36" | 40 |
| | KCC4-2440-3 | 240 | 4000 | 9.6 | 13.6 | 240V | 48" | 50 |
| | KCC4-2450-3 | 240 | 5000 | 12.0 | 17 | 240V | 48" | 50 |

Compact Convection Cabinet Heater KCC Series

Ordering Information - three phase

| MODEL | VOLTS | WATTS | 3-PH AMPS | BTUH(000) | CONTROL VOLTAGE | LENGTH | SHIP WEIGHT lbs |
|-------------|-------|-------|-----------|-----------|-----------------|--------|-----------------|
| KCC2-4810-3 | 480 | 1000 | 1.2 | 3.4 | 24V | 24" | 30 |
| KCC2-4820-3 | 480 | 2000 | 2.4 | 6.8 | 24V | 24" | 30 |
| KCC3-4830-3 | 480 | 3000 | 3.6 | 10.2 | 24V | 36" | 40 |
| KCC4-4840-3 | 480 | 4000 | 4.8 | 13.6 | 24V | 48" | 50 |
| KCC4-4850-3 | 480 | 5000 | 6 | 17 | 24V | 48" | 50 |

*Note: 3-Phase Models Come Standard with Power Contactor. 480V models come standard w/24V contactor & transformer

Factory Installed Options

| ADD SUFFIX | DESCRIPTION |
|------------|----------------|
| -R | Recessed Mount |
| -S | Surface Mount |

Field Installed Accessories

| MODEL | UPC | DESCRIPTION |
|----------|-------|---|
| KC-SB-24 | 20319 | KC ACCY SUB-FLOOR BASE 24" WIDE, 2" TALL, 3" DEEP |
| KC-SB-36 | 20316 | KC ACCY SUB-FLOOR BASE 36" WIDE, 2" TALL, 3" DEEP |
| KC-SB-48 | 20317 | KC ACCY SUB-FLOOR BASE 48" WIDE, 2" TALL, 3" DEEP |

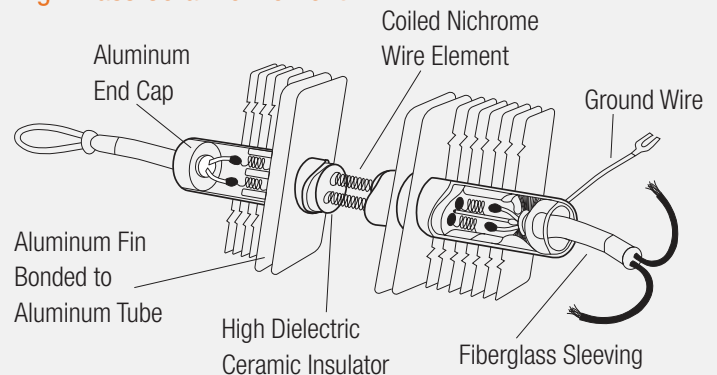
Factory Installed Control Options

| ADD SUFFIX | DESCRIPTION |
|------------|--|
| -RT | Line Voltage Terminal Block |
| -CX | Power Contactor (1-Phase Models Only) - Comes Standard on 3-Phase Models |
| -RT24 | 24 Volt Contactor & Transformer - Comes Standard on 480V Models |
| -DS1 | Double Pole Disconnect Switch (1-Phase) |
| -DS3 | Three Pole Disconnect Switch (3-Phase) |
| -T | 25 Amp Single Pole Thermostat w/Knob |
| -T2 | 25 Amp Double Pole Thermostat w/Knob |
| -TP | 25 Amp Tamperproof (Slotted Shaft), Single Pole |

Control Options

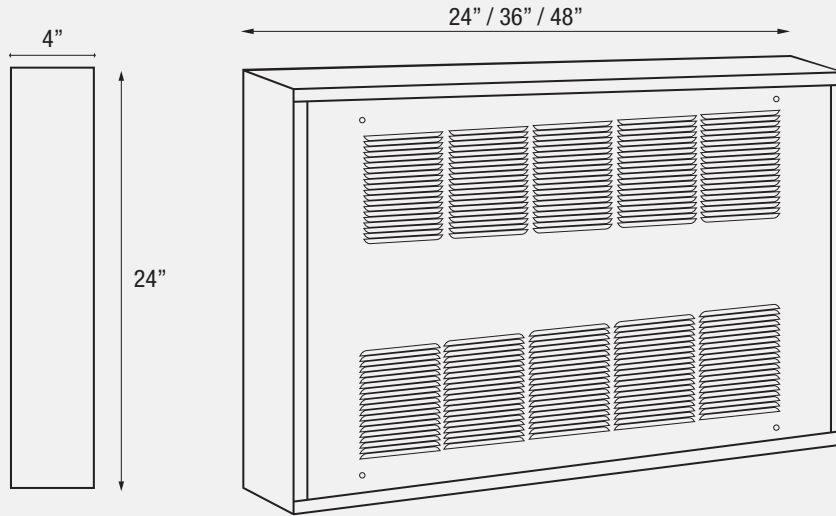
- A line voltage terminal block can be provided for wiring to a remote line voltage thermostat.
- A power contactor with line voltage coil can be provided to remotely switch the heater.
Optional for 1-Phase Models Only-Comes Standard on 3-Phase Models
- A power contactor and 24V transformer can be provided to remotely switch the heater. Standard on 480V models.
- A 2-Pole disconnect switch can be provided for 1-Phase heaters.
- A 3-Pole disconnect can be provided for 3-Phase heaters.
- A floor sub-base can be provided for direct floor contact.
- A built-in 1-Pole thermostat can be provided for convenience.
- A built-in 2-Pole thermostat can be provided for convenience.
- A tamperproof built-in thermostat can be provided without a knob, temperature adjustments are made with a screw driver.

High Mass Ceramic Element

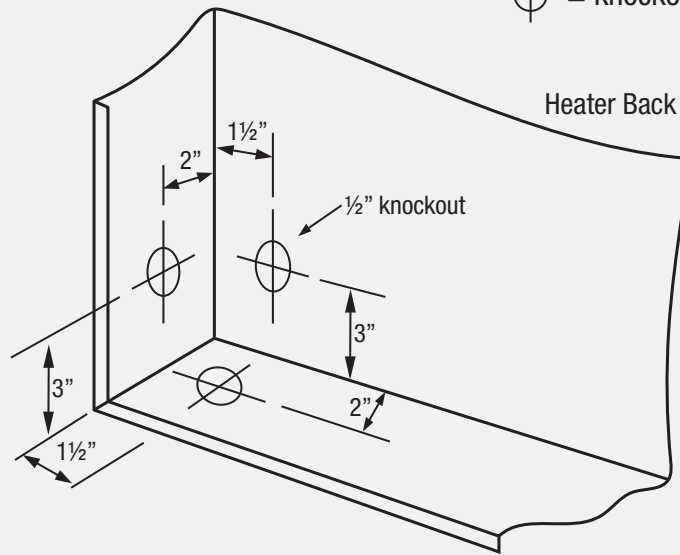


Compact Convection Cabinet Heater KCC Series

Dimensional Data



= knockout location



Engineering Specifications

Contractor shall supply and install KCC Series cabinet heaters manufactured by King Electrical Mfg. Company. Heaters shall be of the wattage and voltage as indicated on the plans.

Construction: Heaters shall be constructed in 18 gauge galvanized Steel with epoxy powder-coated manufacturer's standard finish. A louvered front cover with intake and outlet grille will protect element area and provide ample air flow to dissipate heated air.

Element: The superior performance comes from the proven technology of the ceramic thermal storage heater core. A 7/8" diameter aluminum tube is filled with a special high density ceramic that stores the thermal energy. The oversized fins (4.875 in²) are made from durable (0.015" thick) high grade aluminum which produces better heat transfer than other elements. The benefit of the technology comes when the thermostat

is turned off and the element continues to radiate heat.

It also reduces temperature swings by heating and cooling more evenly. A fired refractory ceramic core with two large diameter Nickel Chromium coils attached with high temperature Nickel connectors and stranded Nickel wire, terminated in a junctionbox.

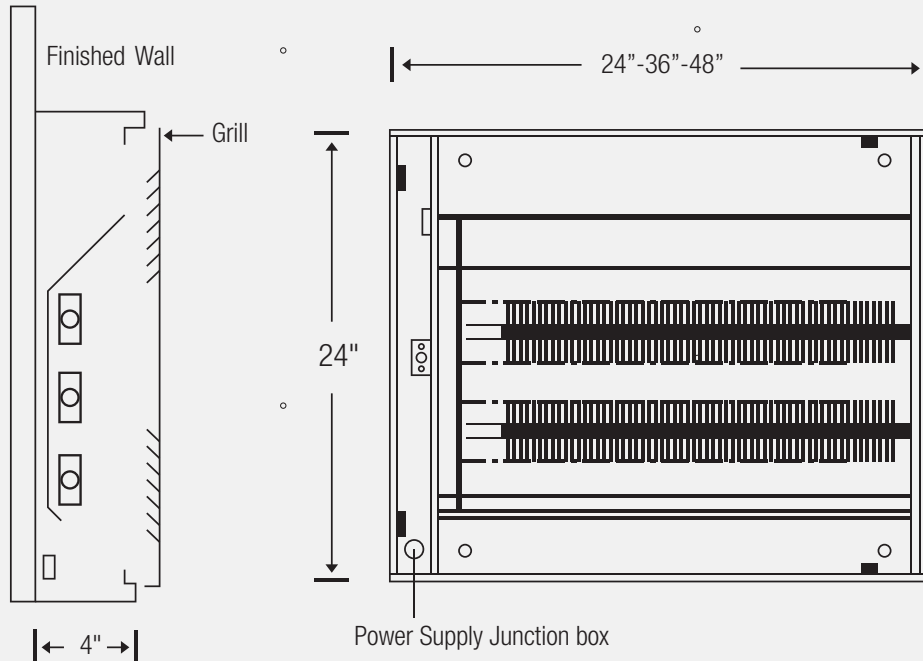
Controls: A built-in thermal cutout shall automatically shut off the heater in case of overheating. A built-in thermostat for temperature control will have a range from 40° - 95°F and be of the high accuracy capillary tube-type. Disconnect switches in junctionbox will be provided if necessary.

Approvals: cULus

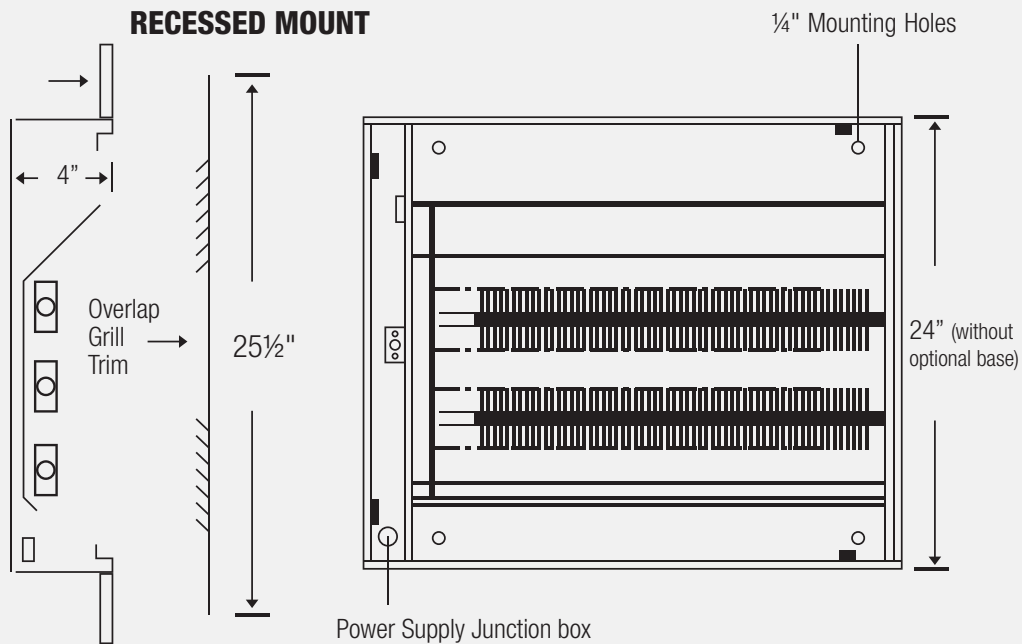
Compact Convection Cabinet Heater KCC Series

Mounting Data

SURFACE MOUNT



RECESSED MOUNT



MOUNTING NOTE: 1" minimum mounting height from finished floor to allow clearance for the grill overlap.