



SUBMITTAL SHEET

Job Name: _____

Submitted By: _____

Date: _____

Location: _____

Architect: _____

Engineer: _____

Approved By: _____

Date: _____

Contractor: _____

Submitted By: _____

King Contact: _____

Quotes@king-electric.com

Date: _____

Tag	Qty	Item Number	Watts	Volts	PH	Amps	Weight

Accessories

Tag	Qty	Item Number

Safe Touch Cabinet Heater KCF Series



Model Code:

KCC 2/3/4 -24 20 -1 -R -T -DS1 -PW
A B C D E F G H I

- A: Series
- B: Length
- C: 20 - 208V 24 - 240V
27 - 277V 48 - 480V
- D: Watts (20=2000 - 50=5000)
- E: -1 single phase -3 three phase
- F: Recess or Surface mount
- G: Single Pole Thermostat
- H: Double Pole Disconnect Switch
- I: Cabinet Color

- 120°F max surface temperature safe to touch case
- Designed for assisted living facilities, daycare centers, memory care centers, or any facility w/ high-risk occupants
- Low density heat output
- Fan-Forced heat
- High mass ceramic heating-core w/ aluminum fins
- Low noise squirrel cage blower
- Capillary tube safety limit
- Heavy duty 18 gauge cabinet
- 208/240/277 & 480V models
- 1 or 3 phase models available
- Available in (5) designer colors
- 5-year limited warranty



The KCF Series Safe Touch Cabinet Heater

The KCF Safe Touch heater is intended for areas that are required to have surface temperatures below 125 degrees F. These areas are typically, day care centers, memory care centers, common areas where wheel chair patients may be placed or anywhere a temperature of an electric heater over 125 degrees could cause someone to accidentally burn themselves over time. Many older care centers have implemented this type of heater replacing the old style high wattage baseboards as it has been enforced by inspectors and required by code to keep their patients safe. Heavy duty front covers and our Ceramic Core heating element makes this a long lasting heater with virtually no maintenance required. Optional: Sub-base for mounting close to the floor, inbuilt thermostat factory or tamperproof thermostat may be installed. Heaters can be ganged together to work on one thermostat if higher output is required. Not for residential use unless the manual reset option is added. Textured powder coated finish, available in (5) designer colors.

5 DESIGNER COLORS AVAILABLE



Pearl White White Dove Almondine Satin Nickel Oiled Bronze

Ordering Information - single phase *Add suffix -R for Recessed Mount, -S for Surface Mount, -PW for Pearl White Grill, -W for White Dove Grill, -A for Almondine Grill, -SN for Satin Nickel Grill, -OB for Oiled Bronze Grill

	MODEL	VOLTS	WATTS	1-PH AMPS	BTUH	CONTROL VOLTAGE	#of BLOWERS	CFM	LENGTH	SHIP WEIGHT lbs
208V	KCF2-2005-1	208	500	2.4	1.7	208V	1	70	24"	35
	KCF3-2007-1	208	750	3.6	2.6	208V	1	70	36"	35
	KCF4-2015-1	208	1500	7.2	5.1	208V	2	140	48"	45
	KCF4-2020-1	208	2000	9.6	6.8	208V	3	210	48"	55
240V	KCF2-2405-1	240	500	2.1	1.7	240V	1	70	24"	35
	KCF3-2407-1	240	750	3.1	2.6	240V	1	70	36"	35
	KCF4-2415-1	240	1500	6.3	5.1	240V	2	140	48"	45
	KCF4-2420-1	240	2000	8.3	6.8	240V	3	210	48"	55
277V	KCF2-2705-1	277	500	1.8	1.7	277V	1	70	24"	35
	KCF3-2707-1	277	750	2.7	2.6	277V	1	70	36"	35
	KCF4-2715-1	277	1500	5.4	5.1	277V	2	140	48"	45
	KCF4-2720-1	277	2000	7.2	6.8	277V	3	210	48"	55
480V	KCF2-4805-1	480	500	1.0	1.7	277V	1	70	24"	35
	KCF3-4807-1	480	750	1.6	2.6	277V	1	70	36"	35
	KCF4-4815-1	480	1500	3.1	5.1	277V	2	140	48"	45
	KCF4-4820-1	480	2000	4.2	6.8	277V	3	210	48"	55

Safe Touch Cabinet Heater KCF Series

Ordering Information - three phase *Add suffix -R for Recessed Mount, -S for Surface Mount, -PW for Pearl White Grill, -W for White Dove Grill, -A for Almondine Grill, -SN for Satin Nickel Grill, -OB for Oiled Bronze Grill

	MODEL	VOLTS	WATTS	3-PH AMPS	BTUH	CONTROL VOLTAGE	#of BLOWERS	CFM	LENGTH	SHIP WEIGHT lbs
208V	KCF2-2010-3	208	1000	2.8	3.442	208V	1	70	24"	35
	KCF2-2020-3	208	2000	5.6	6.8	208V	1	70	24"	35
	KCF3-2030-3	208	3000	8.3	10.2	208V	2	140	36"	45
	KCF4-2040-3	208	4000	11.1	13.6	208V	3	210	48"	55
	KCF4-2050-3	208	5000	13.9	17	208V	3	210	48"	55
240V	KCF2-2410-3	240	1000	2.4	3.4	240V	1	70	24"	30
	KCF2-2420-3	240	2000	4.8	6.8	240V	1	70	24"	35
	KCF3-2430-3	240	3000	7.2	10.2	240V	2	140	36"	45
	KCF4-2440-3	240	4000	9.6	13.6	240V	3	210	48"	55
	KCF4-2450-3	240	5000	12.0	17	240V	3	210	48"	55
480V	KCF2-4810-3	480	1000	1.2	3.4	277V	1	70	24"	30
	KCF2-4820-3	480	2000	2.4	6.8	277V	1	70	24"	35
	KCF3-4830-3	480	3000	3.6	10.2	277V	2	140	36"	45
	KCF4-4840-3	480	4000	4.8	13.6	277V	3	210	48"	55
	KCF4-4850-3	480	5000	6	17	277V	3	210	48"	55

*Note: 3-Phase models come standard with power contactor

Factory Installed Options **Add suffix -R for Recessed Mount, -S for Surface Mount, -PW for Pearl White Grill, -W for White Dove Grill, -A for Almondine Grill, -SN for Satin Nickel Grill, -OB for Oiled Bronze Grill

ADD SUFFIX	DESCRIPTION
-R	Recessed Mount
-S	Surface Mount
-PW	Pearl White Finished Cabinets
-WD	White Dove Finished Cabinets
-AD	Almondine Finished Cabinets
-SN	Satin Nickel Finished Cabinets
-OB	Oiled Bronze Finished Cabinets

**Required factory installed options

Field Installed Accessories

MODEL	UPC	DESCRIPTION
KC-SB-24	20319	KC ACCY SUB-FLOOR BASE 24" WIDE, 2" TALL, 3" DEEP
KC-SB-36	20316	KC ACCY SUB-FLOOR BASE 36" WIDE, 2" TALL, 3" DEEP
KC-SB-48	20317	KC ACCY SUB-FLOOR BASE 48" WIDE, 2" TALL, 3" DEEP

Factory Installed Control Options

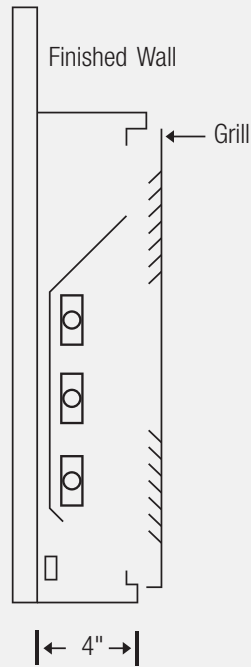
ADD SUFFIX	DESCRIPTION
-RT	Line Voltage Terminal Block
-CX	Power Contactor (1-Phase Models Only) *Comes Standard on 3-Phase Models
-RT24	24 Volt Contactor & Transformer
-3PS	3-Position Switch
-DS1	Double Pole Disconnect Switch (1-Phase)
-DS3	Three Pole Disconnect Switch (3-Phase)
-T	25 Amp Single Pole Thermostat w/Knob
-T2	25 Amp Double Pole Thermostat w/Knob
-TP	25 Amp Tamperproof (slotted shaft), single pole

Control Options

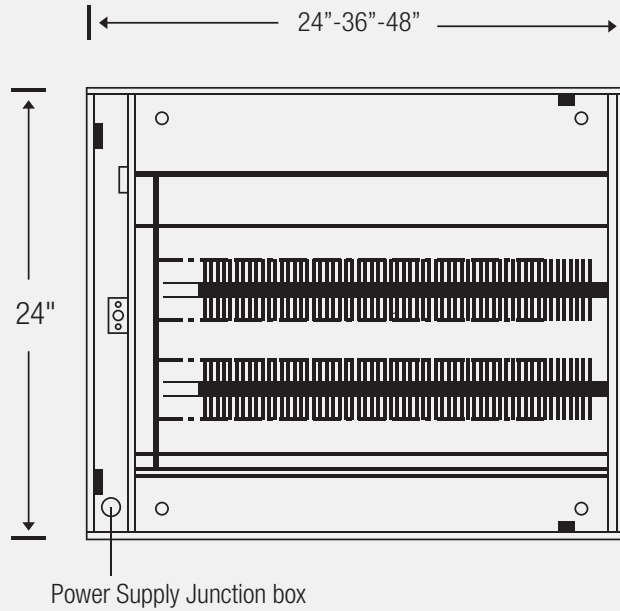
- A line voltage terminal block can be provided for wiring to a remote line voltage thermostat.
- A power contactor with line voltage coil can be provided to remotely switch the heater. Optional for 1-Phase Models Only-Comes Standard on 3-Phase Models
- A power contactor and 24V transformer can be provided to remotely switch the heater. Standard on 480V models.
- A 2-Pole disconnect switch can be provided for 1-Phase heaters.
- A 3-Pole disconnect can be provided for 3-Phase heaters.
- A floor sub-base can be provided for direct floor contact.
- A built-in 1-Pole thermostat can be provided for convenience
- A built-in 2-Pole thermostat can be provided for convenience.
- A tamperproof built-in thermostat can be provided without a knob, temperature adjustments are made with a screw driver.

Safe Touch Cabinet Heater KCF Series

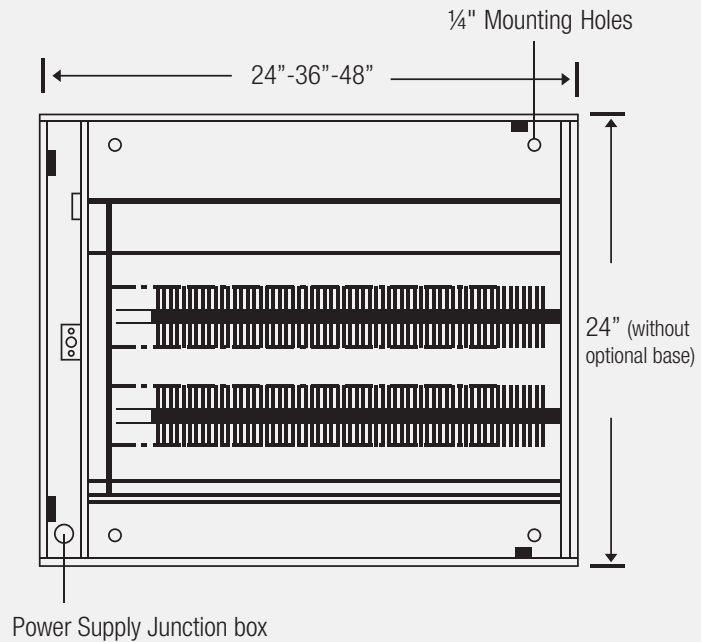
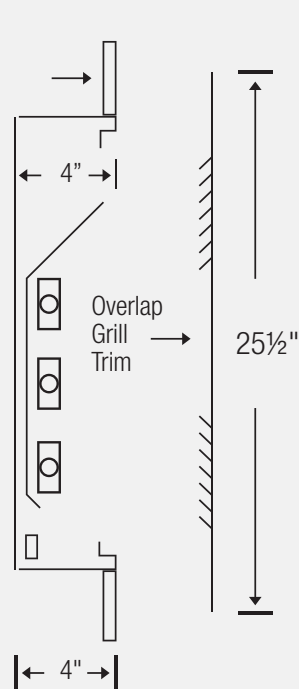
Dimensional & Mounting Data



SURFACE MOUNT MODELS



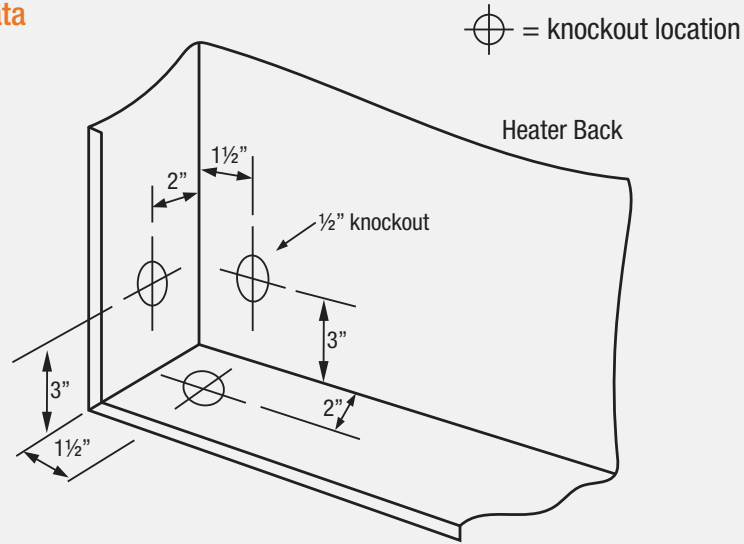
RECESSED MOUNT MODELS



MOUNTING NOTE: 1" minimum mounting height from finished floor to allow clearance for the grill overlap.

Safe Touch Cabinet Heater KCF Series

Dimensional & Mounting Data



Engineering Specifications

Contractor shall supply and install KCC Series cabinet heaters manufactured by King Electrical Mfg. Company. Heaters shall be of the wattage and voltage as indicated on the plans.

Construction: Heaters shall be constructed in 18 gauge galvanized Steel with epoxy powder-coated manufacturer's standard finish. A louvered front cover with intake and outlet grille will protect element area and provide ample air flow to dissipate heated air.

Element: The superior performance comes from the proven technology of the ceramic thermal storage heater core. A 7/8" diameter aluminum tube is filled with a special high density ceramic that stores the thermal energy. The oversized fins (4.875 in²) are made from durable (0.015" thick) high grade aluminum which produces better heat transfer than other elements. The benefit of the technology comes when the thermostat

is turned off and the element continues to radiate heat. It also reduces temperature swings by heating and cooling more evenly. A fired refractory ceramic core with two large diameter Nickel Chromium coils attached with high temperature Nickel connectors and stranded Nickel wire, terminated in a junctionbox.

Controls: A built-in thermal cutout shall automatically shut off the heater in case of overheating. An optional built-in thermostat for temperature control will have a range from 40°- 95°F and be of the high accuracy capillary tube-type. Optional disconnect switches in junctionbox will be provided if necessary.

Cabinet Colors: Epoxy powder coated in pearl white, white dove, almondine, satin nickel & oiled bronze.

Approvals: cULus

High Mass Ceramic Element

