



High Air Velocity Unit Heater KFUH ECO2S Series



Model Code:

| | | | | | |
|------|----|----|----|------|------|
| KFUH | 24 | 10 | -1 | -2S1 | -ECM |
| A | B | C | D | E | F |

A: Series
B: 20 - 208V 24 - 240V
C: Kilowatts
D: 1 or 3-phase
E: 2-Stage heating
F: Energy efficient motor (ECM)

Shown with KFUH DIFFUSER. KFUH DIFFUSER required for this heater and is sold separately



- Energy efficient ECM motor
- 2-Stage Energy-Saving Heating**
- Heavy duty open coil element
- Dual inlet industrial blower
- Horizontal or vertical mount
- Direct drive air over type motor
- Adjustable louver hood (sold separately)
- Quiet switching relays
- Replaceable intake filter
- 24 Volt control
- Ductable on intake and outlet
- Fan-only relay
- 5 speeds
- 5-year limited warranty



The KFUH ECO2S High Air Velocity Unit Heater

ENERGY SAVINGS meets MAXIMUM COMFORT with the ECM Motor & 2-Stage Heating**

The KFUH ECO2S Model adds a state of the art electronically controlled motor and 2 heating stages for added comfort and Maximum Energy Savings. The KFUH series commercial unit heater is an efficient, dependable unit heater perfectly suited for high ceiling applications such as warehouses, parking garages and docks. Offering 2-stage energy-saving heat output (-2S Models Only) when paired with a 2-stage 24V thermostat (purchased separately). The 5-speed, ECM motor and blower quietly delivers large volumes of air ranging from 832 to 4308 CFM minimum. With riveted mounting channels on the unit, the heater may be mounted at any angle. Safety screens are provided at both the air intake and discharge aperture. The intake filter is replaceable. Thermostat may be ordered separately.

FIELD WIRING: Terminal blocks are supplied for field wiring on all units. Consult the National Electric Code for proper wire size and service circuit breaker protection. **CONTROL WIRING:** Connect low voltage thermostat to terminals R and W on the low voltage terminal block. For fan only operation connect terminals R and G with a switch or thermostat fan switch. Unit shown with standard diffuser model # KFUH DIFFUSER ordered separately.

Unit shown with standard diffuser model # KFUH DIFFUSER ordered separately. Additional diffusers are located on the 3rd page of this specification sheet.

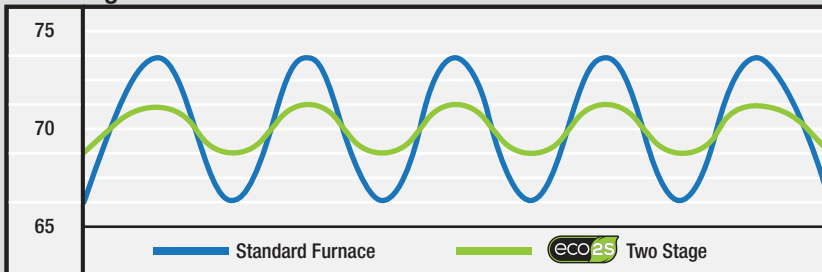
TWO STAGE COMFORT Why 2 Stage is Better

2 Stage controlled Furnaces allow you to use less energy during mild Spring and Fall temperatures. It's like having a smaller furnace installed just for spring and fall, then when winter hits you have the reserve power of the second heating stage to fight off the cold weather. It also has the benefit of creating more even comfort temperatures.

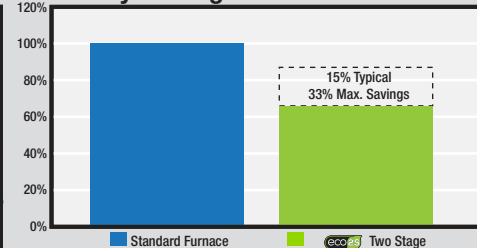
***Note:** 2-stage heat output (-2S Models Only) when paired with a 2-stage 24V thermostat (purchased separately).

The Furnace will run a percentage longer to reach the room temperature so the ECM motors efficiency is key to getting the most out of your Furnace.

Two Stage Comfort

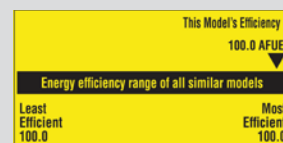


Yearly Savings



The KFUH ECO2S is more efficient and will save you up to 33% more per year versus standard furnace motors

- Designed for extended life
- Energy efficient
- Improved reliability
- Cooler operating temperature
- 5 speeds
- 15% 2 Stage



High Air Velocity Unit Heater KFUH ECO2S Series

Ordering Information- single phase

| MODEL | kilo WATTS | BTUH (000) | PHASE | VOLTS | AMPS | STAGE 1 | STAGE 2 | ELEMENTS | THERMOSTAT CONTROL VOLTAGE | MOTOR HP | CFM | TEMP. RISE RANGE | EFFECTIVE AIR THROW | SIZE | WT. (lbs.) |
|--------------------|------------|------------|-------|----------|----------------|---------|---------|----------|----------------------------|----------|-----------|------------------|---------------------|--------|------------|
| KFUH2004-1-ECM | 3.8 | 12.8 | 1 | 208 | 18.3 | 4kW | **N/A | 1 | 24 | 1/3 | 708-1536 | 8-18 | 75ft. | Fig. A | 57 |
| KFUH2005-1-ECM | 5 | 17.1 | 1 | 208 | 24 | 5kW | **N/A | 1 | 24 | 1/3 | 708-1536 | 10-22 | 75ft. | Fig. A | 57 |
| KFUH2008-1-2S1-ECM | 8 | 27.3 | 1 | 208 | 38.5 | 4.25kW | 3.75kW | 2 | 24 | 1/3 | 708-1536 | 16-36 | 75ft. | Fig. A | 57 |
| KFUH2010-1-2S1-ECM | 10 | 34.1 | 1 | 208 | 48.1 | 5kW | 5kW | 2 | 24 | 1/3 | 708-1536 | 21-45 | 75ft. | Fig. A | 65 |
| KFUH2012-1-2S1-ECM | 11.5 | 39.2 | 1 | 208 | 55.3 | 7.5kW | 4kW | 3 | 24 | 1/3 | 708-1536 | 25-54 | 75ft. | Fig. A | 74 |
| KFUH2015-1-2S1-ECM | 15 | 51.2 | 1 | 208 | 72.1 | 10kW | 5kW | 3 | 24 | 1/3 | 708-1536 | 31-67 | 75ft. | Fig. A | 74 |
| KFUH2018-1-2S1-ECM | 17.3 | 58.9 | 1 | 208 | 83.2 | 8.65kW | 8.65kW | 4 | 24 | 1/3 | 708-1536 | 35-77 | 75ft. | Fig. B | 74 |
| KFUH2020-1-2S1-ECM | 20 | 68.3 | 1 | 208 | 96.2 | 10kW | 10kW | 4 | 24 | 1/2 | 1258-1771 | 36-50 | 90ft. | Fig. B | 76 |
| KFUH2025-1-2S1-ECM | 25 | 85.3 | 1 | 208 | 120.2 | 15kW | 10kW | 5 | 24 | 1/2 | 1258-1771 | 45-63 | 90ft. | Fig. B | 81 |
| KFUH2030-1-2S1-ECM | 30 | 102.4 | 1 | 208 | 144.2 | 20kW | 10kW | 6 | 24 | 3/4 | 1592-2142 | 44-60 | 110ft. | Fig. B | 85 |
| KFUH2404-1-ECM | 4 | 13.7 | 1 | 240/208* | 16.7 / 14.4* | 4kW | **NA | 1 | 24 | 1/3 | 708-1536 | 8-18 | 75ft. | Fig. A | 57 |
| KFUH2405-1-ECM | 5 | 17.1 | 1 | 240/208* | 20.8 / 18* | 5kW | **N/A | 1 | 24 | 1/3 | 708-1536 | 10-22 | 75ft. | Fig. A | 57 |
| KFUH2408-1-2S1-ECM | 8 | 27.3 | 1 | 240/208* | 33.3 / 28.8* | 4kW | 4kW | 2 | 24 | 1/3 | 708-1536 | 16-36 | 75ft. | Fig. A | 57 |
| KFUH2410-1-2S1-ECM | 10 | 34.1 | 1 | 240/208* | 41.7 / 36.1* | 5kW | 5kW | 2 | 24 | 1/3 | 708-1536 | 21-45 | 75ft. | Fig. A | 65 |
| KFUH2412-1-2S1-ECM | 12 | 41 | 1 | 240/208* | 50 / 43.3* | 5.75kW | 5.75kW | 2 | 24 | 1/3 | 708-1536 | 25-54 | 75ft. | Fig. A | 74 |
| KFUH2415-1-2S1-ECM | 15 | 51.2 | 1 | 240/208* | 62.5 / 54.1* | 10kW | 5kW | 3 | 24 | 1/3 | 708-1536 | 31-67 | 75ft. | Fig. A | 74 |
| KFUH2418-1-2S1-ECM | 17.3 | 58.9 | 1 | 240/208* | 72.1 / 62.4* | 11.5kW | 5.75kW | 3 | 24 | 1/3 | 708-1536 | 35-77 | 75ft. | Fig. A | 74 |
| KFUH2420-1-2S1-ECM | 20 | 68.3 | 1 | 240/208* | 83.3 / 72.1* | 10kW | 10kW | 4 | 24 | 1/2 | 1258-1771 | 36-50 | 90ft. | Fig. B | 76 |
| KFUH2425-1-2S1-ECM | 25 | 85.3 | 1 | 240/208* | 104.2 / 90.1* | 15kW | 10kW | 5 | 24 | 1/2 | 1258-1771 | 45-63 | 90ft. | Fig. B | 81 |
| KFUH2430-1-2S1-ECM | 30 | 102.4 | 1 | 240/208* | 125 / 108.2* | 20kW | 10kW | 6 | 24 | 3/4 | 1592-2142 | 44-60 | 110ft. | Fig. B | 85 |
| KFUH2435-1-2S1-ECM | 34.5 | 117.7 | 1 | 240/208* | 143.8 / 124.4* | 23kW | 11.5kW | 6 | 24 | 3/4 | 1592-2142 | 52-69 | 110ft. | Fig. B | 85 |
| KFUH4804-1-ECM | 4 | 13.7 | 1 | 480 | 8.3 | 4kW | **N/A | 1 | 24 | 1/3 | 708-1536 | 8-18 | 75ft. | Fig. A | 57 |
| KFUH4805-1-ECM | 5 | 17.1 | 1 | 480 | 10.4 | 5kW | **N/A | 1 | 24 | 1/3 | 708-1536 | 10-22 | 75ft. | Fig. A | 57 |
| KFUH4808-1-2S1-ECM | 8 | 27.3 | 1 | 480 | 16.7 | 4kW | 4kW | 2 | 24 | 1/3 | 708-1536 | 16-36 | 75ft. | Fig. A | 57 |
| KFUH4810-1-2S1-ECM | 10 | 34.1 | 1 | 480 | 20.8 | 5kW | 5kW | 2 | 24 | 1/3 | 708-1536 | 21-45 | 75ft. | Fig. A | 65 |
| KFUH4812-1-2S1-ECM | 12 | 41 | 1 | 480 | 25 | 8kW | 4kW | 3 | 24 | 1/3 | 708-1536 | 25-54 | 75ft. | Fig. A | 74 |
| KFUH4815-1-2S1-ECM | 15 | 51.2 | 1 | 480 | 31.3 | 10kW | 5kW | 3 | 24 | 1/3 | 708-1536 | 31-67 | 75ft. | Fig. A | 74 |
| KFUH4818-1-2S1-ECM | 17.3 | 58.9 | 1 | 480 | 36 | 11.5kW | 5.75kW | 3 | 24 | 1/3 | 708-1536 | 35-77 | 75ft. | Fig. A | 74 |
| KFUH4820-1-2S1-ECM | 20 | 68.3 | 1 | 480 | 41.7 | 15kW | 5kW | 4 | 24 | 1/2 | 1258-1771 | 36-50 | 90ft. | Fig. B | 76 |
| KFUH4825-1-2S1-ECM | 25 | 85.3 | 1 | 480 | 52.1 | 15kW | 10kW | 5 | 24 | 1/2 | 1258-1771 | 45-63 | 90ft. | Fig. B | 81 |
| KFUH4830-1-2S1-ECM | 30 | 102.4 | 1 | 480 | 62.5 | 20kW | 10kW | 6 | 24 | 3/4 | 1592-2142 | 44-60 | 110ft. | Fig. B | 85 |
| KFUH4835-1-2S1-ECM | 34.5 | 117.8 | 1 | 480 | 71.9 | 23kW | 11.5kW | 6 | 24 | 3/4 | 1592-2142 | 52-69 | 110ft. | Fig. B | 85 |

*Dual rated heaters will draw 13% less amps and 25% less wattage when operated at 208V.

**Not Available in 2-Stage.

Ordering Information- three phase

| MODEL | kilo WATTS | BTUH (000) | PHASE | VOLTS | AMPS | STAGE 1 | STAGE 2 | ELEMENTS | THERMOSTAT CONTROL VOLTAGE | MOTOR HP | CFM | TEMP. RISE RANGE | EFFECTIVE AIR THROW | SIZE | WT. (lbs.) |
|--------------------|------------|------------|-------|----------|------------|---------|---------|----------|----------------------------|----------|-----------|------------------|---------------------|--------|------------|
| KFUH2005-3-ECM | 5 | 17.1 | 3 | 208 | 13.9 | 5kW | **N/A | 1 | 24 | 1/3 | 708-1536 | 8-18 | 75ft. | Fig. A | 57 |
| KFUH2008-3-2S3-ECM | 8 | 27.3 | 3 | 208 | 20.8 | 4kW | 4kW | 2 | 24 | 1/3 | 708-1536 | 8-18 | 75ft. | Fig. A | 57 |
| KFUH2010-3-2S3-ECM | 10 | 34.1 | 3 | 208 | 27.7 | 5kW | 5kW | 2 | 24 | 1/3 | 708-1536 | 8-18 | 75ft. | Fig. A | 65 |
| KFUH2012-3-2S3-ECM | 11.5 | 39.2 | 3 | 208 | 32 | 7.5kW | 4kW | 3 | 24 | 1/3 | 708-1536 | 8-18 | 75ft. | Fig. A | 74 |
| KFUH2015-3-2S3-ECM | 15 | 51.2 | 3 | 208 | 41.6 | 10kW | 5kW | 3 | 24 | 1/3 | 708-1536 | 8-18 | 75ft. | Fig. A | 74 |
| KFUH2020-3-2S3-ECM | 20 | 68.3 | 3 | 208 | 55.5 | 15kW | 5kW | 4 | 24 | 1/2 | 1258-1771 | 36-50 | 90ft. | Fig. B | 76 |
| KFUH2025-3-2S3-ECM | 25 | 85.3 | 3 | 208 | 69.4 | 15kW | 10kW | 5 | 24 | 1/2 | 1258-1771 | 36-50 | 90ft. | Fig. B | 81 |
| KFUH2030-3-2S3-ECM | 30 | 102.4 | 3 | 208 | 83.3 | 20kW | 10kW | 6 | 24 | 3/4 | 1592-2141 | 44-60 | 110ft. | Fig. B | 85 |
| KFUH2040-3-2S3-ECM | 40 | 136.5 | 3 | 208 | 111 | 20kW | 20kW | 8 | 24 | 2 x 1/2 | 2516-3542 | 36-50 | 90ft. | Fig. C | 152 |
| KFUH2050-3-2S3-ECM | 50 | 170.7 | 3 | 208 | 138.8 | 25kW | 25kW | 10 | 24 | 2 x 1/2 | 2516-3542 | 36-50 | 90ft. | Fig. C | 162 |
| KFUH2060-3-2S3-ECM | 60 | 204.8 | 3 | 208 | 166.5 | 30kW | 30kW | 12 | 24 | 2 x 3/4 | 2516-3542 | 44-60 | 110ft. | Fig. C | 170 |
| KFUH2405-3-ECM | 5 | 17.1 | 3 | 240/208* | 12 / 10.4* | 5kW | **N/A | 1 | 24 | 1/3 | 1258-1771 | 36-50 | 90ft. | Fig. A | 57 |
| KFUH2410-3-2S3-ECM | 10 | 34.1 | 3 | 240/208* | 24 / 20.8* | 5kW | 5kW | 2 | 24 | 1/3 | 1258-1771 | 36-50 | 90ft. | Fig. A | 65 |
| KFUH2412-3-2S3-ECM | 12 | 41 | 3 | 240/208* | 28.9 / 25* | 6kW | 6kW | 3 | 24 | 1/3 | 1258-1771 | 36-50 | 90ft. | Fig. A | 74 |

*Dual rated heaters will draw 13% less amps and 25% less wattage when operated at 208V.

**Not Available in 2-Stage.

High Air Velocity Unit Heater KFUH ECO2S Series

Ordering Information- three phase

| MODEL | kilo WATTS | BTUH (000) | PHASE | VOLTS | AMPS | STAGE 1 | STAGE 2 | ELEMENTS | THERMOSTAT CONTROL VOLTAGE | MOTOR HP | CFM | TEMP. RISE RANGE | EFFECTIVE AIR THROW | SIZE | WT. (lbs.) |
|--------------------|------------|------------|-------|----------|----------------|---------|---------|----------|----------------------------|----------|-----------|------------------|---------------------|--------|------------|
| KFUH2415-3-2S3-ECM | 15 | 51.2 | 3 | 240/208* | 36.1 / 31.2* | 10kW | 5kW | 3 | 24 | 1/3 | 1258-1771 | 36-50 | 90ft. | Fig. A | 74 |
| KFUH2418-3-ECM | 17.3 | 58.9 | 3 | 240/208* | 41.6 / 36 | 17.25kW | **N/A | 3 | 24 | 1/3 | 1258-1771 | 36-50 | 90ft. | Fig. A | 74 |
| KFUH2420-3-2S3-ECM | 20 | 68.3 | 3 | 240/208* | 48.1 / 41.6* | 10kW | 10kW | 4 | 24 | 1/2 | 1258-1771 | 36-50 | 90ft. | Fig. B | 76 |
| KFUH2425-3-2S3-ECM | 25 | 85.3 | 3 | 240/208* | 60.1 / 52* | 15kW | 10kW | 5 | 24 | 1/2 | 1258-1771 | 36-50 | 90ft. | Fig. B | 81 |
| KFUH2430-3-2S3-ECM | 30 | 102.4 | 3 | 240/208* | 72.2 / 62.5* | 20kW | 10kW | 6 | 24 | 3/4 | 1592-2142 | 44-60 | 110ft. | Fig. B | 85 |
| KFUH2435-3-2S3-ECM | 34.5 | 117.8 | 3 | 240/208* | 83 / 71.8* | 17.25kW | 17.25kW | 6 | 24 | 3/4 | 1592-2142 | 44-60 | 110ft. | Fig. B | 85 |
| KFUH2440-3-2S3-ECM | 40 | 136.5 | 3 | 240/208* | 96.2 / 83.3* | 20kW | 20kW | 8 | 24 | 2 x 1/2 | 2516-3542 | 36-50 | 90ft. | Fig. C | 152 |
| KFUH2450-3-2S3-ECM | 50 | 170.7 | 3 | 240/208* | 102.3 / 104* | 25kW | 25kW | 10 | 24 | 2 x 1/2 | 2516-3542 | 36-50 | 90ft. | Fig. C | 162 |
| KFUH2460-3-2S3-ECM | 60 | 204.8 | 3 | 240/208* | 144.3 / 124.9* | 30kW | 30kW | 12 | 24 | 2 x 3/4 | 3184-4284 | 44-60 | 110ft. | Fig. C | 170 |
| KFUH2470-3-2S3-ECM | 70 | 239 | 3 | 240/208* | 168.4 / 145.7* | 34.5kW | 34.5kW | 12 | 24 | 2 x 3/4 | 3184-4284 | 44-60 | 110ft. | Fig. C | 170 |
| KFUH4805-3-ECM | 5 | 17.1 | 3 | 480 | 7.2 | 5kW | **N/A | 1 | 24 | 1/3 | 1258-1771 | 36-50 | 90ft. | Fig. A | 57 |
| KFUH4810-3-2S3-ECM | 10 | 34.1 | 3 | 480 | 12.0 | 5kW | 5kW | 2 | 24 | 1/3 | 1258-1771 | 36-50 | 90ft. | Fig. A | 65 |
| KFUH4812-3-ECM | 12 | 41 | 3 | 480 | 14.4 | 12kW | **N/A | 3 | 24 | 1/3 | 1258-1771 | 36-50 | 90ft. | Fig. A | 74 |
| KFUH4815-3-2S3-ECM | 14.4 | 51.2 | 3 | 480 | 17.3 | 10kW | 5kW | 3 | 24 | 1/3 | 1258-1771 | 36-50 | 90ft. | Fig. A | 74 |
| KFUH4818-3-ECM | 18 | 58.9 | 3 | 480 | 21.7 | 17.3kW | **N/A | 3 | 24 | 1/3 | 1258-1771 | 36-50 | 90ft. | Fig. A | 74 |
| KFUH4820-3-2S3-ECM | 20 | 68.3 | 3 | 480 | 24.1 | 10kW | 10kW | 4 | 24 | 1/2 | 1258-1771 | 36-50 | 90ft. | Fig. B | 76 |
| KFUH4825-3-2S3-ECM | 25 | 85.3 | 3 | 480 | 30.1 | 15kW | 10kW | 5 | 24 | 1/2 | 1258-1771 | 36-50 | 90ft. | Fig. B | 81 |
| KFUH4830-3-2S3-ECM | 30 | 102.4 | 3 | 480 | 36.1 | 20kW | 10kW | 6 | 24 | 3/4 | 1592-2142 | 44-60 | 110ft. | Fig. B | 85 |
| KFUH4835-3-2S3-ECM | 34.5 | 117.8 | 3 | 480 | 41.5 | 17.25kW | 17.25kW | 6 | 24 | 3/4 | 1592-2142 | 44-60 | 110ft. | Fig. B | 85 |
| KFUH4840-3-2S3-ECM | 40 | 136.5 | 3 | 480 | 48.1 | 20kW | 20kW | 8 | 24 | 2 x 1/2 | 2516-3542 | 36-50 | 90ft. | Fig. C | 152 |
| KFUH4850-3-2S3-ECM | 50 | 170.7 | 3 | 480 | 60.1 | 25kW | 25kW | 10 | 24 | 2 x 1/2 | 2516-3542 | 36-50 | 90ft. | Fig. C | 162 |
| KFUH4860-3-2S3-ECM | 60 | 204.8 | 3 | 480 | 72.2 | 30kW | 30kW | 12 | 24 | 2 x 3/4 | 3184-4284 | 44-60 | 110ft. | Fig. C | 170 |
| KFUH4870-3-2S3-ECM | 70 | 239 | 3 | 480 | 84.2 | 34.5kW | 34.5kW | 12 | 24 | 2 x 3/4 | 3184-4284 | 44-60 | 110ft. | Fig. C | 170 |

*Dual rated heaters will draw 13% less amps and 25% less wattage when operated at 208V.

**Not Available in 2-Stage.

Factory Installed Options

| ADD SUFFIX | DESCRIPTION | WEIGHT (lbs.) |
|------------|---|---------------|
| -T | Factory Installed 1-Stage Stat (SPST). Temperature range 40F to 100F (For 1-Stage Models Only) | N/A |
| -2TS | Factory Installed 2-Stage Stat (DPST). Temperature range 40F to 100F (For 2-Stage: -2S1 & -2S3 Models Only) | N/A |
| -SF | Factory Installed Summer Fan Switch | N/A |
| -DS32 | Factory Installed 32 Amp, 3-Pole Non-Fused Locking Disconnect Switch | N/A |
| -DS63 | Factory Installed 63 Amp, 3-Pole Non-Fused Locking Disconnect Switch | NA |
| -DS80 | Factory Installed 80 Amp, 3-Pole Non-Fused Locking Disconnect Switch | N/A |
| -DS100 | Factory Installed 100 Amp, 3-Pole Non-Fused Locking Disconnect Switch | N/A |
| -3/4 | Sub 3/4 HP Motor for 20kW & 25kW Models Only | N/A |

Accessories

| MODEL | UPC | DESCRIPTION | WEIGHT (lbs.) |
|---------------|-------|--|---------------|
| KFUH-DIFFUSER | 15741 | Standard KFUH Air Diffuser | 5.0 |
| KFUH-RD | 15743 | Radial Diffuser for Wide Pattern Heat Dispersion | 4.0 |
| KFUH-90D | 15728 | Right Angle Elbow (90°) Diffuser with Adjustable Louvers | 15.0 |
| KFUH-90RD | 15729 | Right Angle Elbow (90°) with Radial Diffuser | 14.0 |
| 1F85U-22PR | 19054 | 2-Stage, 24V 7 Day Programmable Thermostat 44F-95F (For use with 2-stage heaters) | 1.0 |
| 1F85U-22NP | 19044 | 2-Stage, 24V Non-Programmable Thermostat 44F-95F (For use with 2-stage heaters) | 1.0 |
| 1E30N-910 | 55379 | 1-Stage, 24V Thermostat Mercury Free-Vertical 45F-90F (For use with 1-stage heaters) | 1.0 |

High Air Velocity Unit Heater KFUH ECO2S Series

Air Flow Chart

(For 4 to 17.3kW Units with 1/3HP ECM Motor)

| MODEL | KW | TORQUE | CFM | RISE (F) |
|----------|------|----------|-------|----------|
| KFUH**04 | 4 | (2) 6.8 | 708 | 18 |
| | | 9.4 | 919 | 14 |
| | | 12.0 | 1,085 | 12 |
| | | 17.0 | 1,320 | 10 |
| | | 20.0 | 1,536 | 8 |
| KFUH**05 | 5 | (2) 6.8 | 708 | 22 |
| | | 9.4 | 919 | 17 |
| | | 12.0 | 1,085 | 15 |
| | | 17.0 | 1,320 | 12 |
| | | 20.0 | 1,536 | 10 |
| KFUH**08 | 8 | (1) 6.8 | 708 | 36 |
| | | (2) 9.4 | 919 | 27 |
| | | 12.0 | 1,085 | 23 |
| | | 17.0 | 1,320 | 19 |
| | | 20.0 | 1,536 | 16 |
| KFUH**10 | 10 | (1) 6.8 | 708 | 45 |
| | | (2) 9.4 | 919 | 34 |
| | | 12.0 | 1,085 | 29 |
| | | 17.0 | 1,320 | 24 |
| | | 20.0 | 1,536 | 21 |
| KFUH**12 | 12 | 6.8 | 708 | 54 |
| | | (1) 9.4 | 919 | 41 |
| | | (2) 12.0 | 1,085 | 35 |
| | | 17.0 | 1,320 | 29 |
| | | 20.0 | 1,536 | 25 |
| KFUH**15 | 15 | 6.8 | 708 | 67 |
| | | (1) 9.4 | 919 | 52 |
| | | (2) 12.0 | 1,085 | 44 |
| | | 17.0 | 1,320 | 36 |
| | | 20.0 | 1,536 | 31 |
| KFUH**18 | 17.3 | 6.8 | 708 | 77 |
| | | (1) 9.4 | 919 | 59 |
| | | 12.0 | 1,085 | 50 |
| | | (2) 17.0 | 1,320 | 41 |
| | | 20.0 | 1,536 | 35 |

Air Flow Chart

(For 20 to 50kW Units with 1/2HP ECM Motor)

| MODEL | KW | TORQUE | CFM | RISE (F) |
|----------|----|----------|-------|----------|
| KFUH**20 | 20 | (1) 15.5 | 1,258 | 50 |
| | | (2) 19.0 | 1,466 | 43 |
| | | 22.5 | 1,575 | 40 |
| | | 26.0 | 1,690 | 37 |
| | | 30.0 | 1,771 | 36 |
| KFUH**25 | 25 | 15.5 | 1,258 | 63 |
| | | 19.0 | 1,466 | 54 |
| | | (1) 22.5 | 1,575 | 50 |
| | | (2) 26.0 | 1,690 | 47 |
| | | 30.0 | 1,771 | 45 |
| KFUH**40 | 40 | (1) 15.5 | 2,516 | 50 |
| | | (2) 19.0 | 2,932 | 43 |
| | | 22.5 | 3,150 | 40 |
| | | 26.0 | 3,380 | 37 |
| | | 30.0 | 3,542 | 36 |
| KFUH**50 | 50 | 15.5 | 2,516 | 63 |
| | | 19.0 | 2,932 | 54 |
| | | (1) 22.5 | 3,150 | 50 |
| | | (2) 26.0 | 3,380 | 47 |
| | | 30.0 | 3,542 | 45 |

Air Flow Chart

(For 20 to 70kW Units with 3/4HP ECM Motor)

| MODEL | KW | TORQUE | CFM | RISE (F) |
|----------------------------|----|----------|-------|----------|
| KFUH**20 (Optional) 3/4 HP | 20 | (1) 26.0 | 1,592 | 40 |
| | | 30.0 | 1,789 | 35 |
| | | (2) 35.0 | 1,814 | 35 |
| | | 40.5 | 2,080 | 30 |
| | | 45.0 | 2,142 | 30 |
| KFUH**25 (Optional) 3/4 HP | 25 | (1) 26.0 | 1,592 | 50 |
| | | 30.0 | 1,789 | 44 |
| | | (2) 35.0 | 1,814 | 44 |
| | | 40.5 | 2,080 | 38 |
| | | 45.0 | 2,142 | 37 |
| KFUH**30 | 30 | (1) 26.0 | 1,592 | 60 |
| | | 30.0 | 1,789 | 53 |
| | | 35.0 | 1,814 | 52 |
| | | (2) 40.5 | 2,080 | 46 |
| | | 45.0 | 2,142 | 44 |
| KFUH**35 | 35 | 26.0 | 1,592 | 69 |
| | | (1) 30.0 | 1,789 | 62 |
| | | 35.0 | 1,814 | 61 |
| | | (2) 40.5 | 2,080 | 53 |
| | | 45.0 | 2,142 | 52 |
| KFUH**60 | 60 | (1) 26.0 | 3,184 | 60 |
| | | 30.0 | 3,578 | 53 |
| | | 35.0 | 3,628 | 52 |
| | | (2) 40.5 | 4,160 | 46 |
| | | 45.0 | 4,284 | 44 |
| KFUH**70 | 70 | 26.0 | 3,184 | 69 |
| | | (1) 30.0 | 3,578 | 62 |
| | | 35.0 | 3,628 | 61 |
| | | (2) 40.5 | 4,160 | 53 |
| | | 45.0 | 4,284 | 52 |



(A) ** Represents the voltage, 20=208V, 24=240V, 48=480V.
Voltage of the KF/KFS unit does not affect the data in this table.

(B) NR= Not Recommended, Temperature Rise is above maximum design parameter.

(C) The highlighted cells are the factory default torque setting for each model.
The ECM motor has 5 field adjustable torque settings, allowing for a wide range of design choices.

(D) (1)= Stage 1 Torque Settings (2) = Stage 2 Torque Settings
/ (2) = Default for Single Stage KFUH

(E) Blower: 10" diameter, 8" wide

Engineering Specifications

Contractor shall supply and install KFUH ECO2S Series unit heaters manufactured by King Electrical Mfg. Company. Heaters shall be of the wattage and voltage as indicated on the plans.

Transformer: Each unit is equipped with a heavy duty low voltage (24 Volt) transformer for the thermostat control circuit.

2-Stage Heating: 2-stage energy-saving heat output (-2S Models Only) when paired with a 2-stage 24V thermostat (purchased separately).

Heating Elements: Quick heating, long life Ni-Chrome elements are sized to provide proper watt density for maximum heat dissipation by fan-forced air convection currents.

Terminal Block: For single strike field wiring.

Low Voltage Terminal Block: For 24 Volt control.

Air Filter: Convenient access for replacement of standard 16" x 20" x 1" filter.

Motor: Energy Saving, Long life, thermally protected, permanently lubricated, direct drive ECM motor—no belts to adjust or slip.

This low noise, 5 speed motor is designed for use with air conditioning capability as well as heating. Very quiet operating. 60 second fan delay.

Overcurrent Protection: 208 & 240 volt KFUH ECO2S models have 60 amp circuit breakers with single strike terminal block. Units over 48 amps have 60 amp fusing.

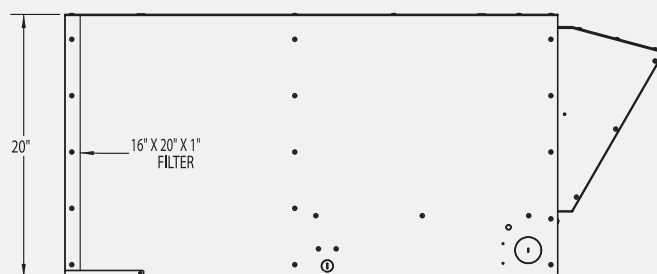
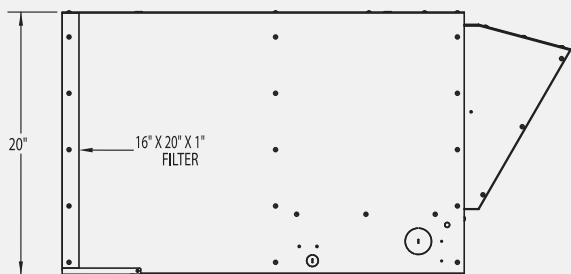
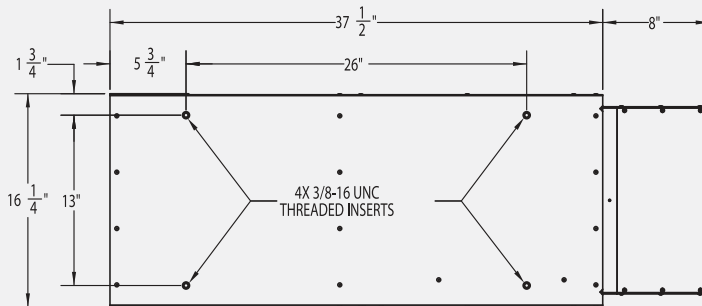
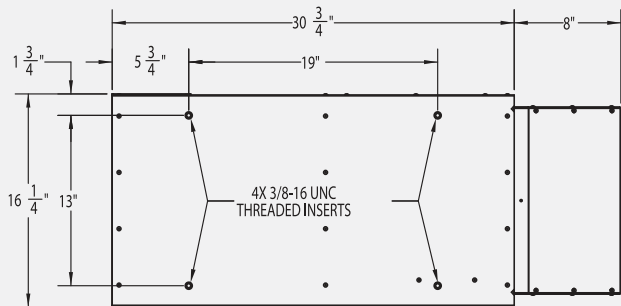
Limit Control: Integral automatic high temperature limit control in each heating element bank prevents the delivery of air at unsafe temperatures. 20-35 kW use a manual reset limit control to completely shut the unit heater off should overtemperature occur.

Fan Relay: Heavy duty fan relay standard with summer fan operation.

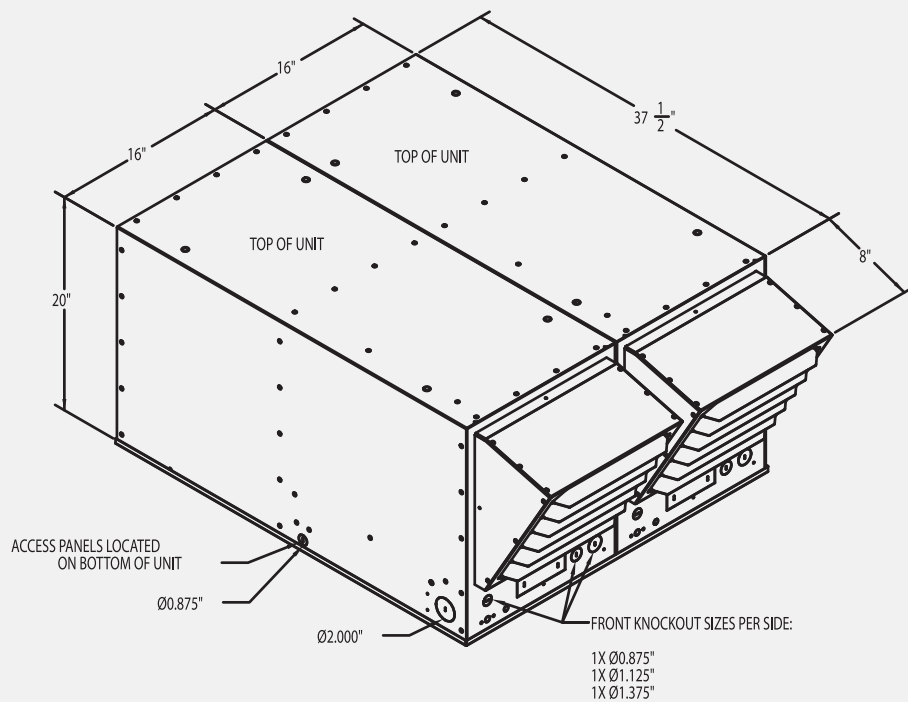
Approvals: cULus Certified for US & Canada

High Air Velocity Unit Heater KFUH EC02S Series

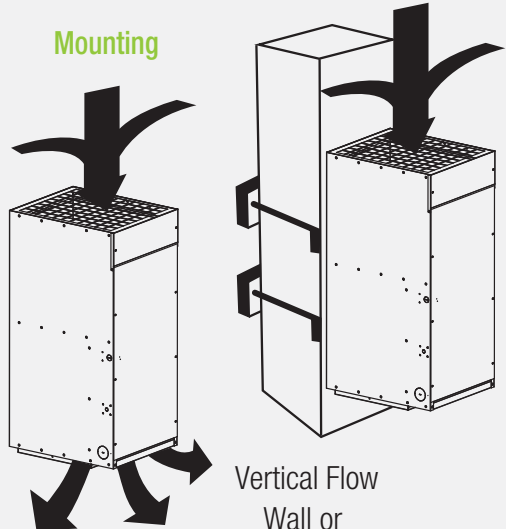
Dimensional Data



Double Case

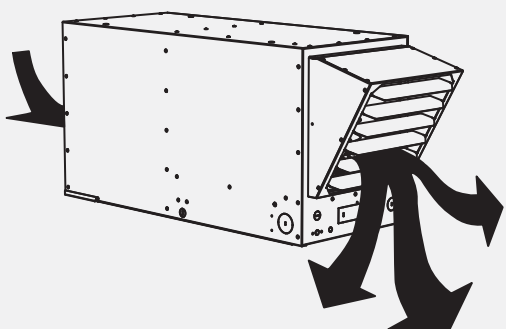


Mounting



Vertical Flow
Wall or
Post Mounted

Horizontal Flow
Ceiling Mounted



Diffusers

KFUH-90RD



KFUH-90D

