



SUBMITTAL SHEET

Job Name: _____

Submitted By: _____

Date: _____

Location: _____

Architect: _____

Engineer: _____

Approved By: _____

Date: _____

Contractor: _____

Submitted By: _____

King Contact: _____

Quotes@king-electric.com

Date: _____

Tag	Qty	Item Number	Watts	Volts	PH	Amps	Weight

Accessories

Tag	Qty	Item Number

Large Ceiling Heater LPWC Series



Model Code:

LPW	12	27	C
A	B	C	D
A: Series			
B: 12 - 120V 24 - 240V			
20 - 208V 27 - 277V			
C: Watts (1250 to 4500)			
D: C - Ceiling			
G - Ground			



- Pic-A-Watt® element
- Long life unit bearing motor
- Heat/Fan/Off tamperproof disconnect switch
- 5-Bladed Aluminum fan
- Patented Smart Limit Protection®
- Multiple wattages
- Ceiling mount
- Standard color: white (almond optional)
- 20 gauge powder-coated grill
- 120, 208, 240, or 277 volts
- 5-year limited warranty



With U.S. & Global Materials



Large Pic-A-Watt Ceiling Heater

Designed for commercial and industrial applications, the LPWC offers a high-capacity, heavy-duty ceiling heater where wall space is not available. King's exclusive dual Pic-A-Watt steel fin elements allow customers to select from a range of wattage options, tailoring the heater to an area's specific heating requirements. Available wattages range between 1250 to 4500 watts. Now comes standard w/ Heat/Fan/Off tamperproof disconnect switch. It has a fan delay to help dissipate heat from the steel plate fin elements thereby prolonging heater life and increasing energy efficiency.

"Complete" Stock Models For other color grill options use "Order A'la Carte" chart below to build your own complete heater.

BASE MODEL	UPC	VOLTS	WATTS	AMPS	SHIP WEIGHT lbs
LPW1227C-W	18188	120	1250•1500•1750•2000•2750	10.4 - 22.9	19.0
LPW2040C-W	22232	208	2250•2750•3000•3250•3500•3750•4000	10.8 - 19.2	19.0
LPW2040C-G	22235	208	2250•2750•3000•3250•3500•3750•4000	10.8 - 21.6	19.0
LPW2445C-W	18164	240/208*	2250•2750•3000•3250•3500•3750•4000•4500	9.4 - 18.8	19.0
LPW2740C-W	18192	277	2000•3000•4000	7.2 - 14.4	19.0

*Dual rated heaters will draw 13% less amps and 25% less wattage when operated at 208V.

NOTE: Not all configurations listed above are stock items (A+ or A stock code). Refer to price book for the Stock code.

For non-stock items refer to the table below to order heater parts separately.

Order A'la Carte **To build your own "Complete" with designer grill options (not noted above) select HRC model of proper voltage and LPWG grill model of proper color.

STEP 1: Order Heatbox Interior and Recessed Wall Can

ADD SUFFIX	UPC	DESCRIPTION	SHIP WEIGHT lbs
LPW1227C-HRC	32635	LPW CEILING, 120V 2750W, Heatbox Interior & Recessed Wall Can	11.5
LPW2040C-HRC	14304	LPW CEILING, 208V 4000W, Heatbox Interior & Recessed Wall Can	11.5
LPW2445C-HRC	32637	LPW CEILING, 240V 4500W, Heatbox Interior & Recessed Wall Can	11.5
LPW2740C-HRC	32644	LPW CEILING, 277V 4000W, Heatbox Interior & Recessed Wall Can	11.5

STEP 2: Order Grill

MODEL	UPC	DESCRIPTION	SHIP WEIGHT lbs
LPWCG-W	32624	LPWC, Grill, White Color	4.5
LPWCG-A	32627	LPWC, Grill, Almondine Color	4.5

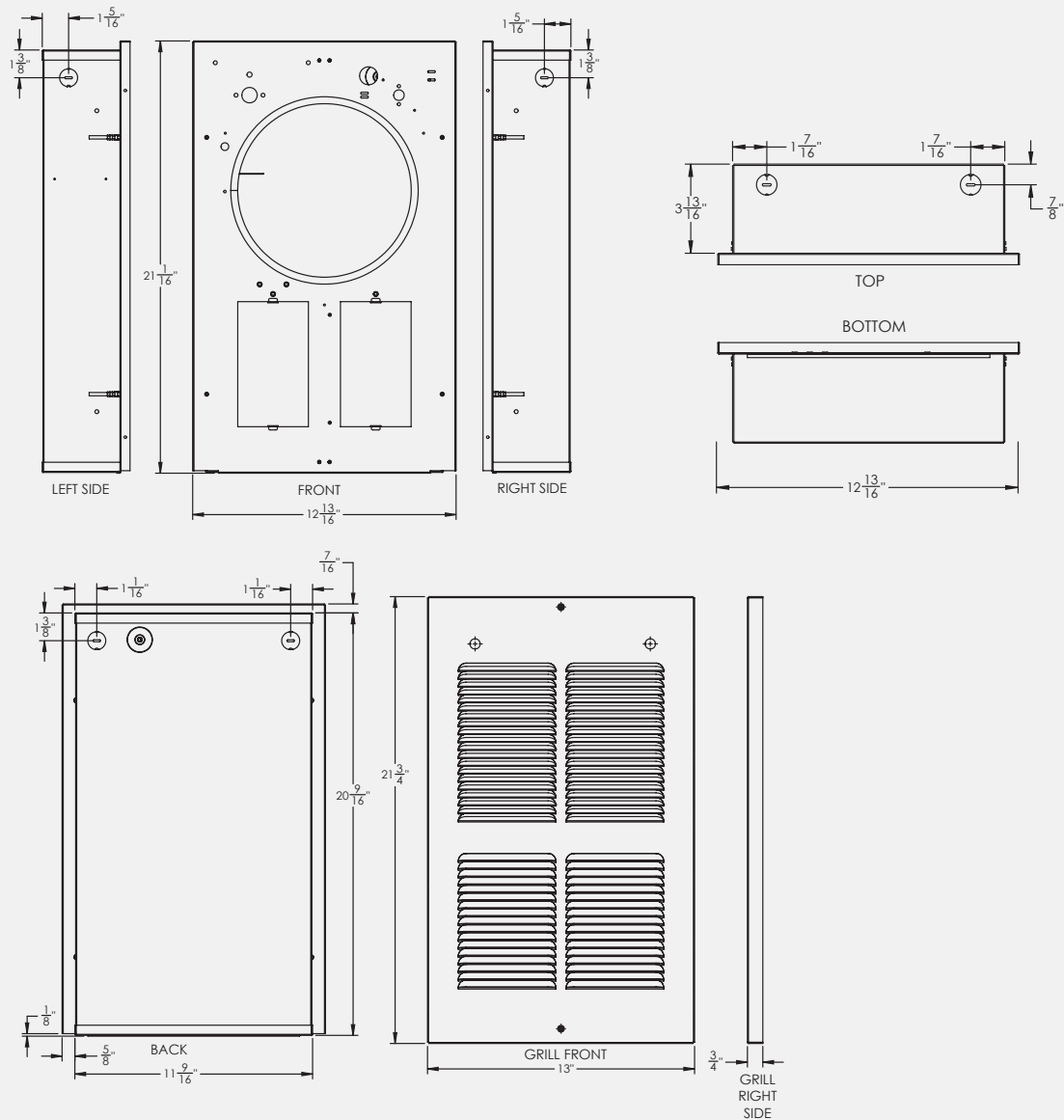
NOTE: This is the quickest option when the factory installed heaters options are not in stock.

Accessories

MODEL	UPC	DESCRIPTION	SHIP WEIGHT lbs
LPWCT-1-TP	19372	Field Installed SP Thermostat Kit -Tamperproof	0.3
LPWC-G-W	18277	T-BAR GRID adapter 2X2 FOR LPWC	6.0
UWSA-C	12598	Ceiling Surface Can	7.5

Large Ceiling Heater LPWC Series

Dimensional Data



Engineering Specifications

Contractor shall supply and install LPWC Series ceiling-mounted forced-air electric heaters manufactured by King Electrical Mfg. Co. of the wattage and voltage as indicated on the plans.

Motor: Permanently lubricated, unit bearing motor. 20cc of oil. Enclosed motor for long-lasting, trouble-free operation. Thermally protected. 1300 RPM.

Fan: High efficiency, dynamically balanced, 5-bladed aluminum impeller fan. 185 CFM.

Elements: 3 steel sheathed heating tubes in a furnace-brazed, plate-finned, block design containing coiled Ni-Chrome wire embedded in a Magnesium Oxide insulator. Assembly provides up to 7 possible wattage configurations available for field installation selection. The use of external resistors, diodes, or other weak links to obtain multiple wattages will not be accepted.

Heat/Fan/Off Tamperproof Disconnect Switch: The DPST off switch provides a "positive off" that disconnects all ungrounded conductors. 3 position switch provides heating and summer fan-only operation.

Thermal Overload: Heaters shall be equipped with King's patented thermal overload Smart Limit Protection, which disconnects elements and motor in the event normal operating temperatures are exceeded. If thermal overload shall remain open until manually reset by turning the heater off for fifteen minutes.

Fan Delay Switch: Fan continues to operate after thermostat shuts off to remove residual heat left in element.

Wall-box: 20 gauge electro-galvanized steel. Factory installed ground wire. Zero clearance to insulation. Optional surface box.

Grill: 20 gauge steel finished in a gloss white powder-coated paint.

Approvals: cULus (E41422)