



# SUBMITTAL SHEET

Job Name: \_\_\_\_\_

Submitted By: \_\_\_\_\_

Date: \_\_\_\_\_

Location: \_\_\_\_\_

Architect: \_\_\_\_\_

Engineer: \_\_\_\_\_

Approved By: \_\_\_\_\_

Date: \_\_\_\_\_

Contractor: \_\_\_\_\_

Submitted By: \_\_\_\_\_

King Contact: \_\_\_\_\_

[Quotes@king-electric.com](mailto:Quotes@king-electric.com)

Date: \_\_\_\_\_

Tag	Qty	Item Number	Watts	Volts	PH	Amps	Weight

## Accessories

Tag	Qty	Item Number

# Architectural Convection Cabinet Heater KLA Series



### Model Code:

KLA	20	15	-3	-690
A	B	C	D	E

- A: Series
- B: Volts (12=120, 20=208, 24=240, 27=270)
- C: Watts (15=1500)
- D: Phase (1 or 3)
- E: Length in mm (-690=690mm)

- 3 steel tubular heating elements with aluminum fins
- Front fresh air inlet; top warm air outlet or front (-FR)
- Standard Watt density of 1000W/ft. (3280W/m)
- Low Watt density of 750W/ft. (2460W/m)
- Linear high-limit temperature control with automatic reset
- Standard color: bright white (optional almond color available)
- 20 Gauge Steel Cabinet
- Available in 120, 208, 240, 277 or 600 Volts, 1 Or 3 phase
- 3-year warranty against defects



## The KLA Series Cabinet Heater

Features a maximum power rating of 6000W, the KLA unit is designed for large commercial spaces. This natural convection unit with its architectural design is perfect for areas requiring lots of heat without fan noise. Several options are also available for wall-to-wall installation. In addition, units with front warm air outlet (option -FR) can be completely recessed. Perfect for hospitals or daycares. King highly recommends use of a wall thermostat for greater comfort. **NOT FOR RESIDENTIAL USE.**

### Ordering Information - Low Density Models (750W/ft)

MODEL	UPC	VOLTS	WATTS	PHASE	BTUH(000)	LENGTH	WT. (LBS.)
KLA2020-1	31108	208	2000	1	6.8	27 3/16	37
KLA2030-1	31110	208	3000	1	10.2	37 3/16	47
KLA2040-1	31112	208	4000	1	13.6	47 3/16	57
KLA2050-1	31114	208	5000	1	17	57 3/16	67
KLA2060-1	31116	208	6000	1	20.4	65 3/16	79
KLA2020-3	31118	208	2000	3	6.8	27 3/16	37
KLA2030-3	31120	208	3000	3	10.2	37 3/16	47
KLA2040-3	31122	208	4000	3	13.6	47 3/16	57
KLA2050-3	31124	208	5000	3	17	57 3/16	67
KLA2060-3	31126	208	6000	3	20.4	65 3/16	79
KLA2420-1	31128	240/208*	2000/1500W	1	6.8/5.1	27 3/16	37
KLA2430-1	31130	240/208*	3000/2250W	1	10.2/7.7	37 3/16	47
KLA2440-1	31132	240/208*	4000/3000W	1	13.6/10.2	47 3/16	57
KLA2450-1	31134	240/208*	5000/3750W	1	17/12.8	57 3/16	67
KLA2460-1	31136	240/208*	6000/4500W	1	20.4/15.4	65 3/16	79
KLA2720-1	31138	277	2000	1	6.8	27 3/16	37
KLA2730-1	31140	277	3000	1	10.2	37 3/16	47
KLA2740-1	31142	277	4000	1	13.6	47 3/16	57
KLA2750-1	31144	277	5000	1	17	57 3/16	67
KLA2760-1	31146	277	6000	1	20.4	65 3/16	79

\*Dual rated heaters will draw 13% less amps and 25% less wattage when operated at 208V.

### Ordering Information - Low Density Models (750W/ft)

MODEL	UPC	VOLTS	WATTS	PHASE	BTUH(000)	LENGTH	WT. (LBS.)
KLA2015-1-690	31148	208	1500	1	5.1	27 3/16	37
KLA2022-1-944	31150	208	2250	1	7.7	37 3/16	47
KLA2030-1-1198	31152	208	3000	1	10.2	47 3/16	57
KLA2045-1-1655	31154	208	4500	1	15.4	65 3/16	79
KLA2015-3-690	31156	208	1500	3	5.1	27 3/16	37
KLA2022-3-944	31158	208	2250	3	7.7	37 3/16	47
KLA2030-3-1198	31160	208	3000	3	10.2	47 3/16	57
KLA2045-3-1655	31162	208	4500	3	15.4	65 3/16	79
KLA2415-1-690	31164	240	1500	1	5.1	27 3/16	37
KLA2422-1-944	31166	240	2250	1	7.7	37 3/16	47

\*Dual rated heaters will draw 13% less amps and 25% less wattage when operated at 208V.

# Architectural Convection Cabinet Heater KLA Series

## Ordering Information - Low Density Models (750W/ft)

MODEL	UPC	VOLTS	WATTS	PHASE	BTUH(000)	LENGTH	WT. (LBS.)
KLA2430-1-1198	31168	240	3000	1	10.2	47 3/16	57
KLA2445-1-1655	31170	240	4500	1	15.4	65 3/16	79
KLA2715-1-690	31172	277	1500	1	5.1	27 3/16	37
KLA2722-1-944	31174	277	2250	1	7.7	37 3/16	47
KLA2730-1-1198	31176	277	3000	1	10.2	47 3/16	57
KLA2745-1-1655	31178	277	4500	1	15.4	65 3/16	79

\*Dual rated heaters will draw 13% less amps and 25% less wattage when operated at 208V.

## Options

ADD SUFFIX	DESCRIPTION
-BW	Bright White
-A	Almond Color
-AE	Metallic Silver
-BZ	Bronze
-CM	Metallic Charcoal
-AL	Aluminum
-NL	Semi-Gloss Black
-FR	Front outlet models may be recessed
-BD	Clean back

## Control Options

MODEL	DESCRIPTION
KLA-T-AV	Single-pole tamperproof thermostat 30A, 250V max. - 15A, 600V max.
KLA-T2-AV	Double-pole tamperproof thermostat 30A, 250V max. - 15A, 600V max.
Product no-CTT	Single-pole relay, coil (240V), 25A, 240V - 12.5A, 600V
Product no-CTT2	Double-pole relay, coil (240V) 25A, 240V - 12.5A, 600V (Factory Installed Only)
KLA-R	Single-pole relay, coil (24V) 22A, 208V, 240V - 22A, 208V
KLA-R2	Double-pole relay, coil (24V) 25A, 240V - 12.5A, 600V
KLA-RT-208	Single-pole relay, coil (24V) Transformer (208V / 24V) - 4500W, 208V / 22A
KLA-RT-240	Single-pole relay, coil (24V) Transformer (240V / 24V) - 5200W, 240V / 22A
KLA-RT-277	Single-pole relay, coil (24V) Transformer (277V / 24A) - 5200W, 277V / 19A
Product no-TRF24	Transformer, 24V - 50VA
Product no-TRF24	Transformer, 240V - 50VA
Product no-PM	Factory installed pneumatic relay, 20A / 600V max.
KLA-CTR	Control box (width: 12")
Product no-DIS40	Factory installed disconnect switch 600V, three-pole, 40A

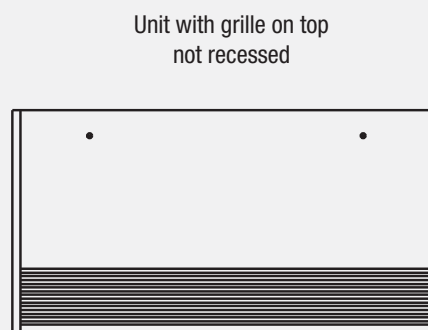
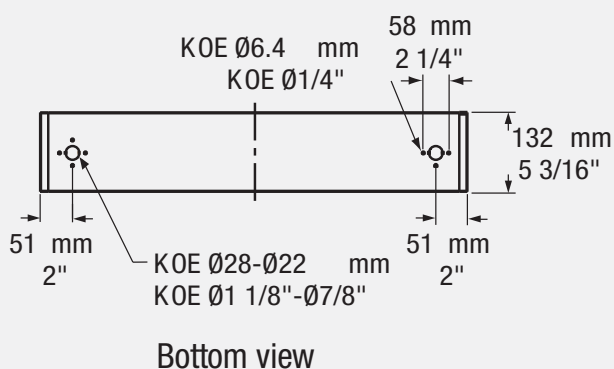
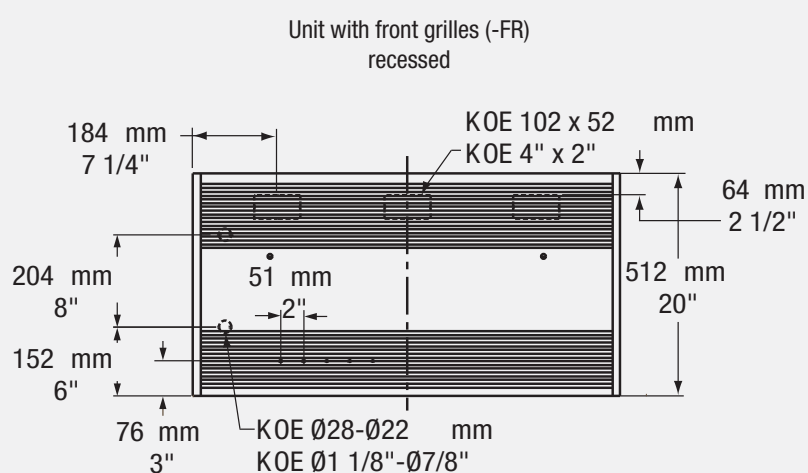
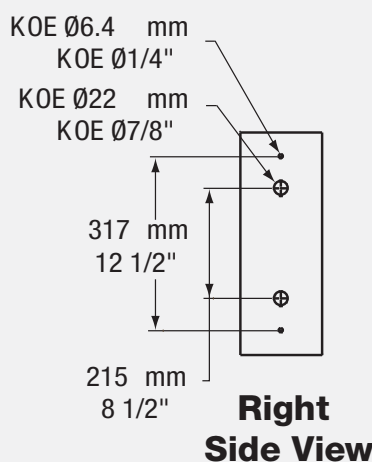
## Accessories

MODEL	DESCRIPTION	DIMENSIONS (in)
KLA-CI	Corner (interior and exterior)	
KLA-PEC	Pedestal kit (2)	3 (height)
KLA-SO-27	Sub-base	27 3/16
KLA-SO-37	Sub-base	37 3/16
KLA-SO-47	Sub-base	47 3/16
KLA-SO-57	Sub-base	57 3/16
KLA-SO-65	Sub-base	65 3/16
KLA-CR-27	Recess trim kit	27 3/16
KLA-CR-37	Recess trim kit	37 3/16
KLA-CR-47	Recess trim kit	47 3/16
KLA-CR-57	Recess trim kit	57 3/16
KLA-CR-65	Recess trim kit	65 3/16
KLA-SV-27	Empty cabinet	27 3/16
KLA-SV-37	Empty cabinet	37 3/16
KLA-SV-47	Empty cabinet	47 3/16
KLA-SV-57	Empty cabinet	57 3/16
KLA-SV-65	Empty cabinet	65 3/16
Product no-BD	Factory installed clean back	
Product no-FR	Factory installed front warm air outlet	

\*\*\* Filler sections can be cut on workplace. Includes ends and wall supports.

# Architectural Convection Cabinet Heater KLA Series

## Dimensional Data



## Engineering Specifications

*Contractor shall supply and install KLA Series electric heaters of the wattage and voltage as indicated on the plans.*

**Color:** Standard: white, almond. Optional: metallic silver, bronze, metallic charcoal, aluminum, semi-gloss black. Custom colors available upon request.

**Finish:** Standard: epoxy/polyester powder paint.

**Voltage:** 208V, 240/208V, 277V, 347V, 600V, 1 or 3-phase.

**Construction:** 20-gauge steel cabinet. 16-gauge steel front cover. Extruded aluminum bar grilles prevent insertion of foreign objects. Front fresh air inlet; top warm air outlet or front (-FR). Clean back available (-BD). Linear high-limit temperature control with automatic reset.

**Heating element:** Three stainless steel tubular heating elements with aluminum fins. Floating heating elements on high-temperature bushings, eliminating expansion noises.

**Watt density:** Standard watt density. Low watt density.

**Control:** Built-in tamperproof thermostat available. Mechanical, electronic or pneumatic relays available. Note: Single-pole thermostat is for 1-phase model only. King highly recommends to use an electronic wall thermostat for greater comfort.

**Installation:** Not for residential use in the United States. Wall or floor mounted installation. Front outlet (-FR) models may be recessed. Mounting holes spaced on 2 in. (51 mm) intervals for ease of installation. Variety of accessories available for wall-to-wall installation. Pedestal kit or sub-base available.

**Warranty:** 3-year warranty against defects.

**Application:** Commercial building, hospital, daycare center.