

Architectural Convection Cabinet Heater KLI Series



Model Code:

KLI	20	15	-3	-690
A	B	C	D	E

- A: Series
- B: Volts (12=120, 20=208
24=240, 27=270)
- C: Watts (15=1500)
- D: Phase (1 or 3)
- E: Length in mm (-690=690mm)

- 3 steel tubular heating elements with aluminum fins
- Front fresh air inlet; top warm air outlet
- Standard Watt density of 1000W/ft. (3280W/m)
- Low Watt density of 750W/ft. (2460W/m)
- Linear high-limit temperature control with automatic reset
- Standard color: bright white (optional almond color available)
- 20 Gauge Steel Cabinet
- Available in 120, 208, 240, 277 or 600 Volts, 1 Or 3 phase
- 3-year warranty against defects



The KLI Series Cabinet Heater

The KLI series units offer all of the advantages of the KLA convector heater with the added characteristic of a sloped top which prevents objects from being placed on them. These natural convection heaters are well suited for applications requiring a power rating of 6000W without fan noise. Several options are also available for wall-to-wall installation. Perfect for hospitals or daycares.

NOT APPROVED FOR RESIDENTIAL USE.

Ordering Information - Standard Models (1000W/Ft)

MODEL	UPC	VOLTS	WATTS	PHASE	BTUH(000)	LENGTH	WT. (LBS.)
KLI2020-1	31180	208	2000	1	6.8	27 3/16	37
KLI2030-1	31182	208	3000	1	10.2	37 3/16	47
KLI2040-1	31184	208	4000	1	13.6	47 3/16	57
KLI2050-1	31186	208	5000	1	17	57 3/16	67
KLI2060-1	31188	208	6000	1	20.4	65 3/16	79
KLI2020-3	31190	208	2000	3	6.8	27 3/16	37
KLI2030-3	31192	208	3000	3	10.2	37 3/16	47
KLI2040-3	31194	208	4000	3	13.6	47 3/16	57
KLI2050-3	31196	208	5000	3	17	57 3/16	67
KLI2060-3	31198	208	6000	3	20.4	65 3/16	79
KLI2420-1	31200	240/208*	2000/1500W	1	6.8/5.1	27 3/16	37
KLI2430-1	31202	240/208*	3000/2250W	1	10.2/7.7	37 3/16	47
KLI2440-1	31204	240/208*	4000/3000W	1	13.6/10.2	47 3/16	57
KLI2450-1	31206	240/208*	5000/3750W	1	17/12.8	57 3/16	67
KLI2460-1	31208	240/208*	6000/4500W	1	20.4/15.4	65 3/16	79
KLI2720-1	31210	277	2000	1	6.8	27 3/16	37
KLI2730-1	31212	277	3000	1	10.2	37 3/16	47
KLI2740-1	31214	277	4000	1	13.6	47 3/16	57
KLI2750-1	31216	277	5000	1	17	57 3/16	67
KLI2760-1	31218	277	6000	1	20.4	65 3/16	79

*Dual rated heaters will draw 13% less amps and 25% less wattage when operated at 208V.

Ordering Information - Low Density Models (750W/ft)

MODEL	UPC	VOLTS	WATTS	PHASE	BTUH(000)	LENGTH	WT. (LBS.)
KLI2015-1-690	31220	208	1500	1	5.1	27 3/16	37
KLI2022-1-944	31222	208	2250	1	7.7	37 3/16	47
KLI2030-1-1198	31224	208	3000	1	10.2	47 3/16	57
KLI2045-1-1655	31226	208	4500	1	15.4	65 3/16	79
KLI2015-3-690	31228	208	1500	3	5.1	27 3/16	37
KLI2022-3-944	31230	208	2250	3	7.7	37 3/16	47
KLI2030-3-1198	31232	208	3000	3	10.2	47 3/16	57
KLI2045-3-1655	31234	208	4500	3	15.4	65 3/16	79
KLI2415-1-690	31236	240	1500	1	5.1	27 3/16	37
KLI2422-1-944	31238	240	2250	1	7.7	37 3/16	47

*Dual rated heaters will draw 13% less amps and 25% less wattage when operated at 208V.

Architectural Convection Cabinet Heater KLI Series

Ordering Information - Low Density Models (750W/ft)

MODEL	UPC	VOLTS	WATTS	PHASE	BTUH(000)	LENGTH	WT. (LBS.)
KLI2430-1-1198	31240	240	3000	1	10.2	47 3/16	57
KLI2445-1-1655	31242	240	4500	1	15.4	65 3/16	79
KLI2715-1-690	31244	277	1500	1	5.1	27 3/16	37
KLI2722-1-944	31246	277	2250	1	7.7	37 3/16	47
KLI2730-1-1198	31248	277	3000	1	10.2	47 3/16	57
KLI2745-1-1655	31250	277	4500	1	15.4	65 3/16	79

*Dual rated heaters will draw 13% less amps and 25% less wattage when operated at 208V.

Options

ADD SUFFIX	DESCRIPTION
-BW	Bright White
-A	Almond Color
-AE	Metallic Silver
-BZ	Bronze
-CM	Metallic Charcoal
-AL	Aluminum
-NL	Semi-Gloss Black
-FR	Front outlet models may be recessed
-BD	Clean back

Control Options

MODEL	DESCRIPTION
KLA-T-AV	Single-pole tamperproof thermostat 30A, 250V max. - 15A, 600V max.
KLA-T2-AV	Double-pole tamperproof thermostat 30A, 250V max. - 15A, 600V max.
Product no-CTT	Single-pole relay, coil (240V), 25A, 240V - 12.5A, 600V
Product no-CTT2	Double-pole relay, coil (240V) 25A, 240V - 12.5A, 600V (Factory Installed Only)
KLA-R	Single-pole relay, coil (24V) 22A, 208V, 240V - 22A, 208V
KLA-R2	Double-pole relay, coil (24V) 25A, 240V - 12.5A, 600V
KLA-RT-208	Single-pole relay, coil (24V) Transformer (208V / 24V) - 4500W, 208V / 22A
KLA-RT-240	Single-pole relay, coil (24V) Transformer (240V / 24V) - 5200W, 240V / 22A
KLA-RT-277	Single-pole relay, coil (24V) Transformer (277V / 24A) - 5200W, 277V / 19A
Product no-TRF24	Transformer, 24V - 50VA
Product no-TRF24	Transformer, 240V - 50VA
Product no-PM	Factory installed pneumatic relay, 20A / 600V max.
KLA-CTR	Control box (width: 12")
Product no-DIS40	Factory installed disconnect switch 600V, three-pole, 40A

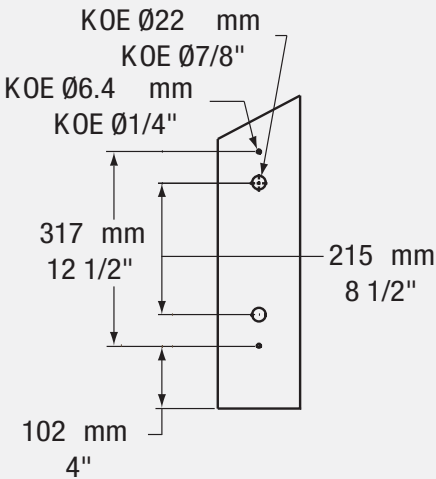
Accessories

MODEL	DESCRIPTION	DIMENSIONS (in)
KLA-CI	Corner (interior and exterior)	
KLA-PEC	Pedestal kit (2)	3 (height)
KLA-SO-27	Sub-base	27 3/16
KLA-SO-37	Sub-base	37 3/16
KLA-SO-47	Sub-base	47 3/16
KLA-SO-57	Sub-base	57 3/16
KLA-SO-65	Sub-base	65 3/16
KLA-CR-27	Recess trim kit	27 3/16
KLA-CR-37	Recess trim kit	37 3/16
KLA-CR-47	Recess trim kit	47 3/16
KLA-CR-57	Recess trim kit	57 3/16
KLA-CR-65	Recess trim kit	65 3/16
KLA-SV-27	Empty cabinet	27 3/16
KLA-SV-37	Empty cabinet	37 3/16
KLA-SV-47	Empty cabinet	47 3/16
KLA-SV-57	Empty cabinet	57 3/16
KLA-SV-65	Empty cabinet	65 3/16
Product no-BD	Factory installed clean back	

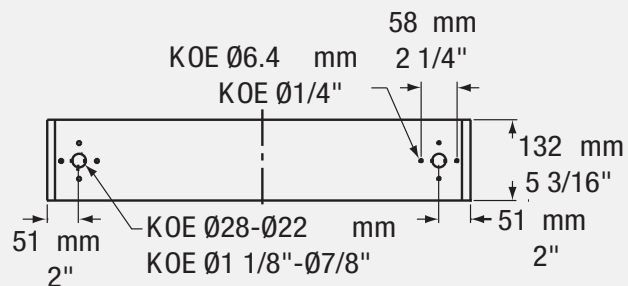
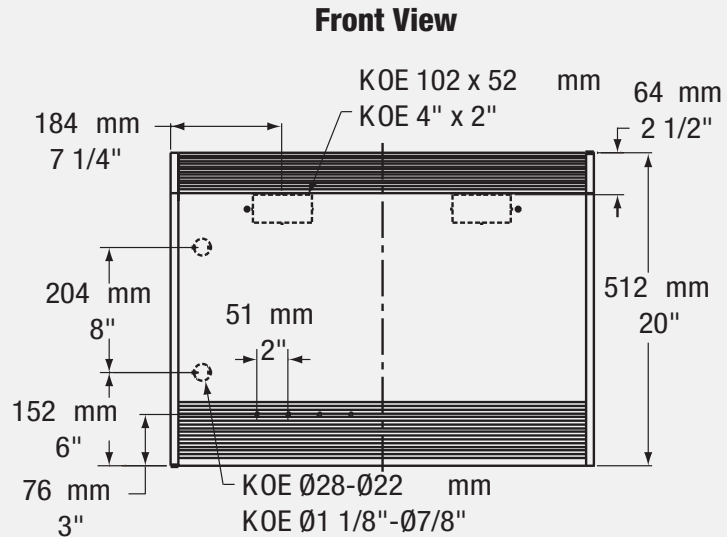
*** Filler sections can be cut on workplace. Includes ends and wall supports.

Architectural Convection Cabinet Heater KLI Series

Dimensional Data



Right View



Bottom View

Engineering Specifications

Contractor shall supply and install KLI Series electric heaters of the wattage and voltage as indicated on the plans.

Color: Standard: white, almond. Optional: metallic silver, bronze, metallic charcoal, aluminum, semi-gloss black. Custom colors available upon request.

Finish: Standard: epoxy/polyester powder paint.

Voltage: 208V, 240/208V, 277V, 347V, 600V, 1 or 3-phase.

Construction: 20-gauge steel cabinet. 16-gauge steel front cover. Extruded aluminum bar grilles prevent insertion of foreign objects. Front fresh air inlet; top warm air outlet. Clean back available (-BD). Linear high-limit temperature control with automatic reset.

Heating element: Three stainless steel tubular heating elements with aluminum fins. Floating elements on high-temperature nylon bushings eliminating expansion noises.

Watt density: Standard watt density. Low watt density.

Control: Built-in tamperproof thermostat available. Mechanical, electronic or pneumatic relays available. Note: Single-pole thermostat is for 1-phase model only. King highly recommends to use an electronic wall thermostat for greater comfort.

Installation: Not for residential use in the United States. Wall or floor mounted installation. Mounting holes spaced on 2 in. (51 mm) intervals for ease of installation. Variety of accessories available for wall-to-wall installation. Pedestal kit or sub-base available.

Warranty: 3-year warranty against defects.

Application: Commercial building, hospital, daycare center.