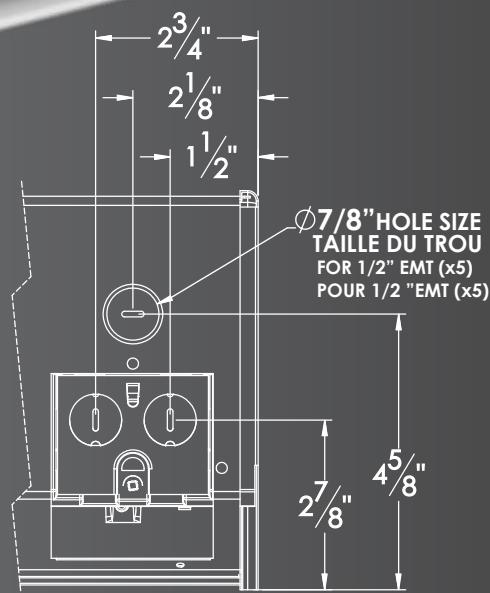
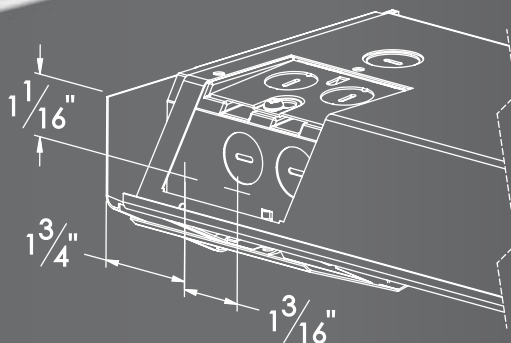
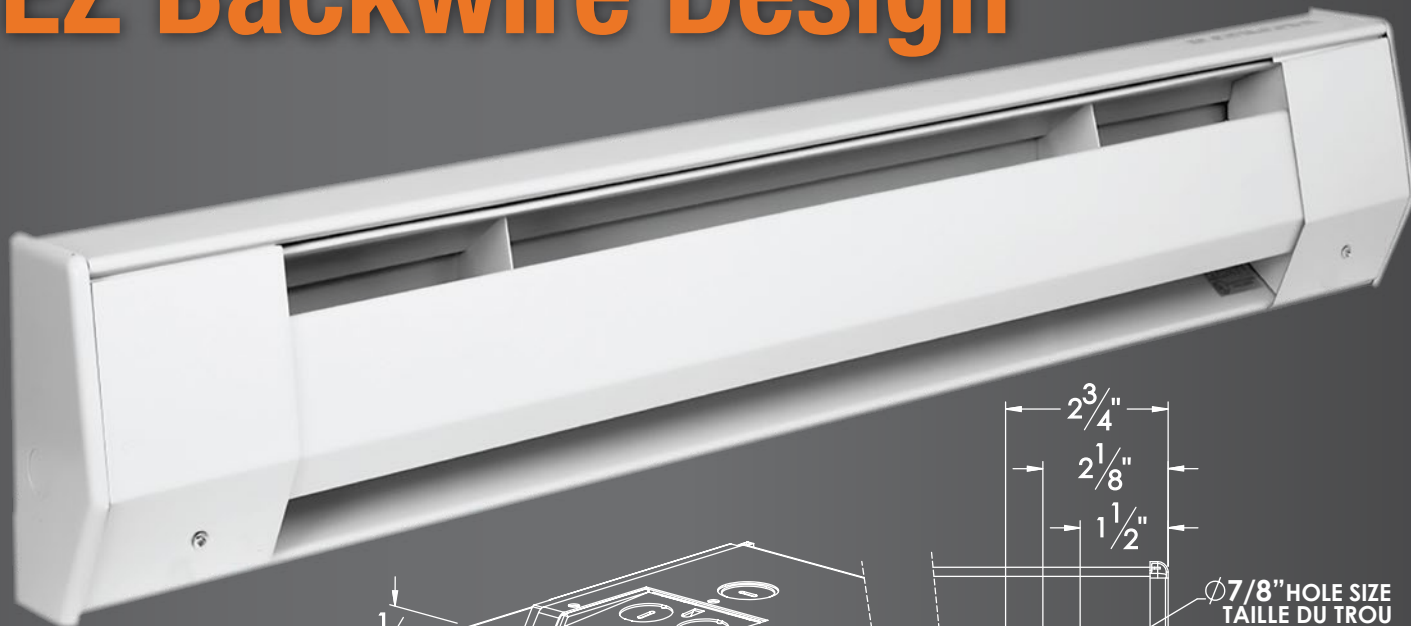




Smart Heating Solutions



NEW! Improved EZ Backwire Design



NEW! EZ-Connect a Quicker Installing Back-wire with integral Strain Relief Design

With the innovation of the all new EZ-Connect™ Quicker Installing back-wire design, contractors all agree; installation has never been faster! This new design allows the convenience of wiring the heater prior to mounting onto the wall. Simply make the electrical connection, secure the back-wire cover plate with the integral strain relief onto the back of the heater and then mount the heater onto the wall. It's that easy! No need to remove the front cover during installation. This cuts installation time in half.

V-Effect™ Airflow Design since 1958!

For the last 60 years, King baseboards have featured V-Effect™ Airflow Design, which increases airflow draw and adds incredible impact resistance to the front cover. The asymmetrical V-shaped front cover acts in the same way a wing creates lift, to draw the hot air out of the heater. This efficient use of natural aero-dynamics increases the air thrust from the heater, more efficiently warming the room. In addition, the V-shape adds rugged cover strength and limits furniture from a 100 % blockage of the heater.

Now That's Smart!



Printed in USA

Ordering Information Standard models Replace suffix BW with A for optional almond color.

	MODEL	VOLTS	WATTS	AMPS	LENGTH	SHIP WEIGHT lbs
120V	2K1205BW-BK	120	500	4.2	27"	6.5
	3K1207BW-BK	120	750	6.3	3 ft.	8
	4K1210BW-BK	120	1000	8.3	4 ft.	10.5
	5K1212BW-BK	120	1250	10.4	5 ft.	13
	6K1215BW-BK	120	1500	12.5	6 ft.	15
	2K2005BW-BK	208	500	2.4	27"	6.5
208V	3K2007BW-BK	208	750	3.6	3 ft.	8
	4K2010BW-BK	208	1000	4.8	4 ft.	10.5
	5K2012BW-BK	208	1250	6.0	5 ft.	13
	6K2015BW-BK	208	1500	7.2	6 ft.	15
	8K2020BW-BK	208	2000	9.6	8 ft.	19
	8K2024BW-BK	208	2400	11.5	8 ft.	19
240V	2K2405BW-BK	240/208	500/375	2.1/1.8	27"	6.5
	3K2407BW-BK	240/208	750/563	3.1/2.7	3 ft.	8
	4K2410BW-BK	240/208	1000/750	4.2/3.7	4 ft.	10.5
	5K2412BW-BK	240/208	1250/938	5.2/4.5	5 ft.	13
	6K2415BW-BK	240/208	1500/1125	6.3/5.5	6 ft.	15
	8K2420BW-BK	240/208	2000/1500	8.3/7.2	8 ft.	19
277V	8K2424BW-BK	240/208	2400/1800	10.0/8.7	8 ft.	19
	2K2403BW-BK	277	500	1.8	27"	6.5
	3K2405BW-BK	277	750	2.7	3 ft.	8
	4K2407BW-BK	277	1000	3.6	4 ft.	10.5
	5K2410BW-BK	277	1250	4.5	5 ft.	13
	6K2412BW-BK	277	1500	5.4	6 ft.	15
	8K2415BW-BK	277	2000	7.2	8 ft.	19
	8K2418BW-BK	277	2400	9.0	8 ft.	19

Ordering Information *Low Density: 187 Watts per foot Replace suffix BW with A for optional almond color.

	MODEL	VOLTS	WATTS	AMPS	LENGTH	SHIP WEIGHT lbs
	2K2405BW-BK	208	375	1.8	27"	6.5
	3K2407BW-BK	208	563	2.7	3 ft.	8
	4K2410BW-BK	208	750	3.6	4 ft.	10.5
	5K2412BW-BK	208	938	4.5	5 ft.	13
	6K2415BW-BK	208	1125	5.4	6 ft.	15
	7K2418BW-BK	208	1313	6.3	7 ft.	19
	8K2420BW-BK	208	1500	7.2	8 ft.	19
	8K2424BW-BK	208	1800	9.0	8 ft.	19
	2K2403BW-BK	240	375	1.6	27"	6.5
	3K2405BW-BK	240	563	2.3	3 ft.	8
	4K2407BW-BK	240	750	3.1	4 ft.	10.5
	5K2410BW-BK	240	938	3.9	5 ft.	13
	6K2412BW-BK	240	1125	4.7	6 ft.	15
	8K2415BW-BK	240	1500	6.3	8 ft.	19
	8K2418BW-BK	240	1800	7.8	8 ft.	19

Accessories

MODEL	DESCRIPTION	SHIP WEIGHT lbs
BKT1BW-BK	Built-In Thermostat Kit (SPST) - Bright White (5 Pack)	0.6
BKT2BW-BK	Built-In Tamperproof Stat Kit (DPST) - Bright White (5 Pack)	0.6