

# Baseboard Heater K Series



### Model Code:

4	K	24	10	BW	-BK
A	B	C	D	E	F

A: Length  
 B: Series  
 C: Volts  
 D: Watts (375 to 2400)  
 E: Color (BW) Bright White (A) Almond  
 F: Backwire Design

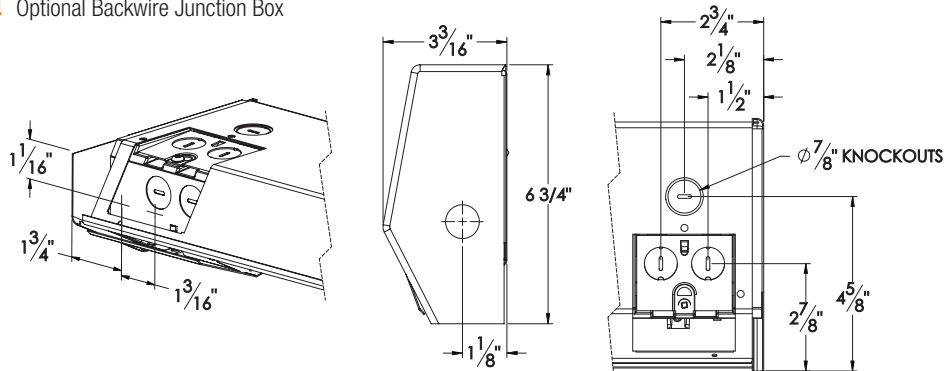


- Aluminum ribbon fin element
- Full length safety cutout
- Crushproof element
- Natural convection heat
- Back wire design
- Built-in clamps coming soon
- Baked enamel finish
- Dent resistant die form cover
- 120, 208, 240 or 277 volts
- Standard color: bright white (optional almond color)
- 1-year limited warranty

## The NEW EZ-Connect K Series Baseboard Heater

With the innovation of the all new EZ-Connect™ Quicker Installing back-wire design, contractors all agree; installation has never been faster! This new design allows the convenience of wiring the heater prior to mounting onto the wall. Simply make the electrical connection, secure the back-wire cover plate with the integral strain relief onto the back of the heater and then mount the heater onto the wall. It's that easy! No need to remove the front cover during installation. This cuts installation time in half. **V-Effect™ Airflow Design since 1958!** For the last 60 years, King baseboards have featured V-Effect™ Airflow Design, which increases airflow draw and adds incredible impact resistance to the front cover. The asymmetrical V-shaped front cover acts in the same way a wing creates lift, to draw the hot air out of the heater. This efficient use of natural aero-dynamics increases the air thrust from the heater, more efficiently warming the room. In addition, the V-shape adds rugged cover strength and limits furniture from a 100 % blockage of the heater.

### Dimensional Data Optional Backwire Junction Box



## Engineering Specifications

Contractor shall supply and install K Series electric convection baseboard heaters manufactured by King Electrical Mfg. Company of the wattage, voltage and length indicated on the plans.

### Construction:

- The heater shall take room air in the bottom (lower front) and discharge it through the top front.
- The heater back, bottom, and top shall be fabricated from electro-galvanized 22 gauge steel. Front panels shall be fabricated from 22 gauge electro-galvanized steel, ribbed longitudinally for extra strength and have center support to resist impact loads.
- The heater casing shall have modern rounded ends and corners to provide a smooth appearance, finished with a baked enamel.
- The heater shall be provided with a continuous capillary sensor tube for thermal protection, extending the full length of the heating element, rated at 175° F, and be a fail-safe type.

- The heater shall have a 44 cubic inch junction box at both ends, furnished with five 1/2" knockouts located on the back, bottom, and side with EZ-Connect™ Back-wire with integral Strain Relief.
- Heater elements shall consist of high quality 80% Nickel and 20% Chromium alloy corrosion-resistant wire completely surrounded by Magnesium Oxide and enclosed in a rust-resistant sheath. Ribbon aluminum finning shall be compression welded to the sheathed element to provide chimney-type flue for heat transfer.
- Heaters shall be supplied with a one year limited warranty.

### Rating and Approval:

- The heaters shall be available in ratings from 375 through 1,500 Watts at 120 Volts, and 375 to 2,400 Watts at 208-240 and 277 Volts.
- The heaters shall be available in 187 or 250 Watts per lineal foot.
- cULus (E29778)

# Baseboard Heater K Series

**Ordering Information** Standard models Add suffix BW for bright white color and A for optional almond color.

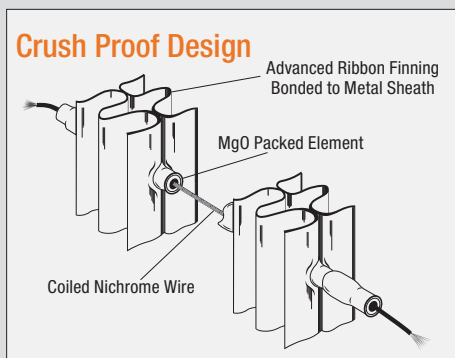
	MODEL	VOLTS	WATTS	AMPS	LENGTH	SHIP WEIGHT lbs
<b>120V</b>	2K1205-BK	120	500	4.2	27"	6.5
	3K1207-BK	120	750	6.3	3 ft.	8
	4K1210-BK	120	1000	8.3	4 ft.	10.5
	5K1212-BK	120	1250	10.4	5 ft.	13
	6K1215-BK	120	1500	12.5	6 ft.	15
<b>208V</b>	2K2005-BK	208	500	2.4	27"	6.5
	3K2007-BK	208	750	3.6	3 ft.	8
	4K2010-BK	208	1000	4.8	4 ft.	10.5
	5K2012-BK	208	1250	6.0	5 ft.	13
	6K2015-BK	208	1500	7.2	6 ft.	15
<b>240V</b>	8K2020-BK	208	2000	9.6	8 ft.	19
	8K2024-BK	208	2400	11.5	8 ft.	19
	2K2405-BK	240/208	500/375	2.1/1.8	27"	6.5
	3K2407-BK	240/208	750/563	3.1/2.7	3 ft.	8
	4K2410-BK	240/208	1000/750	4.2/3.7	4 ft.	10.5
<b>277V</b>	5K2412-BK	240/208	1250/938	5.2/4.5	5 ft.	13
	6K2415-BK	240/208	1500/1125	6.3/5.5	6 ft.	15
	8K2420-BK	240/208	2000/1500	8.3/7.2	8 ft.	19
	8K2424-BK	240/208	2400/1800	10.0/8.7	8 ft.	19
	2K2403-BK	277	500	1.8	27"	6.5
	3K2405-BK	277	750	2.7	3 ft.	8
	4K2407-BK	277	1000	3.6	4 ft.	10.5
	5K2410-BK	277	1250	4.5	5 ft.	13
	6K2412-BK	277	1500	5.4	6 ft.	15
	8K2415-BK	277	2000	7.2	8 ft.	19
	8K2418-BK	277	2400	9.0	8 ft.	19

**Ordering Information** \*Low Density: 187 Watts per foot Add suffix BW for bright white color and A for optional almond color.

	MODEL	VOLTS	WATTS	AMPS	LENGTH	SHIP WEIGHT lbs
	2K2405-BK	208	375	1.8	27"	6.5
	3K2407-BK	208	563	2.7	3 ft.	8
	4K2410-BK	208	750	3.6	4 ft.	10.5
	5K2412-BK	208	938	4.5	5 ft.	13
	6K2415-BK	208	1125	5.4	6 ft.	15
	8K2420-BK	208	1500	7.2	8 ft.	19
	8K2424-BK	208	1800	9.0	8 ft.	19
	2K2403-BK	240	375	1.6	27"	6.5
	3K2405-BK	240	563	2.3	3 ft.	8
	4K2407-BK	240	750	3.1	4 ft.	10.5
	5K2410-BK	240	938	3.9	5 ft.	13
	6K2412-BK	240	1125	4.7	6 ft.	15
	8K2415-BK	240	1500	6.3	8 ft.	19
	8K2418-BK	240	1800	7.8	8 ft.	19

## Factory Installed Options

ADD SUFFIX	DESCRIPTION	SHIP WEIGHT lbs
BW	Bright White Color	0
A	Almond Color	0
-HAL	High Altitude Limit	N/A



# Baseboard Heater Accessories K & CB Series

**Accessories** \* Add suffix (-A) for optional Almond finish

MODEL	UPC	DESCRIPTION	SHIP WEIGHT lbs
BKC-BW	11474	Corner Connector - Bright White, inside cover	1.5
BKR120-BW	11494	Duplex Cover Plate (includes 120V receptacle) - Bright White (See below)	0.5
BKLT120-BW*	11481	Load Transfer Cover Plate (Heat/Cool/Off) 120V - Bright White	0.5
BKLT240-BW*	11483	Load Transfer Cover Plate (Heat/Cool/Off) 240V - Bright White	0.5
BKCB1-BW	11532	3-3/4" Relay Control Box - Bright White	1.5
BKCB2-BW	11534	7-1/8" Dual Relay Control Box - Bright White	3.0
BKT1BW	11484	Built-In Thermostat Kit (SPST) - Bright White (Available in 5 Packs)	0.6
BKT1BW-TP	11542	Built-In Tamperproof Stat Kit (SPST) - Bright White (Available in 5 Packs)	0.3
BKT2BW	11488	Built-In Thermostat Kit (DPST) - Bright White (Available in 5 Packs)	0.5
BKT2BW-TP	11544	Built-In Tamperproof Stat Kit (DPST) - Bright White (Available in 5 Packs)	0.6
-HAL	N/A	High Altitude Limit for Baseboards used over 7000 feet	N/A
BKT-TIMER3HR-BW	11487	3 Hour spring wound timer/wire leads 16 amp/250 Vac. 15 Amp/125 Vac.	0.6

\*Requires BKCB1 Control box, order separately.

**Shield Options** \* Specify Color: Almond or White NON Cancel-able - NON Returnable item (NCNR)

MODEL	UPC	DESCRIPTION	SHIP WEIGHT lbs
SHIELD-33"	10290	Heater Shield for 27" Baseboard	6
SHIELD-42"	10291	Heater Shield for 3' Baseboard	7
SHIELD-54"	10292	Heater Shield for 4' Baseboard	8.5
SHIELD-66"	10293	Heater Shield for 5' Baseboard	10
SHIELD-78"	10294	Heater Shield for 6' Baseboard	11
SHIELD-102"	10295	Heater Shield for 8' Baseboard	14

**Cover Options** \* Specify Color: Almond or White NON Cancel-able - NON Returnable item (NCNR)

MODEL	UPC	DESCRIPTION	SHIP WEIGHT lbs
BB-18ga Cover 2'	52054	18 Gauge Cover for 27" Baseboard	1.5
BB-18ga Cover 3'	52056	18 Gauge Cover for 3' Baseboard	2
BB-18ga Cover 4'	52058	18 Gauge Cover for 4' Baseboard	2.6
BB-18ga Cover 5'	52060	18 Gauge Cover for 5' Baseboard	3.65
BB-18ga Cover 6'	52062	18 Gauge Cover for 6' Baseboard	4
BB-18ga Cover 8'	52064	18 Gauge Cover for 8' Baseboard	5.3

## Thermostats, Options & Accessories

BKR120-A



BKT1BW



BKT1TP



BKLT240\*



\*Shown with box

BKCB1



BKT-TIMER3HR-BW



Heater Shield

