

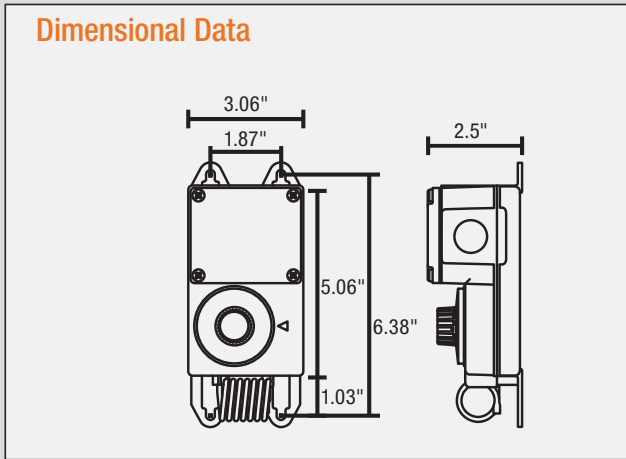
N.E.M.A. 4X Thermostats TF115/TRF115/TH109



**TF115 NEMA 4X
Industrial Control**



**TH109 NEMA 4X
Industrial Control**



- One control for heating & cooling, makes use centralized & easy.
- Large, visible dial, making set point temperatures clear.
- UL listed & CSA certified.
- Rugged, weather resistant enclosure, enabling placement most anywhere.
- Tolerates moist conditions, performs despite water spray, high humidity, airborne contaminates & moderately corrosive conditions.
- Enclosures comply with N.E.C. Article 547, giving code compliance peace-of-mind.
- Built from corrosion resistant materials, allowing long life & reliable performance in most demanding climates.

Ordering Information

MODEL	UPC	TYPE	VOLTS	AMPS	TEMP. RANGE
TF115	19150	N.E.M.A. 4X 3-wire Heating or Cooling Thermostat - Single Pole, Double Throw	120/240/277 (480)	25	40°F-100°F
TH109	00000	N.E.M.A. 4X 4-wire Heating or Cooling Thermostat - Single Pole, Double Throw	120/240/277 (480)	25	40°F-100°F

Specifications

Amperage:

Full load -25 Amps at 120/240/277 (5A at 480) VAC

Control: One stage heat or cool

Switch: single pole double throw

Construction: 2-piece weather resistant plastic enclosure and stainless steel exposed parts.

Ground: Leadwire

Listing: U.L., C.S.A. & N.E.M.A.

Temp: 40° - 100°F (4°C - 38°C)

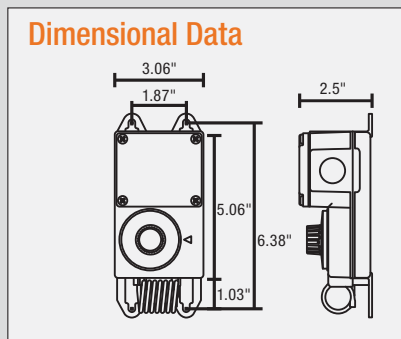
• N.E.M.A. 4X enclosure complies with N.E.C. Article 547 when used with appropriate watertight connections.

• Rugged weather-resistant enclosure made of corrosion resistant materials for long life.
• One control for both heating and cooling applications

• Low mass, high surface area of stainless steel coiled sensor provides rapid response to temperature change.
• Multi-positional mounting offers flexibility in either new or existing installations.



**TRF115-005 NEMA 4X
Industrial Control**



Ordering Information

MODEL	UPC	TYPE	VOLTS	AMPS	TEMP. RANGE
TRF115-00519150		Freeze Protection Thermostat - Single Pole, Double Throw	120/208/240 (480)	25	0°F-120°F

Specifications

Amperage:

Full load -25 Amps at 120/208/240 (5A at 480) VAC

Control: One stage heat or cool

Switch: single pole double throw

Construction: 2-piece weather resistant plastic enclosure and stainless steel exposed parts.

Ground: Leadwire

Listing: U.L., C.S.A. & N.E.M.A.

Temp: 0° - 120°F (-17.78°C - 48.8°C)

• N.E.M.A. 4X enclosure complies with N.E.C. Article 547 when used with appropriate watertight connections.

• Rugged weather-resistant enclosure made of corrosion resistant materials for long life.
• One control for both heating and cooling applications

• Low mass, high surface area of stainless steel coiled sensor provides rapid response to temperature change.
• Multi-positional mounting offers flexibility in either new or existing installations.