

transformer relays

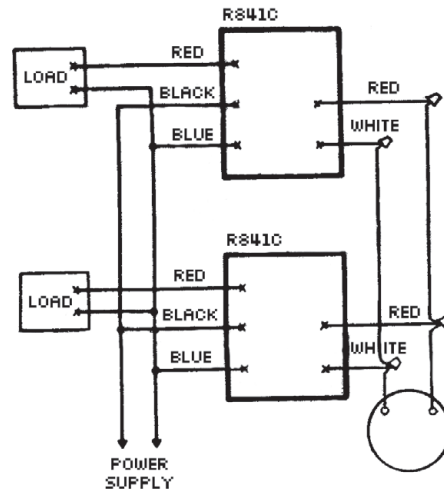
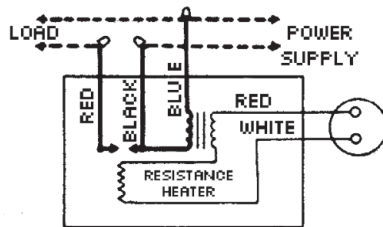
R841C & R841E



R841C1227

MODEL	UPC #093319 PART #	TYPE	AMPS
R841C1227	13000	Single Pole 240V Silent Relay	22
R841E1068	13005	Double Pole 240V Silent Relay	44

R841C INTERNAL SCHEMATIC AND CONNECTION DIAGRAM.



TYPICAL WIRING DIAGRAM SHOWING CONNECTIONS FOR TWO R841C RELAYS USED WITH ONE TWO-WIRE LOW VOLTAGE THERMOSTAT. SET THERMOSTAT HEATER AT 0.4 AMP.

