

# Commercial Radiant Heater RH Series



### Model Code:

RH 33 B 1 B 25 W  
A B C D E F G

- A: Series
- B: Length in Inches
- C: Housing Color  
B-Black, S-Stainless
- D: Lamp Quantity
- E: Volts= A=120, B=208 C=240,  
D=277, G=480, H=575
- F: Wattage
- G: Lamp Color= W=Clear R=Ruby



- Black powder-coat aluminized steel housing
- Optional stainless steel housing
- 0° to 45° adjustable brackets included
- Gold colored anodized aluminum reflectors
- Wide, symmetrical design
- Coiled tungsten filament in sealed quartz tube
- Stainless steel end caps
- Instantaneous heat-up & cool-down
- Clear (W) or optional glare reducing ruby (R) quartz
- ETL Listed for indoor & outdoor applications
- Commercial/Industrial Approval
- Tested to CSA 22.2 #46 - M1988, UL 2021, 1997

## The RH Radiant Heater Series

**RH Series radiant heaters** have the ability to transfer heat to a person or object without heating the surrounding air. Commonly used for indoor and outdoor applications such as restaurant patios, parking garages, work stations, valet waiting areas, vestibules and airport/hospital entrances. RH series heaters are ideal for any application requiring total or supplemental (spot) heating in commercial and industrial areas.

### Ordering Information

LAMP COLOR	LAMP TYPE	BLACK (POWDER COAT)	UPC	VOLTS	WATTS	BTU/H	AMPS	LAMP PART#	WT. (lbs.)
CLEAR (WHITE)	SINGLE LAMP	RH-33B1-B25W	32411	208	2,500	8,530	12.02	EL-072A	19
CLEAR (WHITE)	SINGLE LAMP	RH-33B1-C25W	32412	240	2,500	8,530	10.42	EL-074A	19
CLEAR (WHITE)	DOUBLE LAMP	RH-24B2-B16W	32425	208	3,200	10,919	15.38	EL-071A	20
CLEAR (WHITE)	DOUBLE LAMP	RH-24B2-C16W	32426	240	3,200	10,919	13.33	EL-073A	20
CLEAR (WHITE)	DOUBLE LAMP	RH-33B2-B25W	32428	208	5,000	17,061	24.04	EL-072A	26
CLEAR (WHITE)	DOUBLE LAMP	RH-33B2-C25W	32429	240	5,000	17,061	20.83	EL-074A	26
CLEAR (WHITE)	TRIPLE LAMP	RH-33B3-G25W †	32444	480	7,500	24,909	15.63	EL-076A	32

### Models Available for Special Order Single Lamp Models

LAMP COLOR	BLACK (POWDER COAT)	UPC	STAINLESS STEEL	UPC	VOLTS	WATTS	BTU/H	AMPS	LAMP PART#	WT. (lbs.)
CLEAR (WHITE)	RH-24B1-A16W	32407	RH-24S1-A16W	32453	120	1,600	5,459	13.3	EL-070A	15
CLEAR (WHITE)	RH-24B1-B16W	32408	RH-24S1-B16W	32454	208	1,600	5,459	7.69	EL-071A	15
CLEAR (WHITE)	RH-24B1-C16W	32409	RH-24S1-C16W	32455	240	1,600	5,459	6.67	EL-073A	15
CLEAR (WHITE)	RH-24B1-G16W	32410	RH-24S1-G16W	32456	480	1,600	5,459	3.33	EL-075A	15
CLEAR (WHITE)	RH-33B1-B25W	32411	RH-33S1-B25W	32457	208	2,500	8,530	12.02	EL-072A	19
CLEAR (WHITE)	RH-33B1-C25W	32412	RH-33S1-C25W	32458	240	2,500	8,530	10.42	EL-074A	19
CLEAR (WHITE)	RH-33B1-G25W	32413	RH-33S1-G25W	32459	480	2,500	8,530	5.21	EL-076A	19
CLEAR (WHITE)	RH-46B1-G36W †	32414	RH-46S1-G36W †	32460	480	3,650	12,454	7.6	EL-077A	24
CLEAR (WHITE)	RH-46B1-H38W †	32415	RH-46S1-H38W †	32461	575	3,800	12,966	6.61	EL-078A	24
REDUCED GLARE (RUBY)	RH-24B1-A16R	32416	RH-24S1-A16R	32462	120	1,600	5,459	13.3	EL-080A	15
REDUCED GLARE (RUBY)	RH-24B1-B16R	32417	RH-24S1-B16R	32463	208	1,600	5,459	7.69	EL-081A	15
REDUCED GLARE (RUBY)	RH-24B1-C16R	32418	RH-24S1-C16R	32464	240	1,600	5,459	6.67	EL-083A	15
REDUCED GLARE (RUBY)	RH-24B1-G16R	32419	RH-24S1-G16R	32465	480	1,600	5,459	3.33	EL-085A	15
REDUCED GLARE (RUBY)	RH-33B1-B25R	32420	RH-33S1-B25R	32466	208	2,500	8,530	12.02	EL-082A	19
REDUCED GLARE (RUBY)	RH-33B1-C25R	32421	RH-33S1-C25R	32467	240	2,500	8,530	10.42	EL-084A	19
REDUCED GLARE (RUBY)	RH-33B1-G25R	32422	RH-33S1-G25R	32468	480	2,500	8,530	5.21	EL-086A	19
REDUCED GLARE (RUBY)	RH-46B1-G36R †	32423	RH-46S1-G36R †	32469	480	3,650	12,454	7.6	EL-087A	24
REDUCED GLARE (RUBY)	RH-46B1-H38R †	32424	RH-46S1-H38R †	32470	575	3,800	12,966	6.61	EL-088A	24

† Not Available to Ship UPS, Truck Line Only.

# Commercial Radiant Heater RH Series

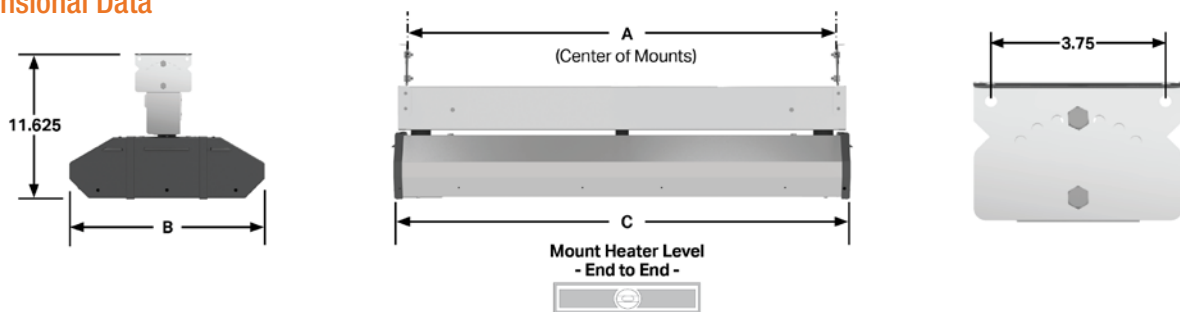
## Dual Lamp Models

LAMP COLOR	BLACK (POWDER COAT)	UPC	STAINLESS STEEL	UPC	VOLTS	WATTS	BTU/H	AMPS	LAMP PART#	WT. (lbs.)
CLEAR (WHITE)	RH-24B2-B16W	32425	RH-24S2-B16W	32471	208	3,200	10,919	15.38	EL-071A	20
CLEAR (WHITE)	RH-24B2-C16W	32426	RH-24S2-C16W	32472	240	3,200	10,919	13.33	EL-073A	20
CLEAR (WHITE)	RH-24B2-G16W	32427	RH-24S2-G16W	32473	480	3,200	10,919	6.67	EL-075A	20
CLEAR (WHITE)	RH-33B2-B25W	32428	RH-33S2-B25W	32474	208	5,000	17,061	24.04	EL-072A	26
CLEAR (WHITE)	RH-33B2-C25W	32429	RH-33S2-C25W	32475	240	5,000	17,061	20.83	EL-074A	26
CLEAR (WHITE)	RH-33B2-G25W	32430	RH-33S2-G25W	32476	480	5,000	17,061	10.42	EL-076A	26
CLEAR (WHITE)	RH-46B2-G36W †	32431	RH-46S2-G36W †	32477	480	7,300	24,909	15.21	EL-077A	32
CLEAR (WHITE)	RH-46B2-H38W †	32432	RH-46S2-H38W †	32478	575	7,600	25,932	13.22	EL-078A	32
REDUCED GLARE (RUBY)	RH-24B2-B16R	32433	RH-24S2-B16R	32479	208	3,200	10,919	15.38	EL-081A	20
REDUCED GLARE (RUBY)	RH-24B2-C16R	32434	RH-24S2-C16R	32480	240	3,200	10,919	13.33	EL-083A	20
REDUCED GLARE (RUBY)	RH-24B2-G16R	32435	RH-24S2-G16R	32481	480	3,200	10,919	6.67	EL-085A	20
REDUCED GLARE (RUBY)	RH-33B2-B25R	32436	RH-33S2-B25R	32482	208	5,000	17,061	24.04	EL-082A	26
REDUCED GLARE (RUBY)	RH-33B2-C25R	32437	RH-33S2-C25R	32483	240	5,000	17,061	20.83	EL-084A	26
REDUCED GLARE (RUBY)	RH-33B2-G25R	32438	RH-33S2-G25R	32484	480	5,000	17,061	10.42	EL-086A	26
REDUCED GLARE (RUBY)	RH-46B2-G36R †	32439	RH-46S2-G36R †	32485	480	7,300	24,909	15.21	EL-087A	32
REDUCED GLARE (RUBY)	RH-46B2-H38R †	32440	RH-46S2-H38R †	32486	575	7,600	25,932	13.22	EL-088A	32

## Triple Lamp Models

LAMP COLOR	BLACK (POWDER COAT)	UPC	STAINLESS STEEL	UPC	VOLTS	WATTS	BTU/H	AMPS	LAMP PART#	WT. (lbs.)
CLEAR (WHITE)	RH-24B3-B16W	32441	RH-24S3-B16W	32487	208	4,800	16,378	23.08	EL-071A	25
CLEAR (WHITE)	RH-24B3-C16W	32442	RH-24S3-C16W	32488	240	4,800	16,378	20	EL-073A	25
CLEAR (WHITE)	RH-24B3-G16W	32443	RH-24S3-G16W	32489	480	4,800	16,378	10	EL-075A	25
CLEAR (WHITE)	RH-33B3-G25W †	32444	RH-33S3-G25W †	32490	480	7,500	24,909	15.63	EL-076A	32
CLEAR (WHITE)	RH-46B3-G36W †	32445	RH-46S3-G36W †	32491	480	10,950	37,636	22.81	EL-077A	40
CLEAR (WHITE)	RH-46B3-H38W †	32446	RH-46S3-H38W †	32492	575	11,400	38,898	19.83	EL-078A	40
REDUCED GLARE (RUBY)	RH-24B3-B16R	32447	RH-24S3-B16R	32493	208	4,800	16,378	23.08	EL-081A	25
REDUCED GLARE (RUBY)	RH-24B3-C16R	32448	RH-24S3-C16R	32494	240	4,800	16,378	20	EL-083A	25
REDUCED GLARE (RUBY)	RH-24B3-G16R	32449	RH-24S3-G16R	32495	480	4,800	16,378	10	EL-085A	25
REDUCED GLARE (RUBY)	RH-33B3-G25R †	32450	RH-33S3-G25R †	32496	480	7,500	24,909	15.63	EL-086A	32
REDUCED GLARE (RUBY)	RH-46B3-G36R †	32451	RH-46S3-G36R †	32497	480	10,950	37,636	22.81	EL-087A	40
REDUCED GLARE (RUBY)	RH-46B3-H38R †	32452	RH-46S3-H38R †	32498	575	11,400	38,898	19.83	EL-088A	40

## Dimensional Data



## Physical Dimensions

MODEL	A	B	C
RH-24-X1	23½"	9.625"	24½"
RH-24-X2	23½"	15¼"	24½"
RH-24-X3	23½"	21"	24½"
RH-33-X1	32½"	9.625"	33½"
RH-33-X2	32½"	15¼"	33½"
RH-33-X3	32½"	21"	33½"
RH-46-X1	45½"	9.625"	46½"
RH-46-X2	45½"	15¼"	46½"
RH-46-X3	45½"	21"	46½"

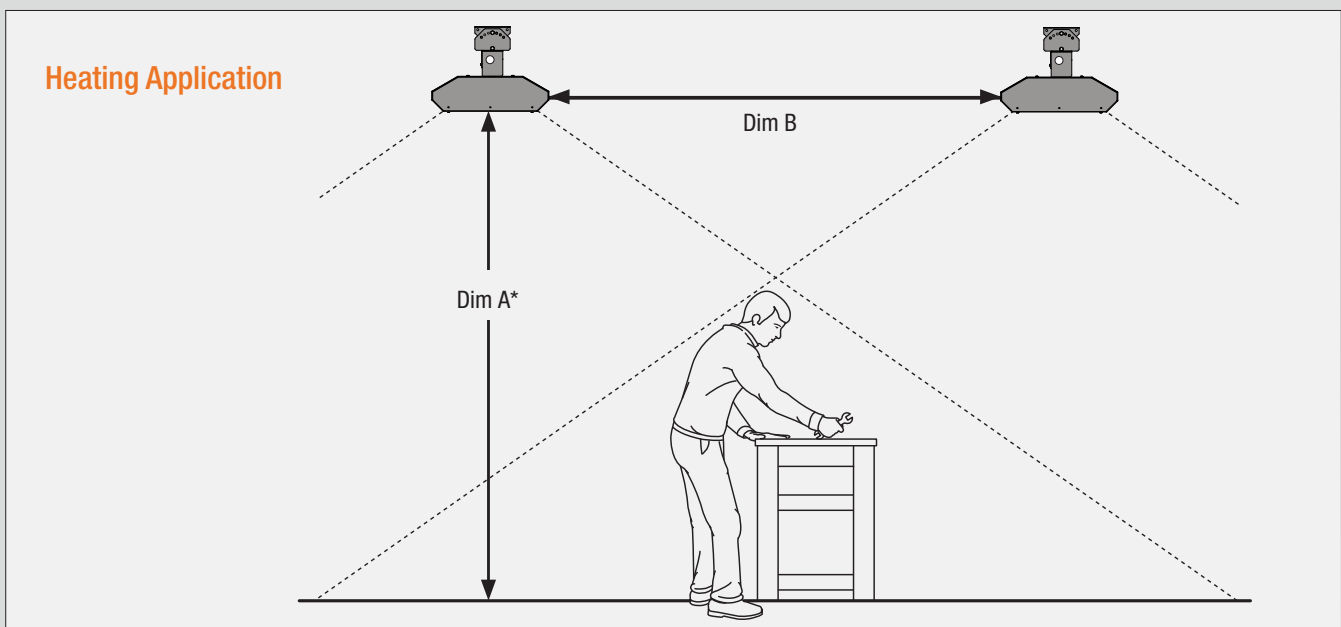
† Not Available to Ship UPS, Truck Line Only.

# Commercial Radiant Heater RH Series

## RH Series Basic Heating Application Chart

SERIES	LAMP QTY.	RECOMMENDED MOUNTING HEIGHT (Dim A)	RECOMMENDED DISTANCE BETWEEN HEATERS (Dim B)
RH-24	1	7 to 9 FT.	2 to 7 FT.
RH-24	2	7 to 9 FT.	3 to 9 FT.
RH-24	3	8 to 10 FT.	4 to 11 FT.
RH-33	1	7 to 9 FT.	3 to 9 FT.
RH-33	2	8 to 10 FT.	4 to 11 FT.
RH-33	3	8 to 10 FT.	5 to 13 FT.
RH-46	1	8 to 10 FT.	4 to 11 FT.
RH-46	2	10 to 14 FT.	5 to 13 FT.
RH-46	3	10 to 15 FT.	6 to 15 FT.

\*Clearance to combustibles published in the RH Series Installation, Operation, Maintenance and Parts Manuals and on safety labels must be maintained at all times. Factory recommended mounting heights are listed as a guideline. If infrared heaters are mounted too low or too high, they may result in discomfort or lack of heat.



## Replacement Lamp Elements

MODEL	UPC	VOLTS	WATTS	FOR USE WITH	LAMP LENGTH	LAMP COLOR	WEIGHT
EL-070A	32610	120	1,600	A16W	21"	CLEAR (WHITE)	2 lbs
EL-071A	32611	208	1,600	B16W	20"	CLEAR (WHITE)	2 lbs
EL-072A	32612	208	2,500	B25W	30"	CLEAR (WHITE)	3 lbs
EL-073A	32613	240	1,600	C16W	21"	CLEAR (WHITE)	2 lbs
EL-074A	32614	240	2,500	C25W	30"	CLEAR (WHITE)	3 lbs
EL-075A	32615	480	1,600	G16W	21"	CLEAR (WHITE)	2 lbs
EL-076A	32616	480	2,500	G25W	30"	CLEAR (WHITE)	3 lbs
EL-077A	32617	480	3,650	G36W	43"	CLEAR (WHITE)	4 lbs
EL-078A	32618	575	3,800	H38W	43"	CLEAR (WHITE)	4 lbs
EL-080A	19231	120	1,600	A16R	21"	REDUCED GLARE (RUBY)	2 lbs
EL-081A	19232	208	1,600	B16R	21"	REDUCED GLARE (RUBY)	2 lbs
EL-082A	19233	208	2,500	B25R	30"	REDUCED GLARE (RUBY)	3 lbs
EL-083A	19234	240	1,600	C16R	21"	REDUCED GLARE (RUBY)	2 lbs
EL-084A	19235	240	2,500	C25R	30"	REDUCED GLARE (RUBY)	3 lbs
EL-085A	19236	480	1,600	G16R	21"	REDUCED GLARE (RUBY)	2 lbs
EL-086A	19237	480	2,500	G25R	30"	REDUCED GLARE (RUBY)	3 lbs
EL-087A	19238	480	3,650	G36R	43"	REDUCED GLARE (RUBY)	4 lbs
EL-088A	19239	575	3,800	H38R	43"	REDUCED GLARE (RUBY)	4 lbs

# Commercial Radiant Heater RH Series

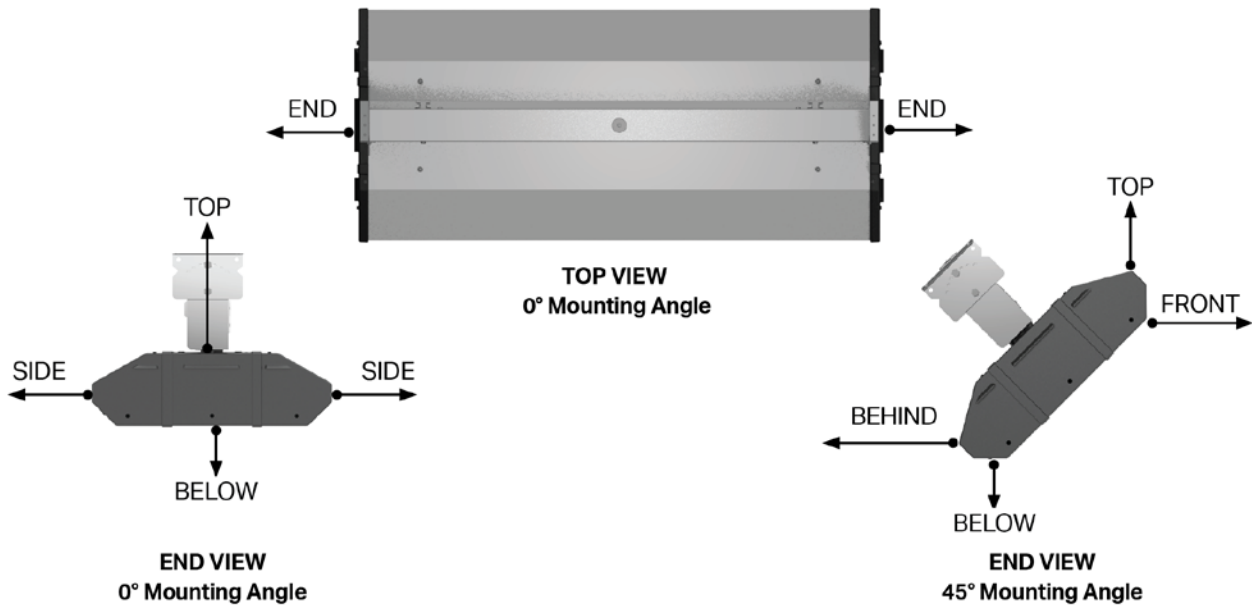
## Clearance to Combustibles in Inches

Length	Mounting Angle	Side		End	Top	Below
		Front	Behind			
<b>Single Element</b>						
24"	0°	16 (407)	16 (407)	12 (305)	6 (153)	56 (1423)
33"						
46"	45°	47 (1194)	4 (102)	12 (305)	10 (254)	40 (1016)
<b>Double Element</b>						
24"	0°	28 (712)	28 (712)	26 (661)	6 (153)	86 (2185)
33"						
46"	45°	86 (2185)	4 (102)	26 (661)	10 (254)	86 (2185)
<b>Triple Element</b>						
24"	0°	31 (788)	31 (788)	34 (864)	9 (229)	105 (2667)
33"						
46"	45°	105 (2667)	4 (102)	34 (864)	10 (254)	105 (2667)

Heaters mounted on an angle between 0° and 45° must maintain clearances posted for 0° or 45° whichever is greater.

**NOTE:** Ensure that building materials with a low heat tolerance (i.e. awnings, fabrics, plastics, sprinklers, insulation, etc.) are protected against degradation. This may require the heater to be mounted at a distance in excess of the published clearances to combustibles. Contact the material manufacturer for specific details.

## Clearance to Combustibles





# Commercial Radiant Heater RH Series

## Accessories

\*Highlighted models are in stock, others are available for special order.

MODEL	UPC	DESCRIPTION	WEIGHT
EL-1WG33	32576	Wire guard fits 33" single element	4 lbs
EL-2WG24	32578	Wire guard fits 24" double element	4 lbs
EL-2WG33	32579	Wire guard fits 33" double element	5 lbs
EL-3WG33	32582	Wire guard fits 33" triple element	7 lbs
EL-1FR33	32585	Recessed mount fits 33" single element, black finish	7 lbs
EL-2FR24	32587	Recessed mount fits 24" double element, black finish	7 lbs
EL-2FR33	32588	Recessed mount fits 33" double element, black finish	10 lbs
EL-1FR33-SS	31003	Recessed mount fits 33" single element, stainless steel	7 lbs
EL-2FR24-SS	31004	Recessed mount fits 24" double element, stainless steel	7 lbs
EL-2FR33-SS	31006	Recessed mount fits 33" double element, stainless steel	10 lbs
SMWC-36A	32597	Variable heat controller 208/240 Volt; 15 Amp. 3600 Watts max	5 lbs
EL-1WG24	32575	Wire guard fits 24" single element	3 lbs
EL-1WG46	32577	Wire guard fits 46" single element	5 lbs
EL-2WG46	32580	Wire guard fits 46" double element	6 lbs
EL-3WG24	32581	Wire guard fits 24" triple element	6 lbs
EL-3WG46	32583	Wire guard fits 46" triple element	8 lbs
EL-1FR24	32584	Recessed mount fits 24" single element	5 lbs
EL-1FR46	32586	Recessed mount fits 46" single element	13 lbs
EL-2FR46	32589	Recessed mount fits 46" double element	15 lbs
EL-3FR24	32590	Recessed mount fits 24" triple element	16 lbs
PLQ	32593	Clearance Safety Limit Sign. 24 ga. aluminum 10" x 7". Sign is designed to be hung or adhered at clearance to combustible limit. Repeats clearance warnings.	1 lb
CE-40-24	32594	Contactor with enclosures. Ideal switching device for use with other control equipment. NEMA 1 Enclosures. Magnetic contactor with Load rating up to 600V Max., 3-Pole, 40 amps. 24 volt coil. Overload protection must be additionally provided.	8 lbs
CE-60-24	32595	Contactor with enclosures. Ideal switching device for use with other control equipment. NEMA 1 Enclosures. Magnetic contactor with Load rating up to 600V Max., 3-Pole, 60 amps. 24 volt coil. Overload protection must be additionally provided.	14 lbs
SMWC-18	32596	Variable heat controller 120 Volt; 15 Amp. 1800 Watts max.	3 lbs
TH-1A66	32605	Heater thermostat with 40-85°F range. Double line break when positive off. For use on heaters up to 277V. 22 amps at 120 or 240 VAC non-inductive; 18 amps at 277 VAC non-inductive. Common thermostat when amperage permits. Do Not use with contactor panels	2 lbs
VHC-3	32606	Variable heat controller suitable for up to a 3kW of infrared heater at 208-240V single phase supply. Integral ON/OFF switch. Fully adjustable power setting. High reliability triac used. Must be mounted in a protected area.	2 lbs
MS-3	32607	Motion sensor utilizes passive infrared technology to detect heat radiation of moving human bodies and will activate for a user-determined time period (2-18 mins.) Suitable for 2.5kW-3kW at 208V-240V. Manual ON/OFF override. Waterproof (IP55). For wall or ceiling mount.	1 lb
TC-6	32608	Push button timer control. Suitable for 5kW-6kW of infrared heaters at 208-240V single phase supply. Electronic soft start - extends lamp life. Tamper-proof Push Button. Fully adjustable time delay from 5 to 70 minutes. Red LED indicator when active. Waterproof (IP55 rated).	2 lbs