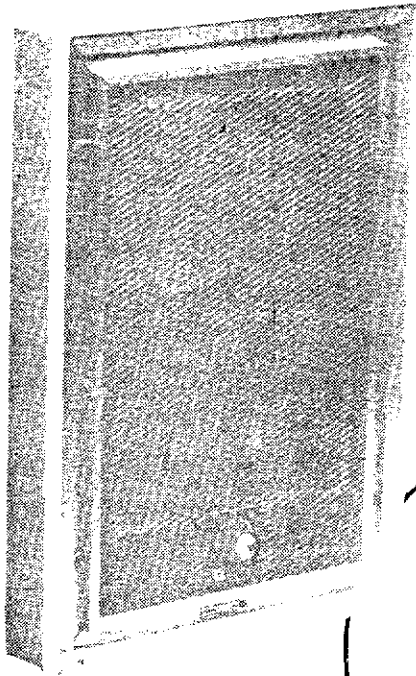
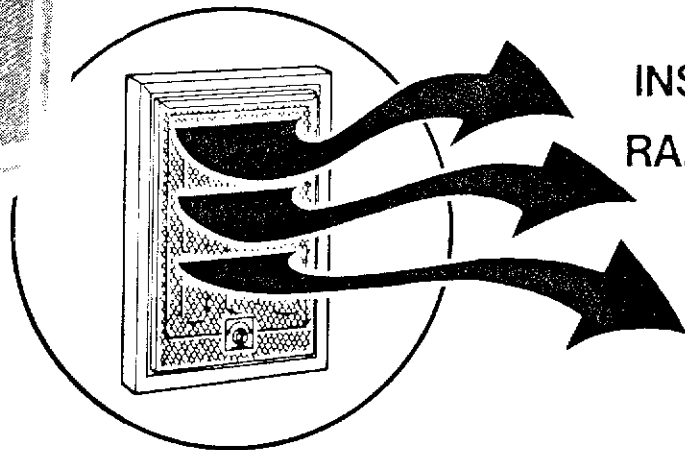


RW SERIES

slim line **BATHROOM
HEATER**



New contemporary styled bathroom heater offers automatic comfortable warmth in small areas. Decorative chrome grill. Long life steel sheathed element, safety temperature limit for protection and fully automatic single pole thermostat means dependable performance.



**INSTANT
RADIANT
HEAT**



king Radiant Bath Convactor

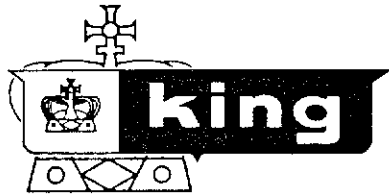
specifications

MODEL	WATTS	BTU	VOLTS	WT.
RW1225	250	853	120	5
RW1250	500	1706	120	5
RW1275	750	2559	120	5
RW12100	1000	3413	120	5
RW2425	250	853	240	5
RW2450	500	1706	240	5
RW2475	750	2559	240	5
RW24100	1000	3413	240	5

Grill is Chrome Plated Steel - Trim is Anodized Aluminum
All Heaters have Built in Thermostats

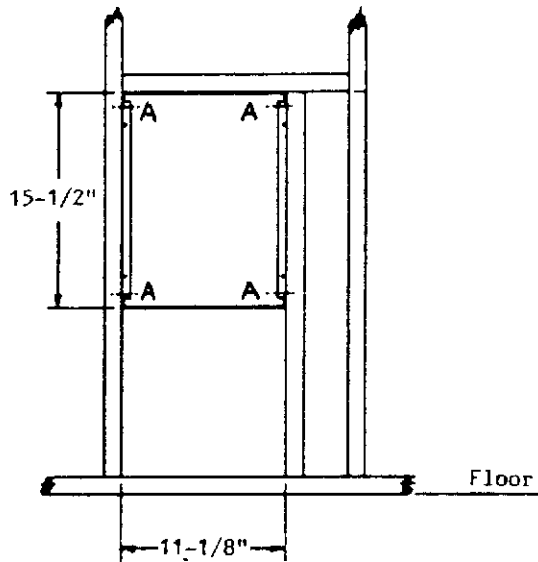
***SPECIFY SURFACE OR RECESS MOUNTING WHEN ORDERING ***

King Electrical Manufacturing Co. • 9131 10th Ave. South, Seattle, WA 98108
(206) 762-0400



RW SERIES
slim line BATHROOM
HEATER

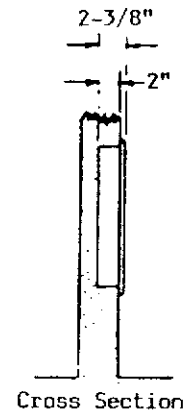
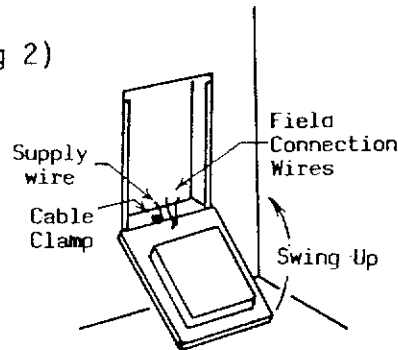
INSTALLATION INSTRUCTIONS



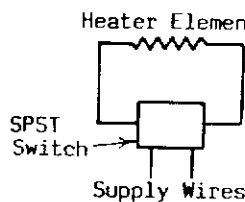
(Fig 1)

RECESSED MOUNTING

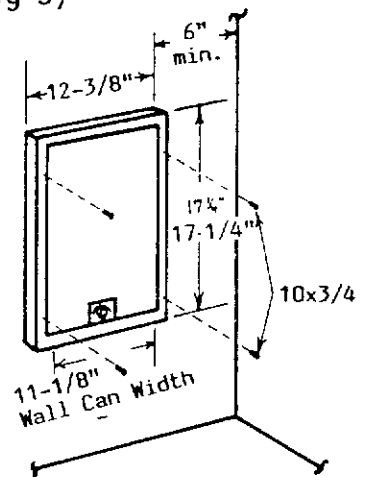
(Fig 2)



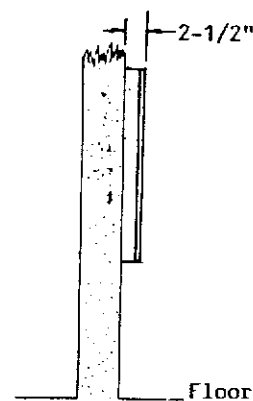
Wiring Diagram



(Fig 3)



Surface Mounting Information



1. Remove grill assembly from heater can by moving 4 screws at top and bottom. Be sure field wires do not bind in J-Box.

2. Set heater box in wall as shown in figure 1 or on wall as shown in figure 4. Secure at A.

3. Place grill assembly as shown in figure 2. Connect supply wires in J-Box. Take up slack in J-Box to prevent wires from contacting the thermostat or heater connections.

Use AWG No. 14 wire or larger suitable for 75° C. All field wiring must be contained in the J-Box.

4. Replace grill assembly by swinging assembly up as shown in figure 2. Replace 4 mounting screws as shown in figure 3.